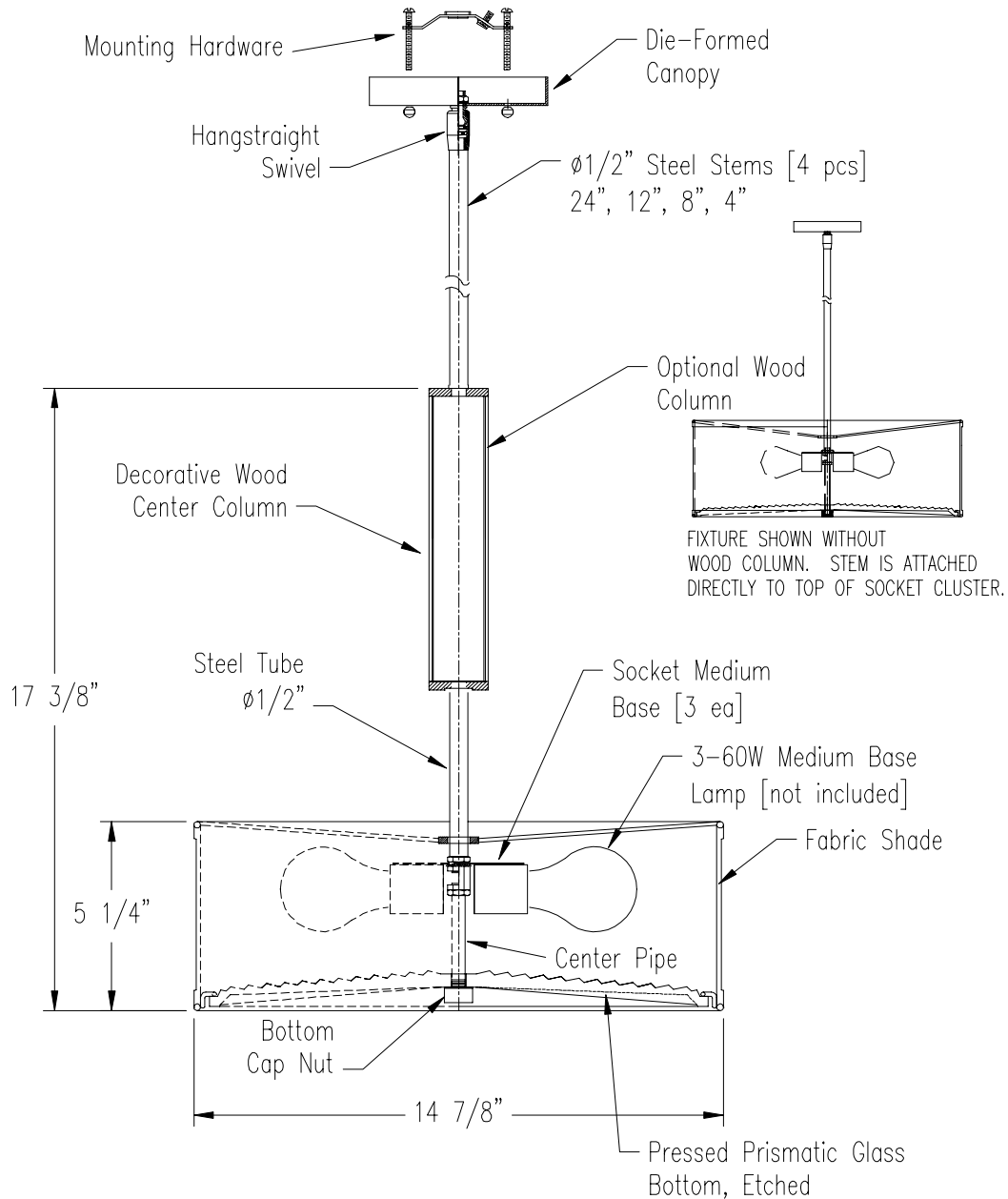


Specification Sheet

Pendant

Model: F1823-36 Satin Nickel



Shade: Vanilla Fabric
 Glass: Etched Prismatic
 Finish: Satin Nickel with Optional Wood Column
 Width: 14-7/8" Height: 17-3/8" Overall: 67-3/8"
 Lamps: 3 – 60W Medium Base (Not Included)
 Labels: cULus Listed. Suitable for Dry Location.