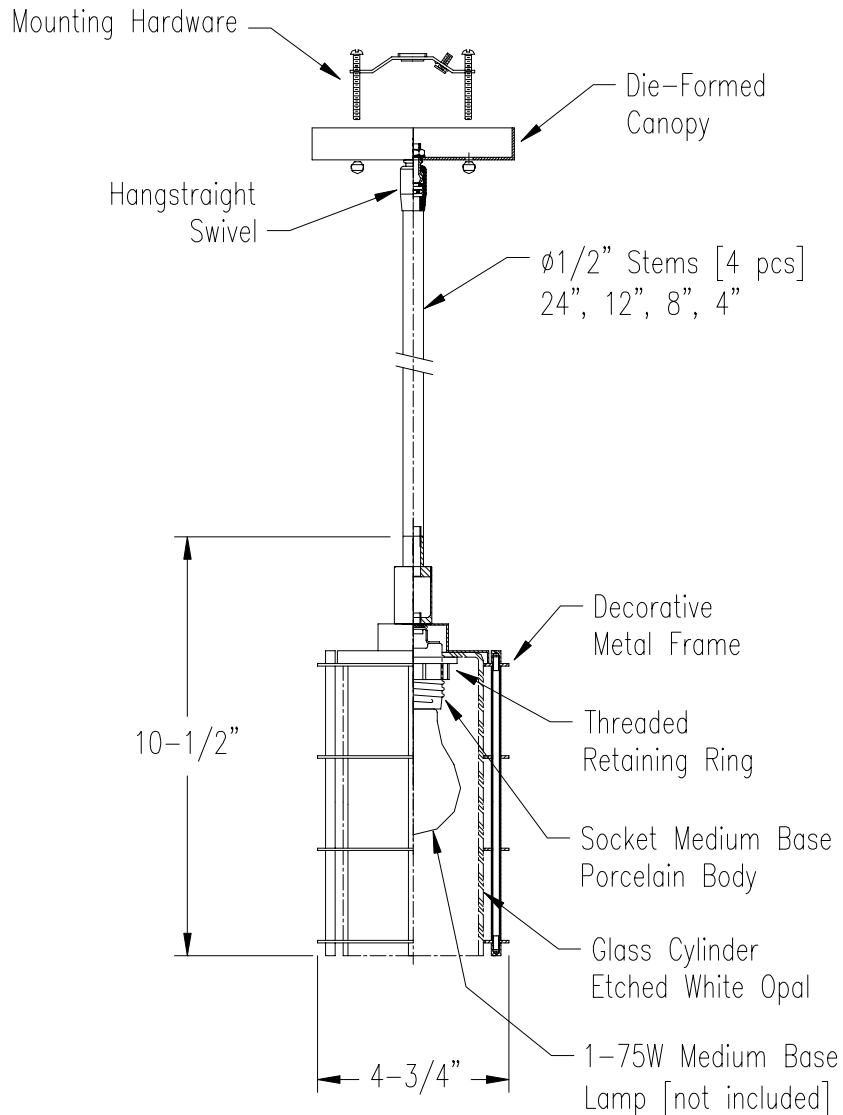


Specification Sheet

Mini Pendant

Model: **F1543-62 Metallic Silver**
F1543-68 Deep Bronze



Glass: Etched White Opal

Metal Finishes: Metallic Silver (-62)
 Deep Bronze (-68)

Height: 10-1/2" Width: 4-3/4" Overall Length: 60-1/2"

Lamps: one 75 watt Medium Base (not included)

Labels: cULus Listed. Suitable for Dry Locations.