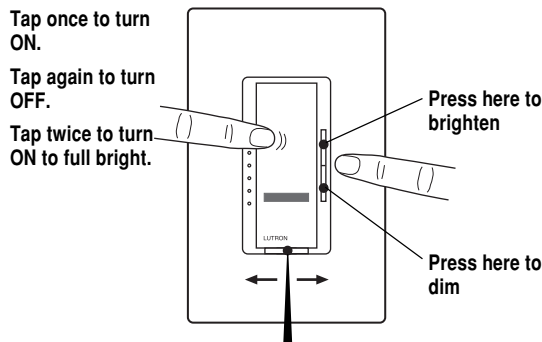


Operation of Spacer System™ Dimmer and Accessory Dimmer

Basic Operation



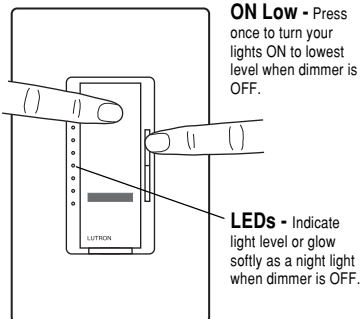
IMPORTANT NOTICE:
 FASS™ - Front Accessible Service Switch - to replace bulb, power may be conveniently removed by sliding FASS switch to the left.
For any procedure other than routine lamp replacement, power must be disconnected at the main electrical panel.

Power Failure Memory - Light(s) return to level prior to power failure.

Advanced Features

Fade to OFF - Press and hold to activate delayed fade to OFF. As tap switch is held, LEDs will begin to flash. Each flashing LED represents 10 seconds of delay before dimmer fades to OFF (up to 60 seconds).

Locked-in Preset - Tap 4 times quickly to set the current light level as the "Locked-in" preset (the LEDs will blink twice indicating the preset was locked). When the dimmer is turned ON via this button it will always go to this "Locked-in" light level rather than the previous light level. To unlock the preset, tap the switch 4 times quickly (the LEDs will blink three times indicating the preset was unlocked).



Troubleshooting

Symptom	Possible Cause
Light does not turn on.	<ul style="list-style-type: none"> Front Accessible Service Switch (FASS™) on the dimmers are switched to the left side (See Step 7). Light bulb(s) burned out. Breaker is off or tripped.
Light turns on and Spacer System™ Dimmer works, but Accessory Dimmer does not work.	<ul style="list-style-type: none"> Blue wire on Accessory Dimmer not connected to the same color wire as the blue wire on Spacer System™ Dimmer (See Step 6).
Infrared Wireless Remote Control does not operate the Spacer System™ Dimmer.	<ul style="list-style-type: none"> Batteries are installed incorrectly. Batteries are dead.

Worldwide Technical and Sales Assistance

If you have questions concerning the installation or operation of this product, call the **Lutron Technical Support Center**. Please provide exact model number when calling.
 (800) 523-9466 (U.S.A., Canada, and the Caribbean)
 Other countries call (610) 282-3800
 Fax (610) 282-3090
 Visit our web site at www.lutron.com

Limited Warranty

Lutron will, at its option, repair or replace any unit that is defective in materials or manufacture within one year after purchase. For warranty service, return unit to place of purchase or mail to Lutron at 7200 Suter Rd., Coopersburg, PA 18036-1299, postage pre-paid.

THIS WARRANTY IS IN LIEU OF ALL OTHER EXPRESS WARRANTIES, AND THE IMPLIED WARRANTY OF MERCHANTABILITY IS LIMITED TO ONE YEAR FROM PURCHASE. THIS WARRANTY DOES NOT COVER THE COST OF INSTALLATION, REMOVAL OR REINSTALLATION, OR DAMAGE RESULTING FROM MISUSE, ABUSE, OR DAMAGE FROM IMPROPER WIRING OR INSTALLATION. THIS WARRANTY DOES NOT COVER INCIDENTAL OR CONSEQUENTIAL DAMAGES. LUTRON'S LIABILITY ON ANY CLAIM FOR DAMAGES ARISING OUT OF OR IN CONNECTION WITH THE MANUFACTURE, SALE, INSTALLATION, DELIVERY, USE, REPAIR OR REPLACEMENT OF THE UNIT SHALL NEVER EXCEED THE PURCHASE PRICE OF THE UNIT.

This warranty gives you specific legal rights, and you may have other rights which vary from state to state. Some states do not allow the exclusion or limitation of incidental or consequential damages, or limitations on how long an implied warranty lasts, so the above limitation may not apply to you.

This product may be covered under one or more of the following U.S. patents: 4,835,343; 5,248,919; 5,399,940; 5,909,087; 6,169,377; DES 353,798; and corresponding foreign patents. U.S. and foreign patents pending. Lutron, Claro, and Spacer are registered trademarks and Spacer System, FASS, and The Hand are trademarks of Lutron Electronics Co., Inc.
 © 2001 Lutron Electronics Co., Inc.

Lutron Electronics Co., Inc.
 7200 Suter Road
 Coopersburg, PA 18036-1299, U.S.A.
 Made and printed in the U.S.A. 6/01 P/N 030-710 Rev. A



Installation Instructions for Multi-Location Control

Please Leave for Occupant

Read all instructions completely before installation.

Important Notes

- Caution:** To avoid overheating and possible damage to other equipment, do not use to control receptacles, fluorescent lighting, motor-operated or transformer-supplied appliances.
- Install in accordance with all national and local electrical codes.
- Do not paint front or back of dimmers.
- Do not use where total bulb wattage is less than 60 Watts or greater than the dimmer's capacity.
- Dimmer may not work with dioded lamps (Sylvania Designer 16™ or Philips PAR-16™).
- Operate between 0°C (32°F) and 40°C (104°F).
- Dimmer may feel warm to the touch during normal operation.
- Recommended wallbox depth is 2 1/2" minimum.
- Clean with a *soft* damp cloth only. **Do not use any chemical cleaners.**



Remove Lutron Claro® wallplate from dimmer.
 This will expose dimmer mounting holes and prevent wallplate damage while installing.



Grasp and pull front piece of wallplate.



"The Hand"™ Infrared Wireless Remote Control **will not** operate the Spacer System™ Dimmers. Use Spacer System™ infrared hand-held remote controls only.

For Incandescent/Halogen Light Bulbs
 SPSW-603 600W Dimmer with IR Receiver

For Multi-Location Control
 SPSW-AD Accessory Dimmer

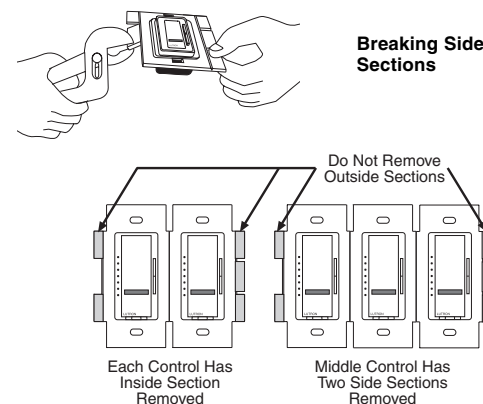
All controls rated at 120VAC, 60Hz 60W minimum

Installation Note

Important: Dimmers used together to create scenes with a Spacer System™ wall mounted scene selector (SPS-5WC) must be installed in a single multigang wallbox with no dividers or barriers between dimmers. Individually mounted wallboxes are not acceptable. For scene programming and functions, refer to the instructions supplied with a Spacer System™ infrared hand-held remote control or wall mounted scene selector.

Multigang Installations

Lutron Claro® wallplates are available in 1 to 6 gang versions. Purchase Claro® multigang wallplates separately. When combining dimmers with other controls in the same wallbox, remove all inner side sections prior to wiring. Using pliers, bend side sections up and down until they break off.

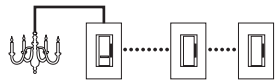


Reduction of the Spacer System™ Dimmer load capacity is required. See table below.

	No sides removed	1 side removed	2 sides removed
SPSW-603	600W	500W	400W
SPSW-AD	8.3A	8.3A	8.3A



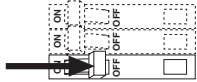
Multi-Location Installation



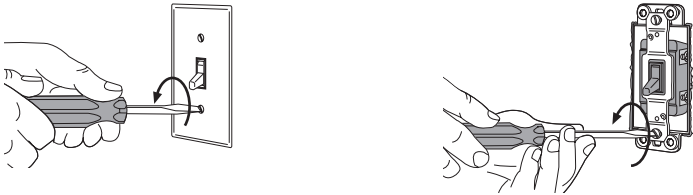
For installations combining dimmers with other controls in a wallbox, refer to Multigang Installations on page 1 before beginning.

✓ **Check off Steps as completed.**

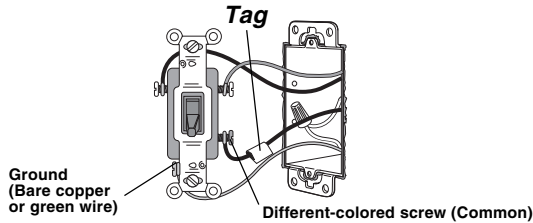
Step 1 Turn power off at circuit breaker panel or remove fuse from fusebox.



Step 2 Remove both wallplates. Pull both switches from wall, but do not remove wires.



Step 3 Tag the wire that is connected to the different colored screw or screw labeled COMMON on each switch (not the green ground screw).



Step 4 Disconnect wires.



Important Wiring Information

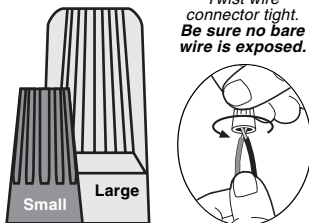
When making wire connections, follow the recommended strip lengths and combinations for the supplied wire connectors. **Note:** Wire connectors provided are suitable for **copper wire only**. For aluminum wire, consult an electrician.

Small:

- Strip insulation 3/8" for 14 AWG wire
- Strip insulation 1/2" for 16 or 18 AWG wire
- Use to join one 14 AWG supply wire with one 16 or 18 AWG control wire.

Large:

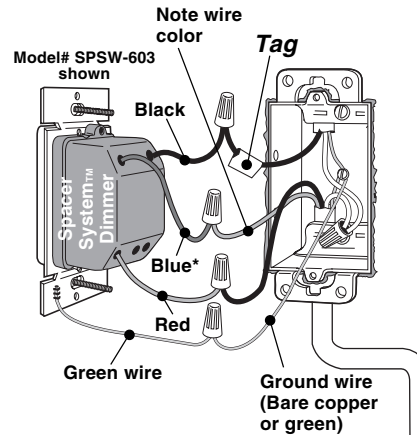
- Strip insulation 1/2" for 10, 12 or 14 AWG wire
- Strip insulation 5/8" for 16 or 18 AWG wire
- Use to join one or two 12 or 14 AWG supply wires with one 10, 12, 14, 16, or 18 AWG control wire.



Step 5 Wire the Spacer System™ Dimmer.

Using the wire connectors provided:

- 5a** **Connect the ground wire:** Connect the **green** ground wire to the **green** or **bare copper** ground wire in the wallbox. If there is no ground wire in your wallbox, contact a licensed electrician.
- 5b** **Connect the black wire:** Connect the **black** wire to the tagged wire removed from the switch.
- 5c** **Connect the red wire:** Connect the **red** to one of the remaining wires removed from the switch.
- 5d** **Connect the blue wire:** Connect the **blue** wire to the remaining wire removed from the switch. (Note wire color: _____).

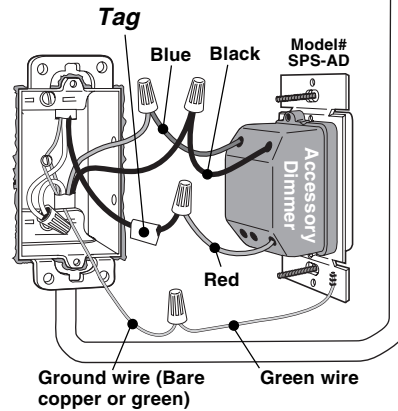


*** NOTE:** To use this dimmer in a single-pole application, cap off the blue wire and connect the black and red wires to the wires removed from the switch.

Step 6 Wiring the Accessory Dimmer.

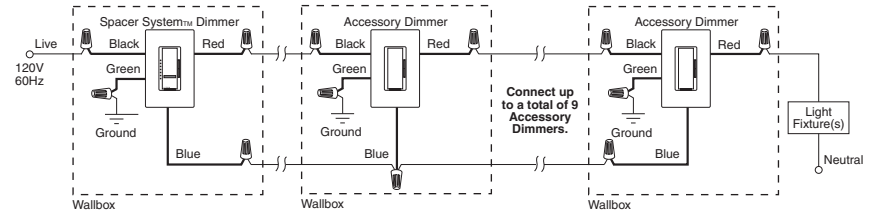
Using the wire connectors provided:

- 6a** **Connect the ground wire:** Connect the **green** ground wire to the **green** or **bare copper** ground wire in the wallbox.
- 6b** **Connect the red wire:** Connect the **red** wire to the tagged wire removed from the switch.
- 6c** **Connect the blue wire:** Connect the **blue** wire to the same color wire connected to the **blue** Spacer System™ Dimmer wire noted in Step 5d.
- 6d** **Connect the black wire:** Connect the **black** wire to the remaining wire removed from the switch.



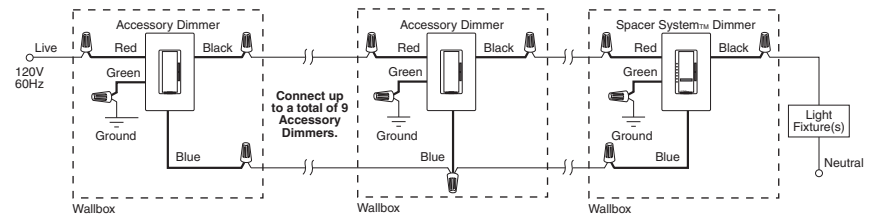
Wiring Diagrams

Dimmer on line side

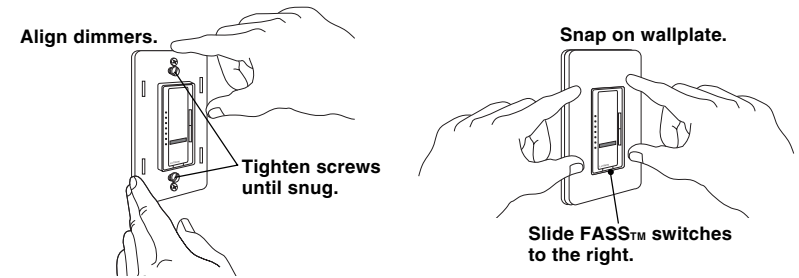


OR

Dimmer on load side



Step 7 Mount and align dimmers. Install Claro® wallplates.



Step 8 Turn power ON.

