

TECHNICAL DATA SHEET -

MODEL: PT630

PARAMOUNT TM by Peerless

Paramount Universal Tilt Wall Mount for 10" to 24" LCD Flat Panel Screens

The new Paramount Universal Tilt Wall Mount is compatible with virtually any 10" to 24" LCD flat panel screens. With a quick and easy installation, this low-profile mount is perfect for tight spaces in the home or commercial environment. The mount has adjustable tilt up to 15° forward and -5° backward. The mount is capable of being mounted on wood studs, concrete, or metal studs (with additional metal stud fasteners). Compatible with VESA 75mm and 100mm mounting patterns.

Features:

- Screen held only 2.11" from wall for ultra-slim installation
- Screen adapter plate simply hooks onto the wall plate for quick and easy installation
- Adjustable up to 15° of forward tilt and up to -5° backward tilt
- Tilt angle can be locked with simple tightening of mounting screws.
- Colors: Gloss Black
- Screen adapter plates included compatible with VESA 75 mm and 100 mm mounting patterns
- Includes hardware for installation to wood studs, concrete, and cinder block

Accessories:

ACC215 - Metal Stud Fastener Kit

Dimensions:

Weight:

1.4 lb (.64 kg)

Shipping weight:

2.2 lb (1 kg)

Maximum Load Capacity:

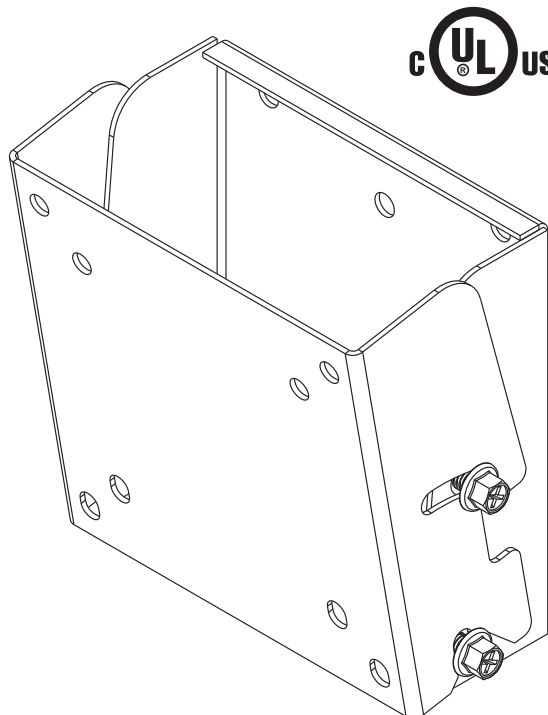
80 lb (36.3 kg)

Shipping Carton Dimensions:

L = 2.44 in (62 mm)

W = 5.44 in (138 mm)

H = 6 in (152 mm)



ARCHITECTS SPECIFICATIONS

The Mount shall be a Peerless model _____ and shall be located where indicated on the plans. Assembly and installation shall be done according to instructions provided by the manufacturer. Mount is made of steel with a scratch resistant epoxy gloss black finish.

Peerless Industries, Inc.

3215 W. North Ave. Melrose Park, IL 60160

708-865-8870 800-865-2112 Fax 708-865-2941

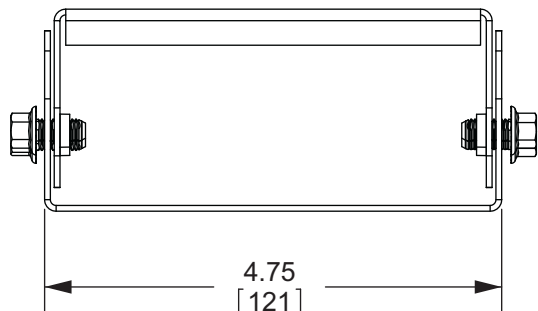
www.peerlessmounts.com

ISSUED: 01-15-08 SHEET NO: 202-9567-1

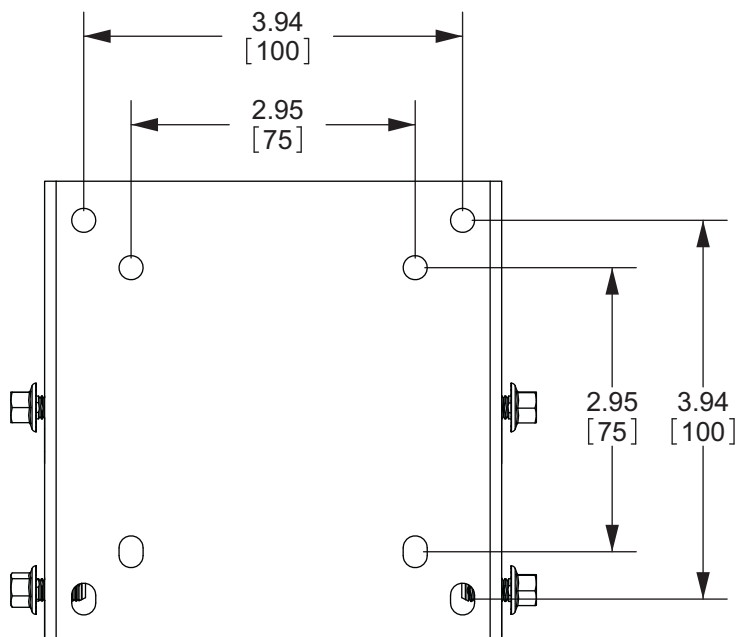
TECHNICAL DATA SHEET -

MODEL: PT630

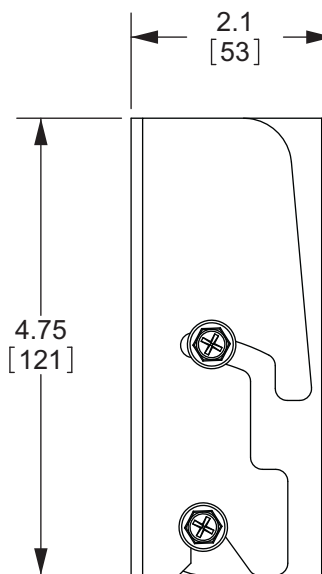
ALL DIMENSIONS = INCH [MM]



TOP VIEW



FRONT VIEW

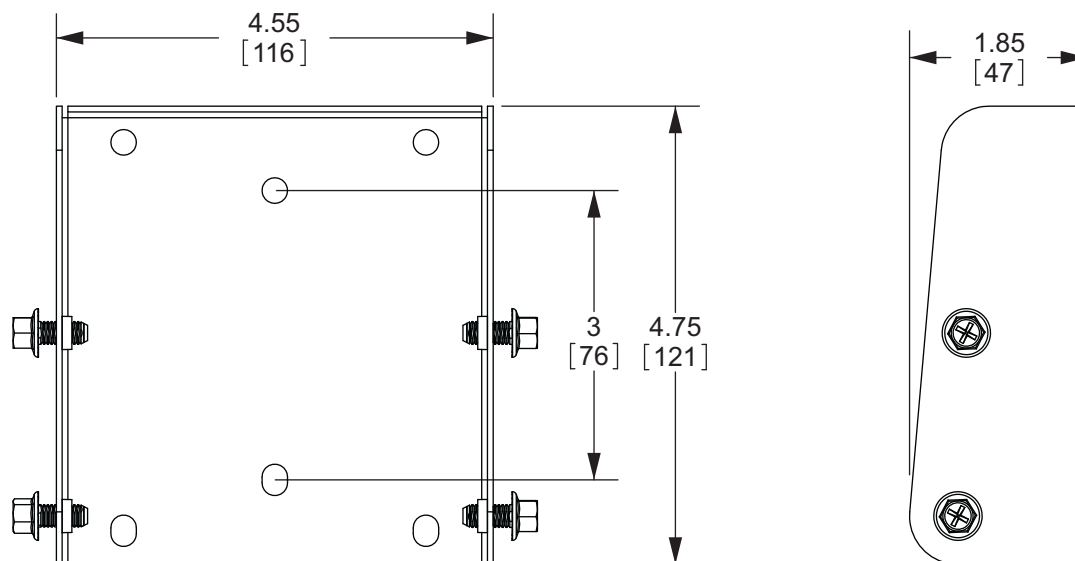


SIDE VIEW

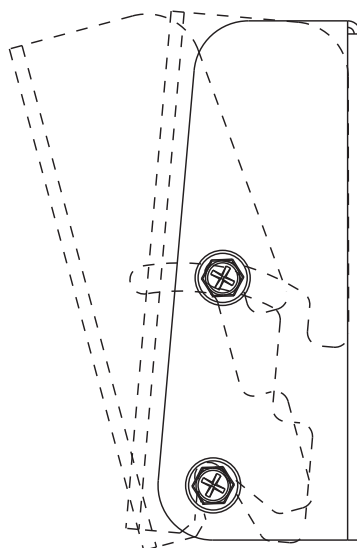
TECHNICAL DATA SHEET -

MODEL: PT630

ALL DIMENSIONS = INCH [MM]



WALL PLATE DETAIL



20° (15° FORWARD / 5° BACK)