

L'EXPRESSION™ 6' WHIRLPOOL, MODEL 60420

60420 L'Expression 6' Bathing Pool

- Center drain
- Acrylic with fiberglass reinforcement
- Textured tub bottom
- Front towel bar in chrome only attached to frame for stability
- Front apron optional
- White only
- 57 gallon capacity

Nominal Dimensions:

72-1/8" x 38" x 23"
(1831 x 965 x 584mm)



L'Expression 6' Bathing Pool

Compliance Certifications -

Meets or Exceeds the Following Specifications:

- ANSI Z124.1 for Plastic Bathtubs
- ASTM E162 for Flammability
- NFPA 258 for Smoke Density

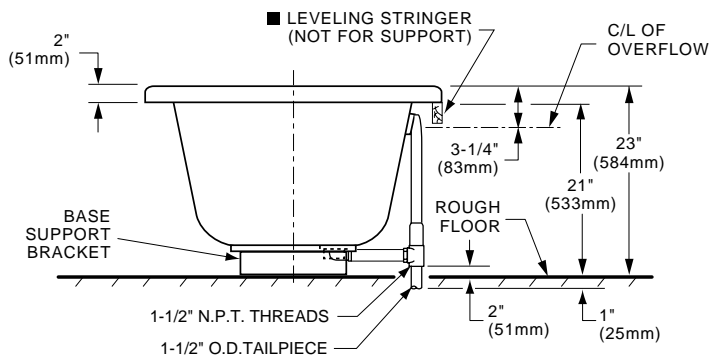
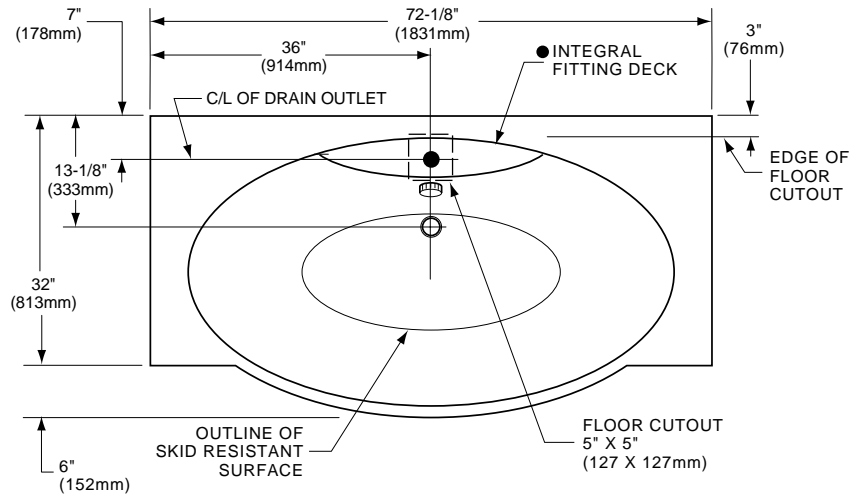
To Be Specified (Required):

- Color: White only
- Bath Filler: (specify finish)
- Rotary Drain (chrome): 85020; or
- Rotary Drain (polished brass): 85022; or
- Rotary Drain (gold): 85023

To Be Specified (Optional):

- L'Expression Apron Panel (specify color): 61420

NOTE: Roughing-in dimensions and product specifications shown on reverse side of page.



GENERAL SPECIFICATIONS FOR 60440/60420 WHIRLPOOL/BATHING POOL/AIR SYSTEMS	
INSTALLED SIZE	72-1/8 x 38 x 23 In. (1832 x 965 x 584mm)
WEIGHT	130 Lbs. (59 Kg.)
WEIGHT w/WATER	605 Lbs. (272 Kg.)
GAL. TO OVERFLOW	57 Gal. (216 L)
WHIRLPOOL MIN. OPERATING VOL.	38 Gal. (144 L)
BATHING WELL AT SUMP	18 x 38 In. (457 x 965mm)
BATHING WELL AT RIM	29 x 61-1/2 In. (736 x 1562mm)
WATER DEPTH TO OVERFLOW	14 In. (356mm)
FLOOR LOADING (PROJECTED AREA)	32 Lbs./Sq.Ft. (154 Kgs./Sq.m)
PTS.	25.6
CUBE (FT ³)	52.5
WHIRLPOOL ELECTRICAL SPECIFICATIONS	
WHIRLPOOL PUMP	2.1 HP, 14.4 AMPS ,120V.
AIR PUMP	1.0 HP, 6.5 AMPS ,120V.
WHIRLPOOL ONLY-SYSTEM II WHIRLPOOL PUMP	2.1 HP, 15.6 AMPS ,120V.

NOTES:

BATH CAN BE INSTALLED EITHER ABOVE OR BELOW FLOOR LINE AS PIER, ISLAND OR PENINSULA TYPE INSTALLATION. SUMP OF BATH IS SUPPORTED BY INTEGRAL FEET. NO ADDITIONAL SUPPORT REQUIRED. ENCLOSING MATERIALS BY OTHERS.

- IF INSTALLING A DECK-MOUNTED FITTING, BEFORE DRILLING ANY HOLES: CHECK FOR INTERFERENCE WITH CIRCULATING SYSTEM PIPING AND DRAIN OVERFLOW. MOUNTING HOLES DRILLED BY INSTALLER.

- REFER TO INSTALLATION INSTRUCTIONS SUPPLIED WITH WHIRLPOOL FOR ADDITIONAL INFORMATION.

FITTINGS NOT INCLUDED AND MUST BE ORDERED SEPARATELY.

PROVIDE SUITABLE REINFORCEMENT FOR ALL SUPPORTS.

IMPORTANT: Dimensions of fixtures are nominal and may vary within the range of tolerances established by ANSI Standard Z124.1. These measurements are subject to change or cancellation. No responsibility is assumed for use of superseded or voided leaflet.