

L'EXPRESSION™ 6' HYDRO THERAPY BATHING POOL, MODEL 60480

60480 L'Expression 6' Hydro Therapy

Bathing Pool

- Combination whirlpool and bubble system for massage choices to meet your bathing preferences
- 2.0 H.P., variable two speed pump/motor with In-Line Heater
- 6 Multi-directional and individual flow rate adjustable jets in color matched white
- 12 warm air bubble injectors in chrome only
- Deck mounted single control switch with variable speed control, programable purge cycle, and wave effect and timed safety shutoff
- Optional front apron and towel bar
- White only
- 57 gallon capacity



L'Expression 6' Hydro Therapy Bathing Pool

Nominal Dimensions:

72-1/8" x 38" x 23"

(1831 x 965 x 584mm)

Compliance Certifications -

Meets or Exceeds the Following Specifications:

- Underwriters Laboratories - Hydromassage Bathtubs UL 1795
- ASME A112.19.7M for Whirlpool Appliances
- ANSI Z124.1 for Plastic Bathtubs
- ASTM E162 for Flammability
- NFPA 258 for Smoke Density

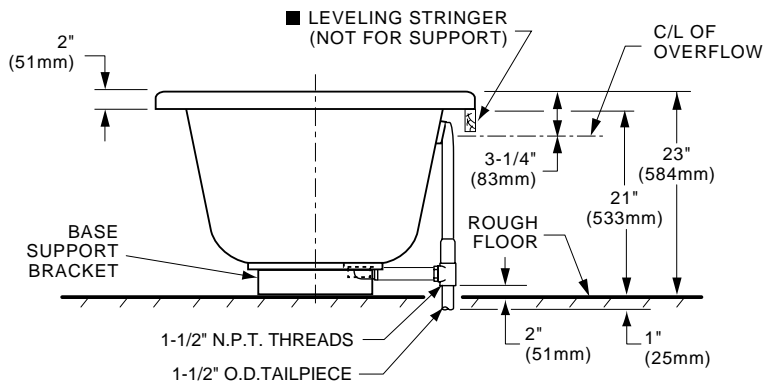
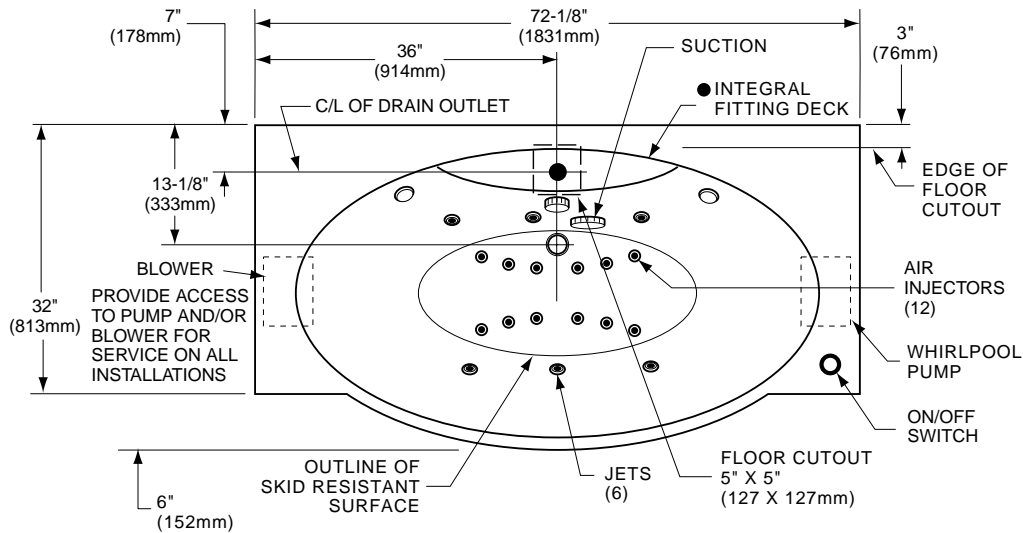
To Be Specified (Required):

- Color: White only
- Bath Filler: (specify finish)
- Rotary Drain (chrome): 85020

To Be Specified (Optional):

- L'Expression Apron Panel: 61420

NOTE: Roughing-in dimensions and product specifications shown on reverse side of page.



GENERAL SPECIFICATIONS FOR 60440/60420 WHIRLPOOL/BATHING POOL/AIR SYSTEMS	
INSTALLED SIZE	72-1/8 x 38 x 23 In. (1832 x 965 x 584mm)
WEIGHT	130 Lbs. (59 Kg.)
WEIGHT w/WATER	605 Lbs. (272 Kg.)
GAL. TO OVERFLOW	57 Gal. (216 L)
WHIRLPOOL MIN. OPERATING VOL.	38 Gal. (144 L)
BATHING WELL AT SUMP	18 x 38 In. (457 x 965mm)
BATHING WELL AT RIM	29 x 61-1/2 In. (736 x 1562mm)
WATER DEPTH TO OVERFLOW	14 In. (356mm)
FLOOR LOADING (PROJECTED AREA)	32 Lbs./Sq.Ft. (154 Kgs./Sq.m)
PTS.	25.6
CUBE (FT ³)	52.5
WHIRLPOOL ELECTRICAL SPECIFICATIONS	
WHIRLPOOL PUMP	2.1 HP, 14.4 AMPS, 120V.
AIR PUMP	1.0 HP, 6.5 AMPS, 120V.
WHIRLPOOL ONLY-SYSTEM II WHIRLPOOL PUMP	2.1 HP, 15.6 AMPS, 120V.

NOTES:

BATH CAN BE INSTALLED EITHER ABOVE OR BELOW FLOOR LINE AS PIER, ISLAND OR PENINSULA TYPE INSTALLATION. SUMP OF BATH IS SUPPORTED BY INTEGRAL FEET. NO ADDITIONAL SUPPORT REQUIRED. ENCLOSING MATERIALS BY OTHERS.

- IF INSTALLING A DECK-MOUNTED FITTING, BEFORE DRILLING ANY HOLES: CHECK FOR INTERFERENCE WITH CIRCULATING SYSTEM PIPING AND DRAIN OVERFLOW. MOUNTING HOLES DRILLED BY INSTALLER.

- REFER TO INSTALLATION INSTRUCTIONS SUPPLIED WITH WHIRLPOOL FOR ADDITIONAL INFORMATION.

FITTINGS NOT INCLUDED AND MUST BE ORDERED SEPARATELY.

PROVIDE SUITABLE REINFORCEMENT FOR ALL SUPPORTS.

IMPORTANT: Dimensions of fixtures are nominal and may vary within the range of tolerances established by ANSI Standard Z124.1. These measurements are subject to change or cancellation. No responsibility is assumed for use of superseded or voided leaflet.

L'EXPRESSION™ 6' WHIRLPOOL, MODEL 60440

60440 L'Expression 6' Whirlpool

- 6 jet system with In-line heater
- Quite forceful performance
- 2.0 H.P. variable two speed pump/motor
- Multi-directional and individual flow rate adjustable jets
- Deck mounted, electronic LOW/HIGH/OFF switch with built-in 20 minute timed safety shutoff
- Acrylic with fiberglass reinforcement
- Color matched jet trim
- White only
- Optional front apron with chrome only towel bar
- 57 gallon capacity



L'Expression 6' Whirlpool

Nominal Dimensions:

72-1/8" x 38" x 23"

(1831 x 965 x 584mm)

Compliance Certifications -

Meets or Exceeds the Following Specifications:

- Underwriters Laboratories - Hydromassage Bathtubs UL 1795
- ASME A112.19.7M for Whirlpool Appliances
- ANSI Z124.1 for Plastic Bathtubs
- ASTM E162 for Flammability
- NFPA 258 for Smoke Density

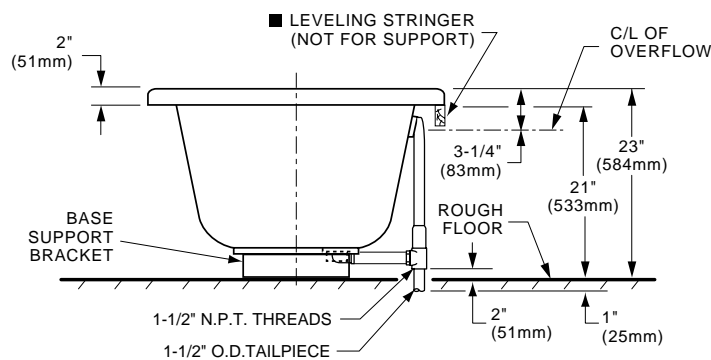
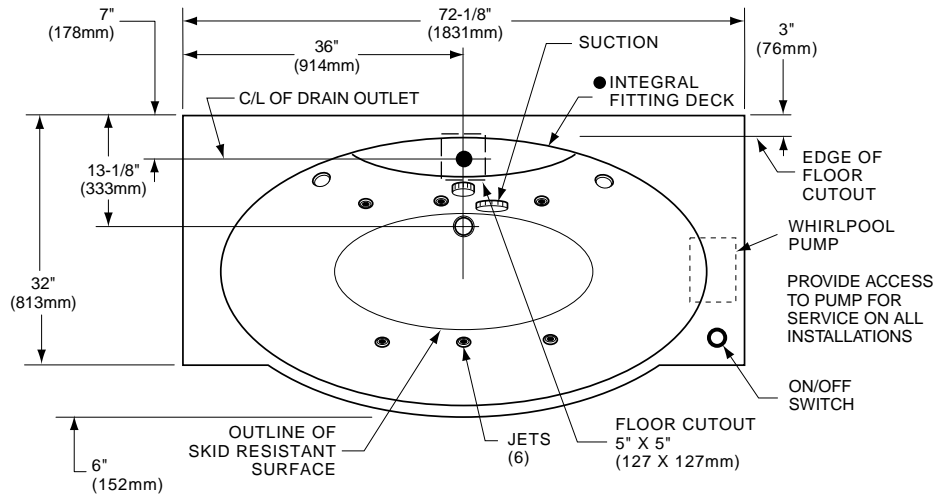
To Be Specified (Required):

- Color: White only
- Bath Filler: (specify finish)
- Rotary Drain (chrome): 85020

To Be Specified (Optional):

- L'Expression Apron Panel: 61420

NOTE: Roughing-in dimensions and product specifications shown on reverse side of page.



GENERAL SPECIFICATIONS FOR 60440/60420 WHIRLPOOL/BATHING POOL/AIR SYSTEMS	
INSTALLED SIZE	72-1/8 x 38 x 23 In. (1832 x 965 x 584mm)
WEIGHT	130 Lbs. (59 Kg.)
WEIGHT w/WATER	605 Lbs. (272 Kg.)
GAL. TO OVERFLOW	57 Gal. (216 L)
WHIRLPOOL MIN. OPERATING VOL.	38 Gal. (144 L)
BATHING WELL AT SUMP	18 x 38 In. (457 x 965mm)
BATHING WELL AT RIM	29 x 61-1/2 In. (736 x 1562mm)
WATER DEPTH TO OVERFLOW	14 In. (356mm)
FLOOR LOADING (PROJECTED AREA)	32 Lbs./Sq.Ft. (154 Kgs./Sq.m)
PTS.	25.6
CUBE (FT ³)	52.5
WHIRLPOOL ELECTRICAL SPECIFICATIONS	
WHIRLPOOL PUMP	2.1 HP, 14.4 AMPS ,120V.
AIR PUMP	1.0 HP, 6.5 AMPS ,120V.
WHIRLPOOL ONLY-SYSTEM II WHIRLPOOL PUMP	2.1 HP, 15.6 AMPS ,120V.

NOTES:

BATH CAN BE INSTALLED EITHER ABOVE OR BELOW FLOOR LINE AS PIER, ISLAND OR PENINSULA TYPE INSTALLATION. SUMP OF BATH IS SUPPORTED BY INTEGRAL FEET. NO ADDITIONAL SUPPORT REQUIRED. ENCLOSING MATERIALS BY OTHERS.

- IF INSTALLING A DECK-MOUNTED FITTING, BEFORE DRILLING ANY HOLES: CHECK FOR INTERFERENCE WITH CIRCULATING SYSTEM PIPING AND DRAIN OVERFLOW. MOUNTING HOLES DRILLED BY INSTALLER.

- REFER TO INSTALLATION INSTRUCTIONS SUPPLIED WITH WHIRLPOOL FOR ADDITIONAL INFORMATION.

FITTINGS NOT INCLUDED AND MUST BE ORDERED SEPARATELY.

PROVIDE SUITABLE REINFORCEMENT FOR ALL SUPPORTS.

IMPORTANT: Dimensions of fixtures are nominal and may vary within the range of tolerances established by ANSI Standard Z124.1. These measurements are subject to change or cancellation. No responsibility is assumed for use of superseded or voided leaflet.

L'EXPRESSION™ 6' AIR MASSAGE BATHING POOL, MODEL 60460

60460 L'Expression 6' Air Massage

Bathing Pool

- 1.0 H.P., warm air blower with variable speed
- 12 chromed plated warm air injected deliver total relaxation
- Deck mounted, electronic LOW/HIGH/OFF switch with programable 24 hour purge
- Variable speed bubble system allows for wave effect
- White only
- 57 gallon capacity

Nominal Dimensions:

72-1/8" x 38" x 23"
(1831 x 965 x 584mm)



L'Expression 6' Air Massage Bathing Pool

Compliance Certifications -

Meets or Exceeds the Following Specifications:

- Underwriters Laboratories - Hydromassage Bathtubs UL 1795
- ASME A112.19.7M for Whirlpool Appliances
- ANSI Z124.1 for Plastic Bathtubs
- ASTM E162 for Flammability
- NFPA 258 for Smoke Density

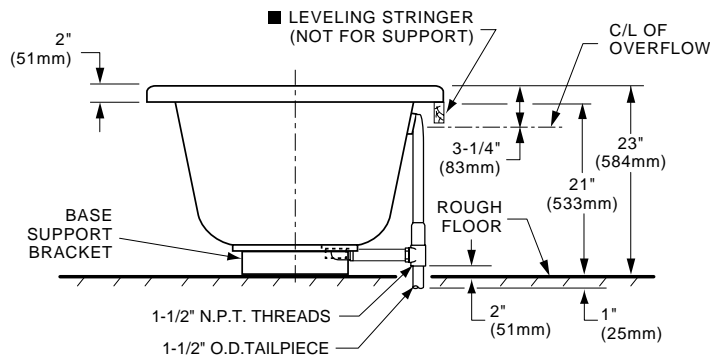
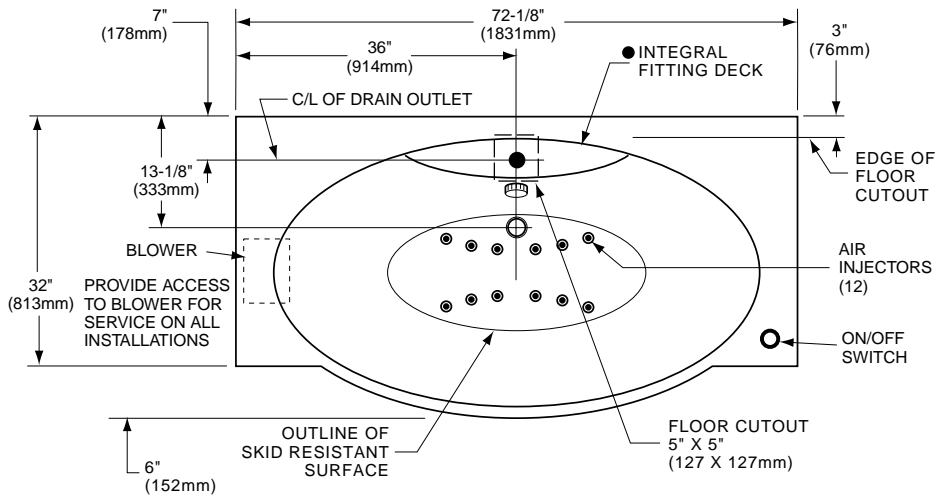
To Be Specified (Required):

- Color: White only
- Bath Filler: (specify finish)
- Rotary Drain (chrome): 85020

To Be Specified (Optional):

- L'Expression Apron Panel: 61420

NOTE: Roughing-in dimensions and product specifications shown on reverse side of page.



GENERAL SPECIFICATIONS FOR 60440/60420 WHIRLPOOL/BATHING POOL/AIR SYSTEMS	
INSTALLED SIZE	72-1/8 x 38 x 23 In. (1832 x 965 x 584mm)
WEIGHT	130 Lbs. (59 Kg.)
WEIGHT w/WATER	605 Lbs. (272 Kg.)
GAL. TO OVERFLOW	57 Gal. (216 L)
WHIRLPOOL MIN. OPERATING VOL.	38 Gal. (144 L)
BATHING WELL AT SUMP	18 x 38 In. (457 x 965mm)
BATHING WELL AT RIM	29 x 61-1/2 In. (736 x 1562mm)
WATER DEPTH TO OVERFLOW	14 In. (356mm)
FLOOR LOADING (PROJECTED AREA)	32 Lbs./Sq.Ft. (154 Kgs./Sq.m)
PTS.	25.6
CUBE (FT ³)	52.5
WHIRLPOOL ELECTRICAL SPECIFICATIONS	
WHIRLPOOL PUMP	2.1 HP, 14.4 AMPS, 120V.
AIR PUMP	1.0 HP, 6.5 AMPS, 120V.
WHIRLPOOL ONLY-SYSTEM II WHIRLPOOL PUMP	2.1 HP, 15.6 AMPS, 120V.

NOTES:

BATH CAN BE INSTALLED EITHER ABOVE OR BELOW FLOOR LINE AS PIER, ISLAND OR PENINSULA TYPE INSTALLATION. SUMP OF BATH IS SUPPORTED BY INTEGRAL FEET. NO ADDITIONAL SUPPORT REQUIRED. ENCLOSING MATERIALS BY OTHERS.

- IF INSTALLING A DECK-MOUNTED FITTING, BEFORE DRILLING ANY HOLES: CHECK FOR INTERFERENCE WITH CIRCULATING SYSTEM PIPING AND DRAIN OVERFLOW. MOUNTING HOLES DRILLED BY INSTALLER.

- REFER TO INSTALLATION INSTRUCTIONS SUPPLIED WITH WHIRLPOOL FOR ADDITIONAL INFORMATION.

FITTINGS NOT INCLUDED AND MUST BE ORDERED SEPARATELY.

PROVIDE SUITABLE REINFORCEMENT FOR ALL SUPPORTS.

IMPORTANT: Dimensions of fixtures are nominal and may vary within the range of tolerances established by ANSI Standard Z124.1. These measurements are subject to change or cancellation. No responsibility is assumed for use of superseded or voided leaflet.