

American Standard

## Installation Instructions

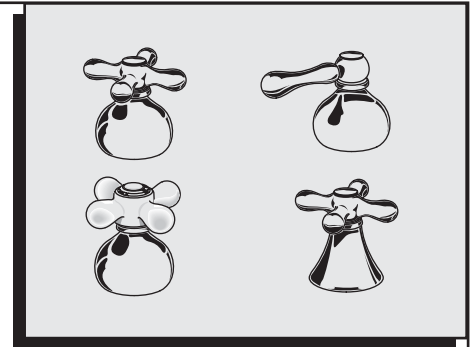
# AMARILIS

## HANDLE KITS

0000.441  
0000.451  
0000.461  
0000.551

Thank you for selecting American-Standard...  
the benchmark of fine quality for over 100 years.

To ensure that your installation proceeds smoothly—  
please read these instructions carefully before you begin.



Certified to comply with ANSI A112.18.1  
U.S. Patent No. D403,750  
M968701 Rev. 1.1

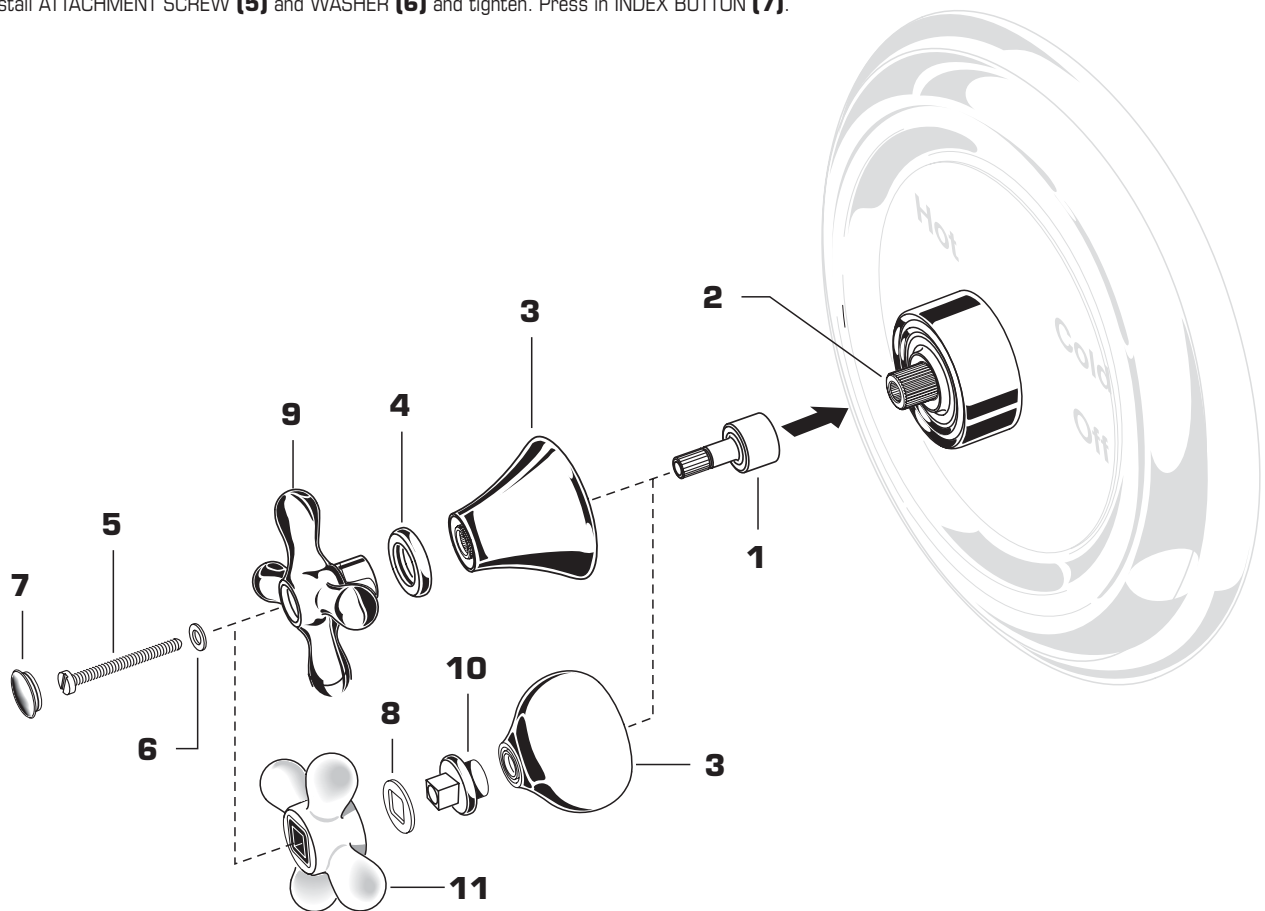
# 1

## INSTALLATION

### CAUTION

Turn off water at  
main supply.

- Turn valve clockwise to "off" position.
- Install STEM ADAPTER (1) on VALVE STEM (2). Push HANDLE BASE (3) onto STEM ADAPTER (1).
- Push DECORATIVE RING (4) onto bottom of HANDLE (9). Select desired handle position and assemble HANDLE (9) to HANDLE BASE (3).
- Install ATTACHMENT SCREW (5) and WASHER (6) and tighten. Press in INDEX BUTTON (7).



### INSTALLATION (PORCELAIN CROSS)

- Turn valve clockwise to "off" position.
- Install STEM ADAPTER (1) on VALVE STEM (2). Push HANDLE BASE (3) onto STEM ADAPTER (1).
- Assemble GASKET (8) onto ADAPTER SLEEVE (10). Push ADAPTER SLEEVE (10) into HANDLE BASE (3).
- Select desired handle position and assemble PORCELAIN HANDLE (11) to ADAPTER SLEEVE (10).
- Install ATTACHMENT SCREW (5) and WASHER (6) and tighten. Press in INDEX BUTTON (7).

# 2

## CARE INSTRUCTIONS:

**DO: SIMPLY RINSE THE PRODUCT CLEAN WITH CLEAR WATER. DRY WITH A SOFT COTTON FLANNEL CLOTH.**

**DO NOT: DO NOT CLEAN THE PRODUCT WITH SOAPS, ACID, POLISH, ABRASIVES, HARSH CLEANERS, OR A CLOTH WITH A COARSE SURFACE.**

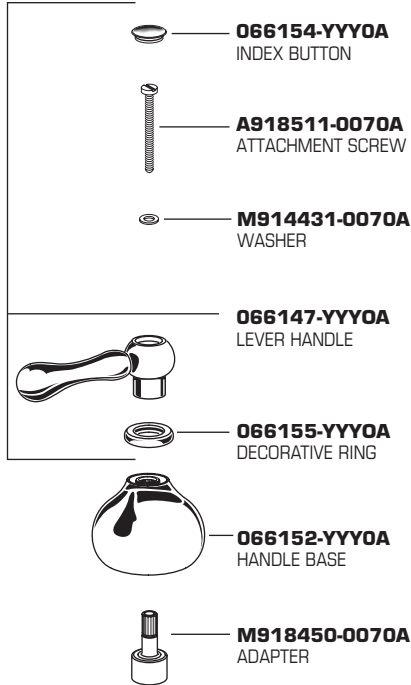
*American Standard*

**AMARILIS**

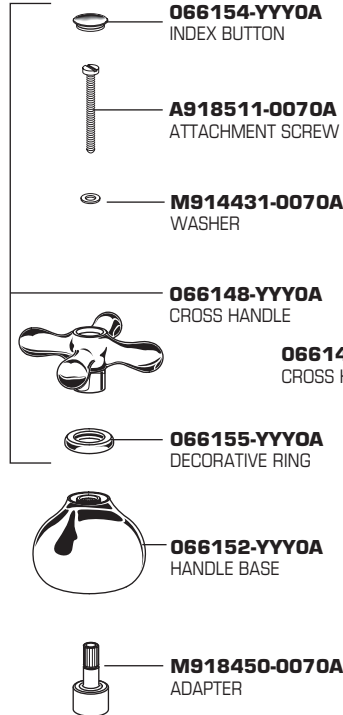
**HANDLE KITS  
MODEL NUMBERS**

**0000.441  
0000.451  
0000.461  
0000.551**

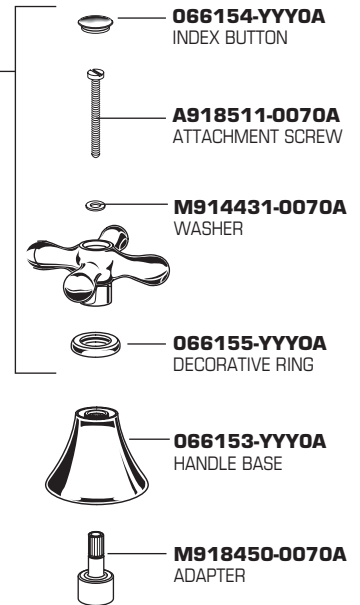
### 0000.441



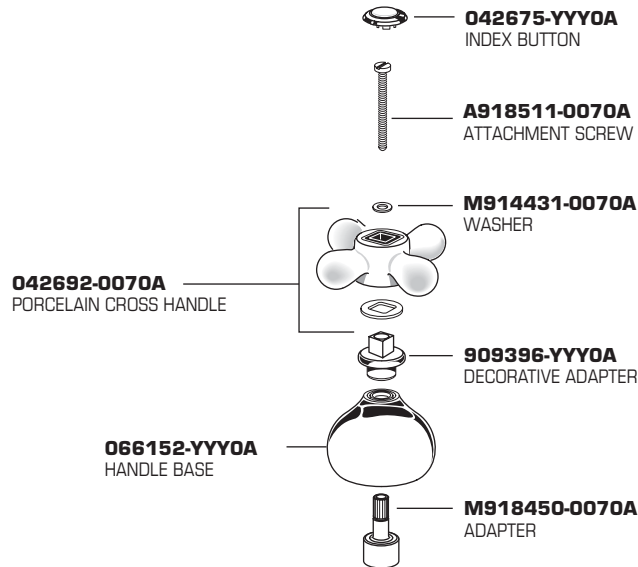
### 0000.451



### 0000.551



### 0000.461



**Replace the "YYY" with appropriate finish code**

CHROME	002
WHITE	020
BLACKNICKEL	062
BLACK SMITH	078
POLISHED BRASS	099
SATIN/CHROME	221
SATIN NICKEL	295
SATIN/BRASS	297
CHROME/BRASS	299



#### HOT LINE FOR HELP

For toll-free information and answers to your questions, call:  
1-800-442-1902  
Weekdays 8:00 a.m. to 6:00 p.m. EST  
IN CANADA 1-800-387-0369 (TORONTO 1-905-306-1093)  
Weekdays 8:00 a.m. to 7:00 p.m. EST  
IN MEXICO 01-800-839-12-00

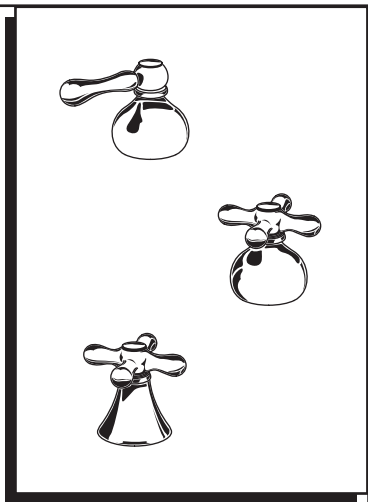
*American Standard*

# AMARILIS

## HANDLE KITS

### Installation Instructions

**0000.452    0000.443**  
**0000.453    0000.552**  
**0000.442    0000.553**



*Thank you for selecting American-Standard...  
the benchmark of fine quality for over 100 years.*

*To ensure that your installation proceeds smoothly—  
please read these instructions carefully before you begin.*

Certified to comply with ANSI A112.18.1M  
US Patent D372299, D968170

M968170 Rev. 1.2



**0000.452 - 2 Hdl Kit**  
**0000.453 - 3 Hdl Kit**



**0000.442 - 2 Hdl Kit**  
**0000.443 - 3 Hdl Kit**



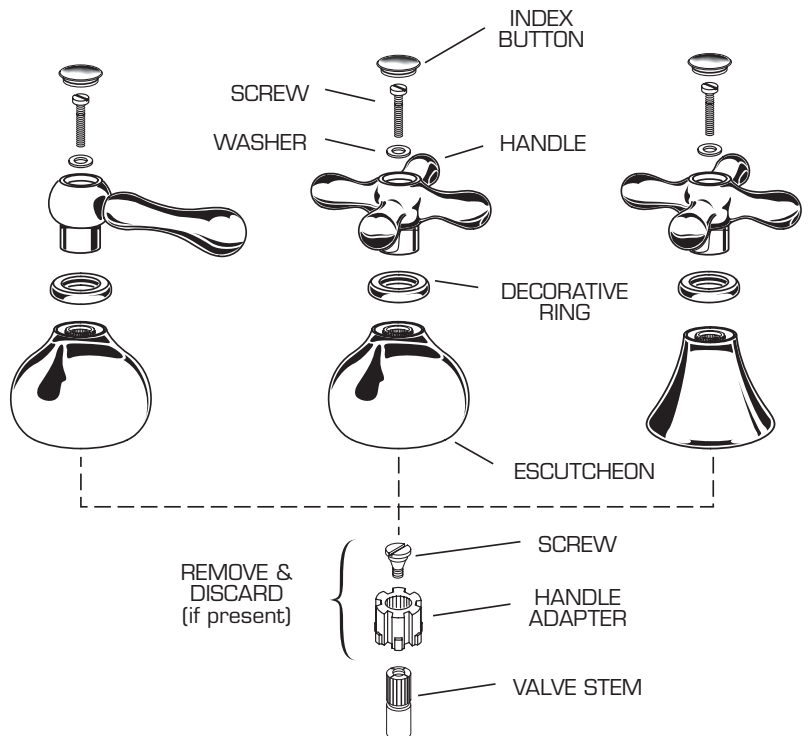
**0000.552 - 2 Hdl Kit**  
**0000.553 - 3 Hdl Kit**

**1**

**CAUTION**

Turn off hot and cold water supplies before beginning.

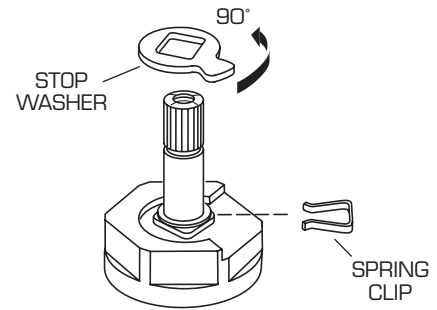
- Turn VALVE to OFF position.
- Remove and discard HANDLE ADAPTER and SCREW—if present on fitting.
- Push ESCUTCHEON onto VALVE STEM.
- Push DECORATIVE RING onto bottom of HANDLE.
- Select desired handle position and assemble HANDLE to ESCUTCHEON.
- Install SCREW and WASHER and tighten.
- Press in INDEX BUTTON.



# 2

## SERVICE

- To change direction of handle rotation, proceed as follows:
  - Turn VALVE to OFF position.
  - Remove INSERT and HANDLE SCREW.
  - Slip HANDLE with ADAPTER off.
  - Remove SPRING CLIP.
  - Lift STOP WASHER, turn 90° and replace.
  - Replace SPRING CLIP.
  - Replace ADAPTER, HANDLE SCREW, and INSERT.



# 3

## CARE INSTRUCTIONS:

**DO: SIMPLY RINSE THE PRODUCT CLEAN WITH CLEAR WATER. DRY WITH A SOFT COTTON FLANNEL CLOTH.**

**DO NOT: DO NOT CLEAN THE PRODUCT WITH SOAPS, ACID, POLISH, ABRASIVES, HARSH CLEANERS, OR A CLOTH WITH A COARSE SURFACE.**

*American Standard*

**AMARILIS**

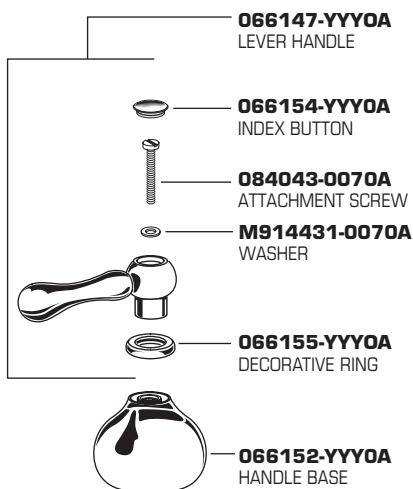
**HANDLE KITS  
MODEL NUMBERS**

Replace the "YYY" with appropriate finish code

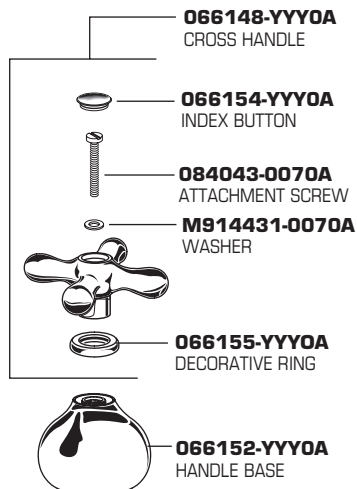
CHROME	002
WHITE	020
BLACKNICKEL	062
BLACK SMITH	078
POLISHED BRASS	099
SATIN/CHROME	221
SATIN NICKEL	295
SATIN/BRASS	297
CHROME/BRASS	299

**0000.452    0000.443**  
**0000.453    0000.552**  
**0000.442    0000.553**

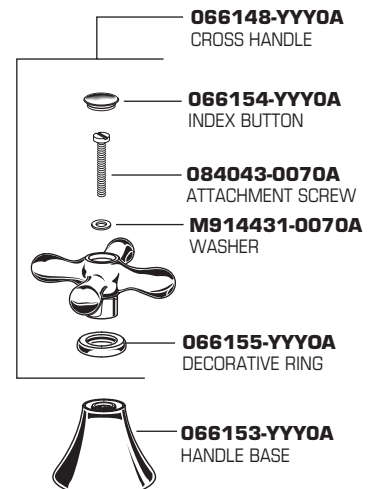
### 0000.442/443



### 0000.452/453



### 0000.552/553



**HOT LINE FOR HELP**  
 For toll-free information and answers to your questions, call:  
 1 (800) 442-1902  
 Weekdays 8:00 a.m. to 8:00 p.m. EST  
 IN CANADA 1-800-387-0369 (TORONTO 1-905-306-1093)  
 Weekdays 8:00 a.m. to 7:00 p.m. EST  
 IN MEXICO 01-800-839-12-00

Product names listed herein are trademarks of American Standard Inc.  
 © AS America, Inc. 2009

M968170 Rev. 1.2