

REMINISCENCE™ ROUND FRONT TOILET

2311.016

- Vitreous china
- Low-consumption (6.0 Lpf/1.6 gpf)
- Round front siphon jet action bowl with 2" trapway
- Bowl rim height at 381mm (15")
- Vintage detailing on bowl and tank-- design matched to pedestal and countertop lavatories
- Side-mounted antique styled chrome trip lever with ceramic handle insert
- American Standard Smart Valve water control insures quieter refill
- 2 bolt caps
- Internal trapway area fully glazed
- 100% factory flush tested

3111.016 Bowl

4111.016 Tank

Nominal Dimensions:

718 x 508 x 826mm
(28-1/4" x 20" x 32-1/2")

Fixture only, seat and supply by others

Compliance Certifications -

Meets or Exceeds the Following Specifications:

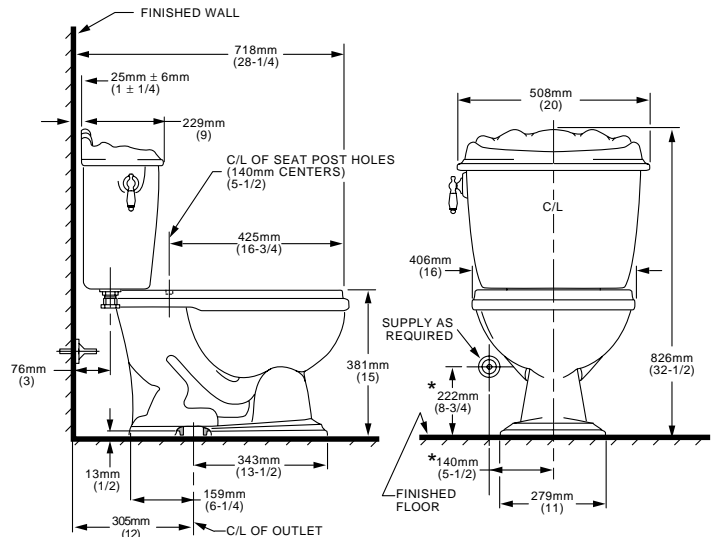
- ASME A112.19.2M (and 19.6M) for Vitreous China Fixtures - includes Flush Performance, Ball Pass Diameter, Trap Seal Depth and all Dimensions

To Be Specified

- Color:
- Seat: American Standard #5322.011 "Rise and Shine" (with easy to clean lift-off hinge system) solid plastic closed front seat with cover. See page TB-001.
- Seat: American Standard #5308.014 "Laurel" molded closed front seat with cover. See page TB-001.
- Alternate Seat:
- Supply with stop:



Shown with 5308.014 "Laurel" seat



NOTES:

THIS COMBINATION IS DESIGNED TO ROUGH-IN AT A MINIMUM DIMENSION OF 305MM (12") FROM FINISHED WALL TO C/L OF OUTLET.

* DIMENSIONS SHOWN FOR LOCATION OF SUPPLY ARE SUGGESTED.

SUPPLY NOT INCLUDED WITH FIXTURE AND MUST BE ORDERED SEPARATELY.

IMPORTANT: Dimensions of fixtures are nominal and may vary within the range of tolerance established by ANSI Standard A112.19.2.

These measurements are subject to change or cancellation. No responsibility is assumed for use of superseded or voided pages.