

**CORNER MINETTE WALL-HUNG LAVATORY**

- Vitreous china
- Front overflow
- Supplied with 2 wall hangers
- Faucet ledge.  
Shown with 2000.101 Ceramix faucet  
(not included)

**0451.021**

Faucet holes on 102mm (4") centers

Nominal Dimensions:  
279 x 425mm  
(11" x 16-3/4")

Bowl sizes:  
311mm (12-1/4") wide,  
219mm (8-5/8") front to back,  
133mm (5-1/4") deep

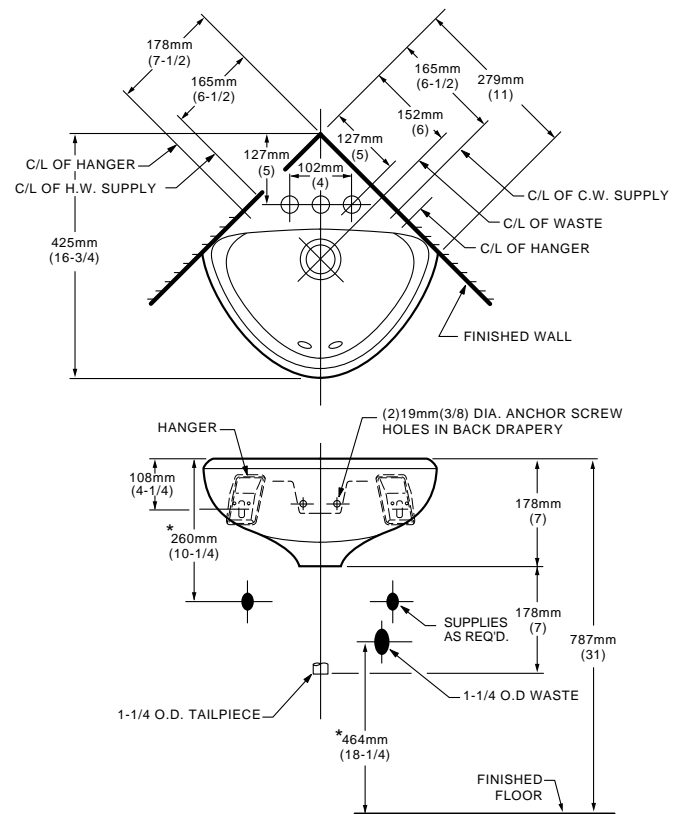
Fixture Dimensions conform to ANSI Standard  
A112.19.2



**To Be Specified**

- Color:
- Faucet\*:
- Faucet Finish:
- Supplies with Stop:
- 1-1/4" Trap:
- Nipple:

\* See faucet section for additional models available



**NOTES:**

\* DIMENSIONS SHOWN FOR LOCATION OF SUPPLIES AND "P" TRAP ARE SUGGESTED. PROVIDE SUITABLE REINFORCEMENT FOR ALL WALL SUPPORTS. FITTINGS NOT INCLUDED AND MUST BE ORDERED SEPARATELY.  
IMPORTANT: Dimensions of fixtures are nominal and may vary within the range of tolerances established by ANSI Standard A112.19.2.  
These measurements are subject to change or cancellation. No responsibility is assumed for use of superseded or voided pages.