



PLEASE NOTE: Check that you have received all components and hardware before assembling. If you are missing any parts, contact your retailer, or fax Euro Style at 415-455-8033.

Assembly Instructions

Otto Low Back Office Chair



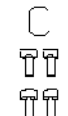
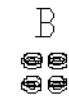
Seat



Mechanism



Gas Lift



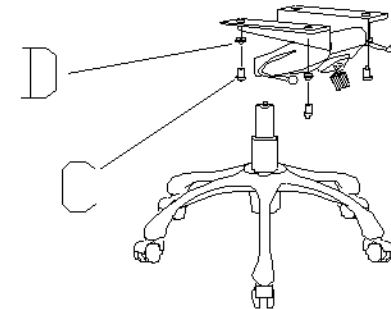
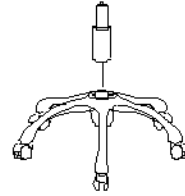
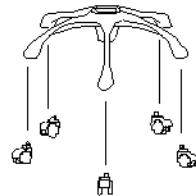
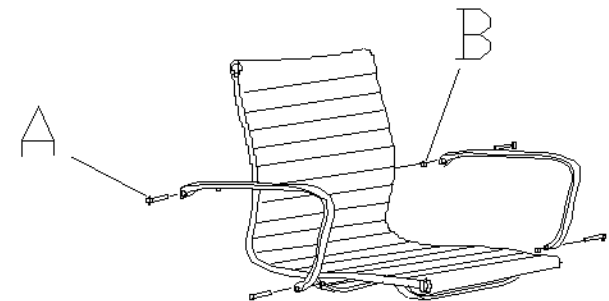
Base



Casters



Armrest



During assembly, **hand tighten** screws only. When all screws are in place, then tighten completely.

CAUTION:

1. Do not use this chair as a step ladder.
2. Check for loose screws and tighten them regularly.