

# euro style™

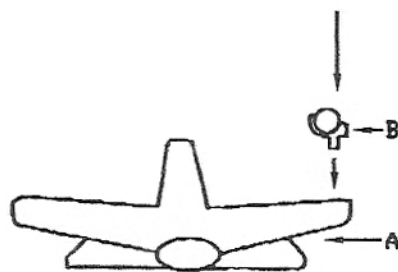
## Assembly Instructions

### iMax Office Chair



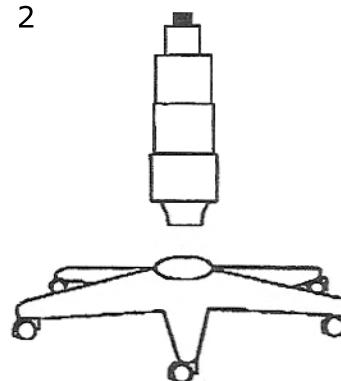
**PLEASE NOTE:** Check that you have received all components and hardware before assembling. If you are missing any parts, contact your retailer, or fax Euro Style at 415-455-8033.

1



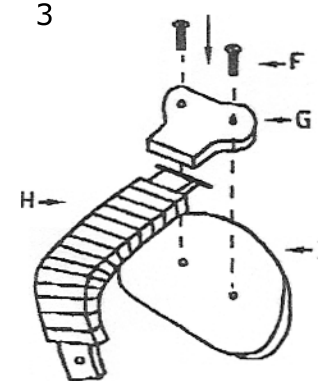
Five star steel base & wheels

2

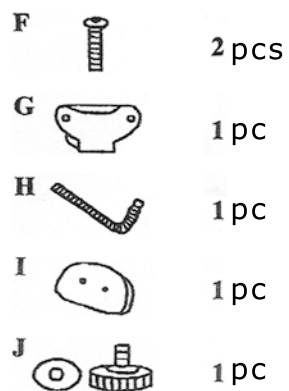
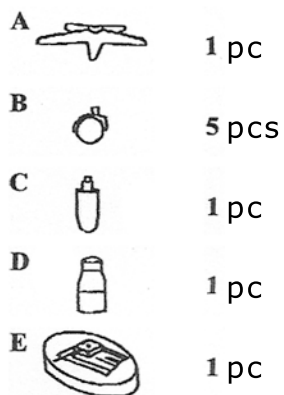


Pneumatic lift

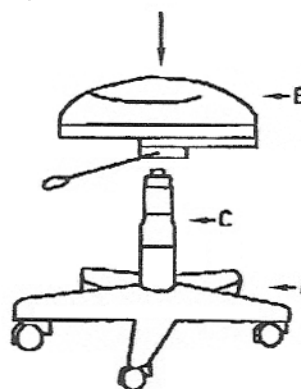
3



Back joint

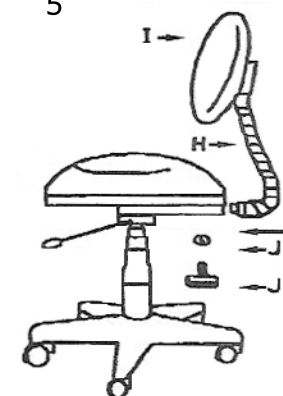


4



Seat and center post

5



Back tube & seat

During assembly, hand tighten screws only. When all screws are in place, tighten them completely.

**CAUTION:**

1. Do not use this chair as a step ladder.
2. Check for loose screws and tighten them regularly.