

Features:

- Vitreous china
- Front overflow
- Faucet deck
- 8" Faucet center
- Classical design with detailed backsplash and fluted pedestal
- Enhanced height (over 34" at basin front rim)
- Complete with mounting kit
- Easy installation
- Installed Dimensions: 22 3/8"L x 26 1/8"W x 36 7/8"H

Codes/Standards Applicable:

IAPMO/UPC
ASME A112.19.2

Available Colors:

- .01 White
- .02 Bone
- .06 Balsa
- .13 Black



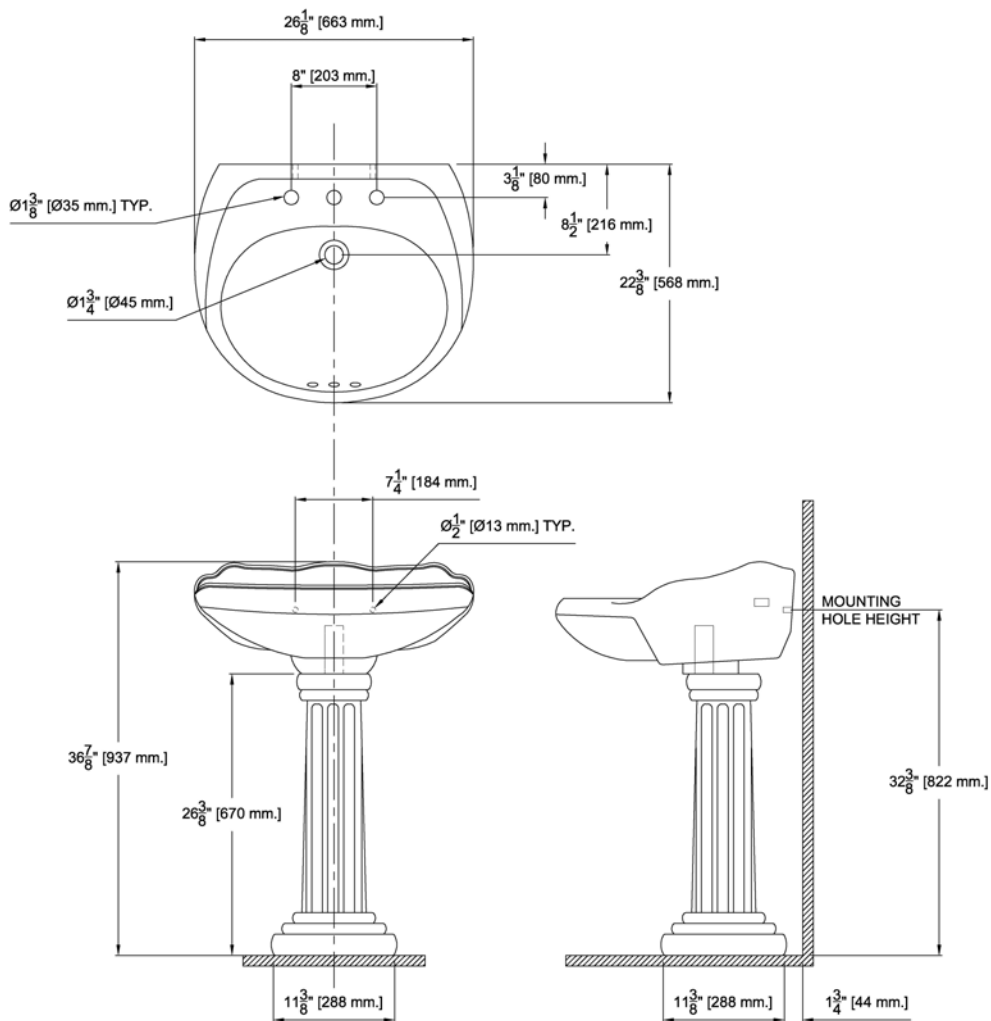
Specified Model

Model	Description	Colors:
5120.080	Pedestal Lavatory	<input type="checkbox"/> .01 White <input type="checkbox"/> .02 Bone <input type="checkbox"/> .06 Balsa <input type="checkbox"/> .13 Black
Accessories:		
Refer to catalog and/or price book for faucet options		

Product Specification:

The pedestal lavatory shall be 22 3/8" in length, 26 1/8" in width, and 36 7/8" in height. Pedestal lavatory shall be made of vitreous china. Pedestal lavatory shall have 8" centers. Pedestal lavatory shall have overflow. Pedestal lavatory shall be St. Thomas Creations model 5120.080.

Fixture:		Included Components:	
		Lavatory	5120.082
		Pedestal	5120.331
Drain Hole	1 3/4"		
Faucet Holes	1 3/8"		
Packaging Dimensions:		Weight:	
Lavatory	28"L x 23 1/2"W X 13 1/2"H	45.0	
Pedestal	18"L X 12 1/2"W X 12 1/2"H	27.0	



These measurements are subject to change or cancellation. No responsibility will be assumed for use of superseded or voided pages.