

36" STD
(VERIFY)

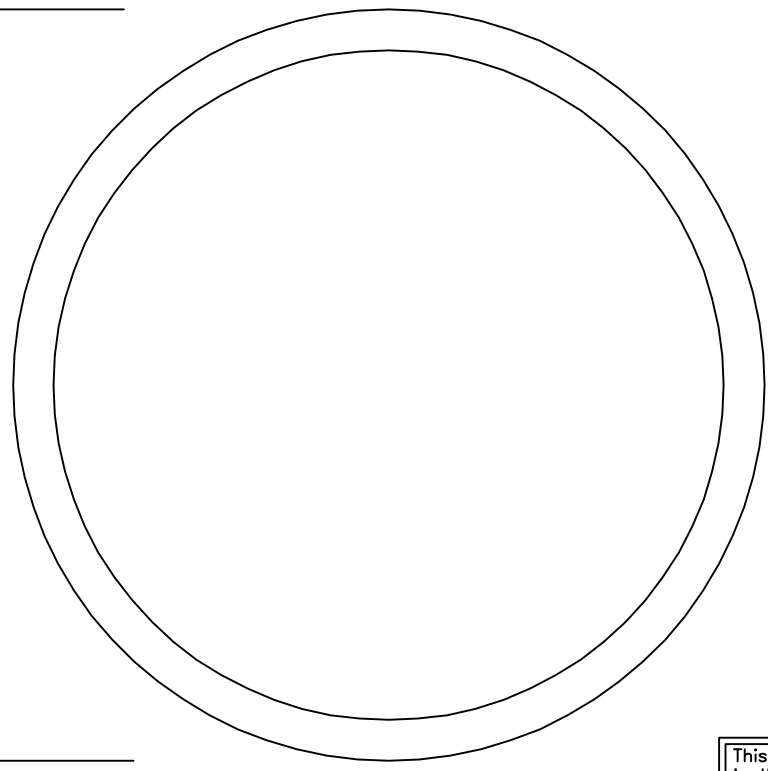
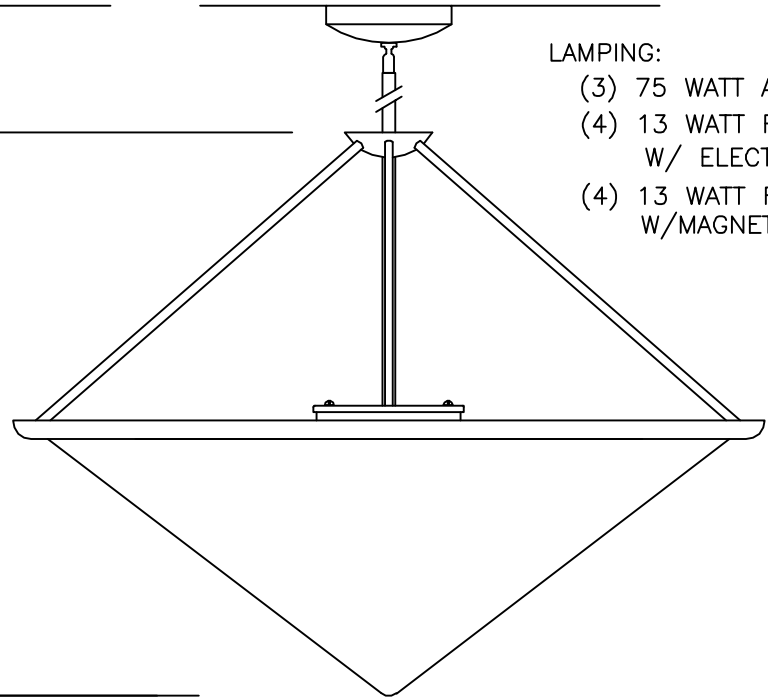
11.5"

11"

30"
DIA

LAMPING:

- (3) 75 WATT A-19 INCANDESCENT OR
- (4) 13 WATT FLUORESCENT
W/ ELECTRONIC BALLASTS OR
- (4) 13 WATT FLUORESCENT
W/MAGNETIC BALLASTS



This Design Information, regardless of form, is the sole property of Architectural Details, Inc. Duplication or release of any information pertaining to this design, without written approval, is strictly forbidden. Control of this document shall be the responsibility of the organization or individual to whom it is released. Acceptance of this document implies agreement not to use, duplicate or release any information herein.

REV / DATE / DESCR.

DESIGN NO.	1895-30	SHT. #
TYPE	30" CONE PENDANT	
DATE	02-17-00	
SCALE	1-1/2" = 1'-0"	
QUANTITY	SEE P.O.	
FINISH	BY A.D.I.	

PROJECT:	1895-30
APPROVED	DATE

NOTES:

DRWN. BY:	DATE
CHKD. BY:	DATE

**ARCHITECTURAL
DETAILS INC**

ARCHITECTURAL DETAILS, INC.
10930 116th AVENUE N.E.
KIRKLAND, WASHINGTON, 98033
425 822-1292
FAX *425* 822-1263
Internet: www.Arch-Details.com