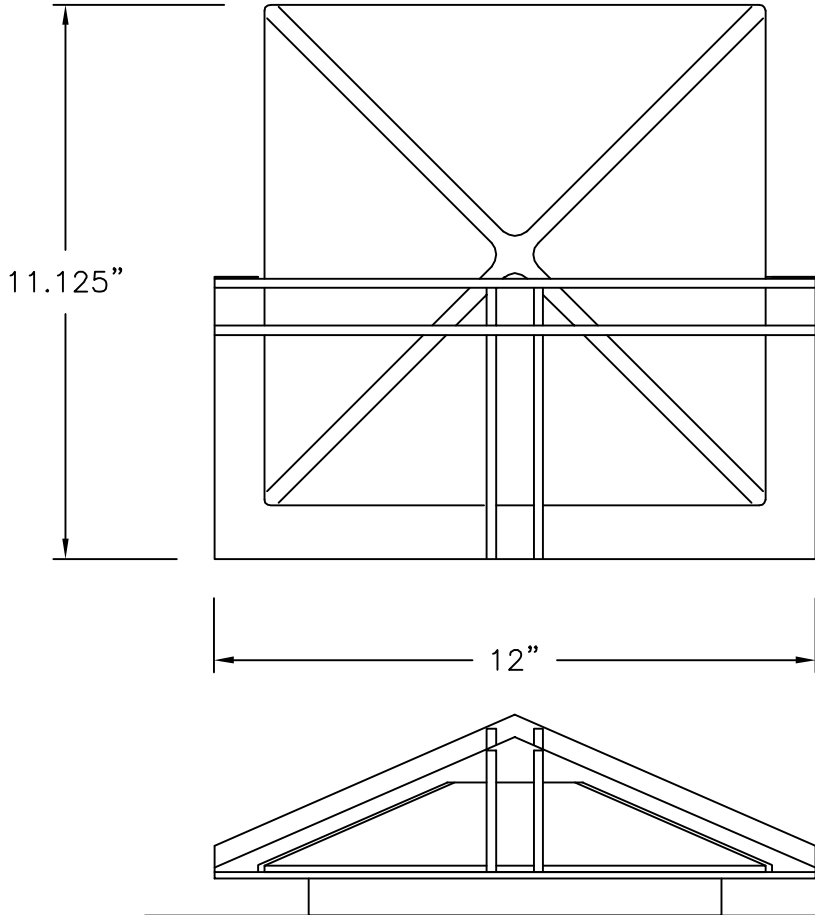
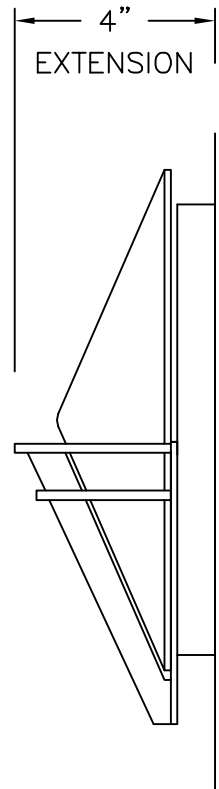


A.D.A.



LAMPING: (1) 60 WATT B-10 INCANDESCENT OR
 (1) 13 WATT FLUORESCENT
 W/ MAGNETIC BALLAST OR
 (1) 13 WATT FLUORESCENT
 W/ ELECTRONIC BALLAST

This Design Information, regardless of form, is the sole property of Architectural Details, Inc. Duplication or release of any information pertaining to this design, without written approval, is strictly forbidden. Control of this document shall be the responsibility of the organization or individual to whom it is released. Acceptance of this document implies agreement not to use, duplicate or release any information herein.

DESIGN NO.	1860	REV/DATE/DESCR.
PART/TYPE	PYRAMID SCONCE	
DATE	4-24-96	
SCALE	3" = 1'-0"	
QUANTITY	SEE P.O.	
FINISH	BY A.D.I.	

PROJECT:	LINEAR 1860	
APPROVED	DATE	

**ARCHITECTURAL
DETAILS INC.**

ARCHITECTURAL DETAILS, INC.
 10930 116th AVENUE N.E.
 KIRKLAND, WASHINGTON, 98033
 425 822-1292
 FAX *425* 822-1263
 Internet: www.Arch-Details.com

NOTES:	DRWN. BY: FT	4-19-04
	CHKD. BY:	DATE