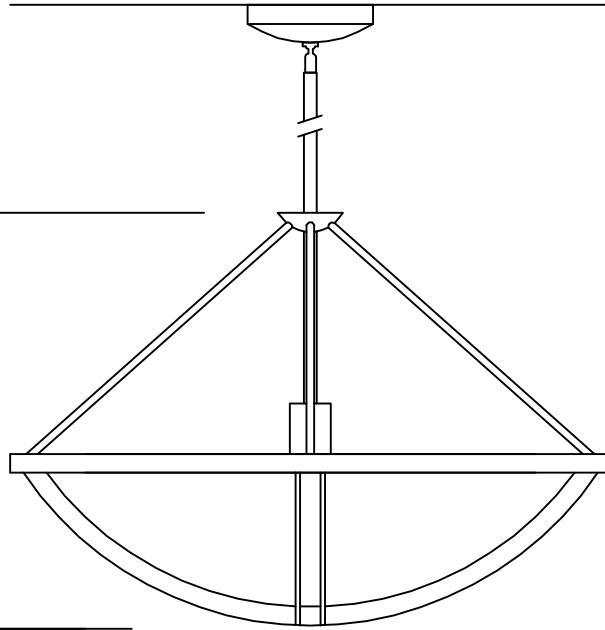


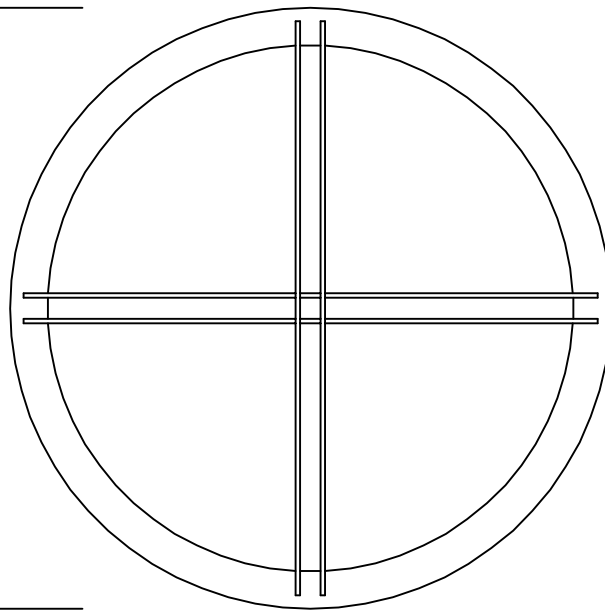
36" STD
(VERIFY)

9-1/2"

7"



24"



LAMPING: (3) 75 WATT A-19 INCANDESCENT OR
(1) 26 WATT FLUORESCENT
W/ ELECTRONIC BALLAST

REV / DATE / DESCR.

This Design Information, regardless of form, is the sole property of Architectural Details, Inc. Duplication or release of any information pertaining to this design, without written approval, is strictly forbidden. Control of this document shall be the responsibility of the organization or individual to whom it is released. Acceptance of this document implies agreement not to use, duplicate or release any information herein.

DESIGN NO.	1855-24	SHT. #
TYPE	24" LINEAR PENDANT	
DATE	01-27-00	
SCALE	1-1/2" = 1'-0"	
QUANTITY	SEE P.O.	
FINISH	BY A.D.I.	

PROJECT:

1855-24 LINEAR

APPROVED

DATE

DRWN. BY:

DATE

CHKD. BY:

NOTES:

ARCHITECTURAL
DETAILS INC

ARCHITECTURAL DETAILS, INC.
10930 116th AVENUE N.E.
KIRKLAND, WASHINGTON, 98033
425 822-1292
FAX *425* 822-1263
Internet: www.Arch-Details.com