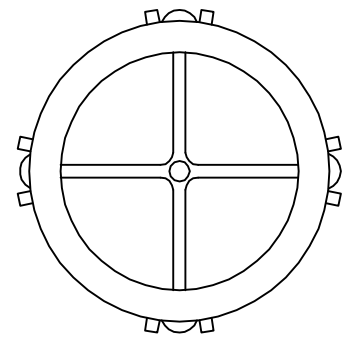
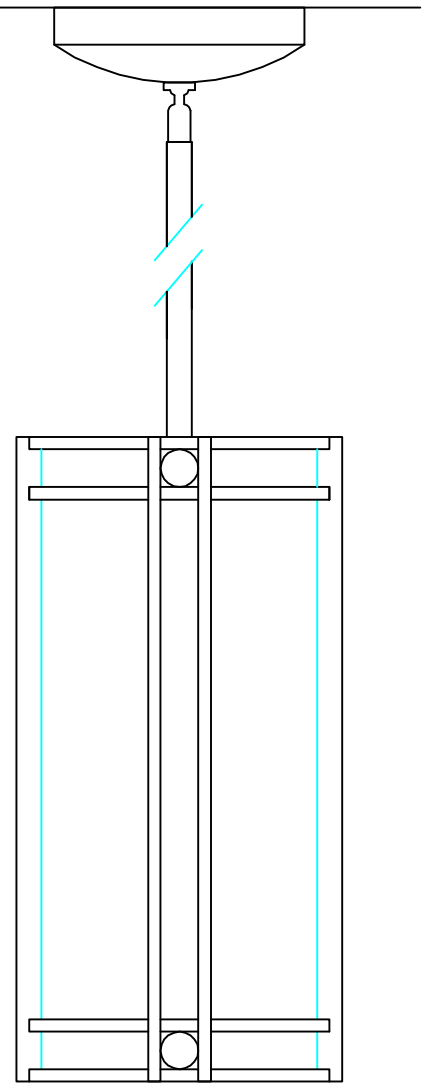


This Design Information, regardless of form, is the sole property of Architectural Details, Inc. Duplication or release of any information pertaining to this design, without written approval, is strictly forbidden. Control of this document shall be the responsibility of the organization or individual to whom it is released. Acceptance of this document implies agreement not to use, duplicate or release any information herein.

36" STD.
(VERIFY)

12-7/8"

6-1/2" DIA



LAMPING: (1) 75 WATT A-19 INCANDESCENT OR
(1) 13 WATT FLUORESCENT
W/ MAGNETIC BALLAST OR
(1) 13 WATT FLUORESCENT
W/ ELECTRONIC BALLAST

DESIGN NO.	1824	REV/DATE/DESCR.
PART/TYPE	LINEAR CYLINDER PENDANT	
DATE	4-6-99	
SCALE	3" = 1'-0"	
QUANTITY	SEE P.O.	
FINISH	BY A.D.I.	

PROJECT:
1824 LINEAR

APPROVED _____ DATE _____

DRWN. BY: _____ DATE _____

CHKD. BY: _____



ARCHITECTURAL DETAILS, INC.
10930 116th AVENUE N.E.
KIRKLAND, WASHINGTON, 98033
425 822-1292
FAX *425* 822-1263
Internet: www.Arch-Details.com