

Features

- Brass construction
- Dual control wall-mounted
- Cross or lever handles
- Stationary spout
- Less drain
- 6-1/4" (15.9 cm), 8-1/4" (21 cm), or 10-1/4" (26 cm) 35° spout from wall to center of drain
- 1.5 gallons (5.7 liters) per minute maximum flow rate

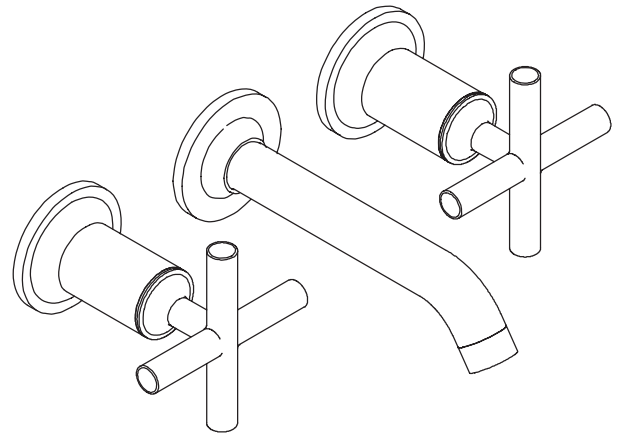
WALL-MOUNT LAVATORY FAUCET TRIM
K-T14413
ALSO K-T14415, K-T14417



Codes/Standards Applicable

Specified model meets or exceeds the following at date of manufacture:



- ADA
- ASME A112.18.1/CSA B125.1
- ICC/ANSI A117.1
- NSF 61
- Energy Policy Act of 1992
- All applicable US Federal and State material regulations
- EPA WaterSense®



Colors/Finishes

- CP: Polished Chrome
- Other: Refer to Price Book for additional colors/finishes
- NA: None applicable

Specified Model

Model	Description	Cross		Lever	
		 ADA	<input type="checkbox"/> CP <input type="checkbox"/> Other ____	 ADA	<input type="checkbox"/> CP <input type="checkbox"/> Other ____
K-T14413-3	Wall-mount lavatory faucet trim – 6-1/4" (15.9 cm) 35° spout	<input type="checkbox"/> CP	<input type="checkbox"/> Other ____		
K-T14413-4	Wall-mount lavatory faucet trim – 6-1/4" (15.9 cm) 35° spout			<input type="checkbox"/> CP	<input type="checkbox"/> Other ____
K-T14415-3	Wall-mount lavatory faucet trim – 8-1/4" (21 cm) 35° spout	<input type="checkbox"/> CP	<input type="checkbox"/> Other ____		
K-T14415-4	Wall-mount lavatory faucet trim – 8-1/4" (21 cm) 35° spout			<input type="checkbox"/> CP	<input type="checkbox"/> Other ____
K-T14417-3	Wall-mount lavatory faucet trim – 10-1/4" (26 cm) 35° spout	<input type="checkbox"/> CP	<input type="checkbox"/> Other ____		
K-T14417-4	Wall-mount lavatory faucet trim – 10-1/4" (26 cm) 35° spout			<input type="checkbox"/> CP	<input type="checkbox"/> Other ____

Product Specification

The wall-mount lavatory faucet trim shall be of brass construction. Product shall have a maximum flow rate of 1.5 gallons (5.7 liters) per minute. Product shall be dual control wall-mounted. Product shall be available with a 6-1/4" (15.9 cm), 8-1/4" (21 cm), or 10-1/4" (26 cm) 35° spout from the wall to center of the drain. Product shall be available with cross or lever handles. Product shall feature a stationary spout. Product shall be less drain. Faucet shall be Kohler Model K-T____ - ____ - ____ with required K-410-K-NA valve.

PURIST®

Required Accessories

K-410-K	Wall-mount valve	<input type="checkbox"/> NA
---------	------------------	-----------------------------

Optional Accessories

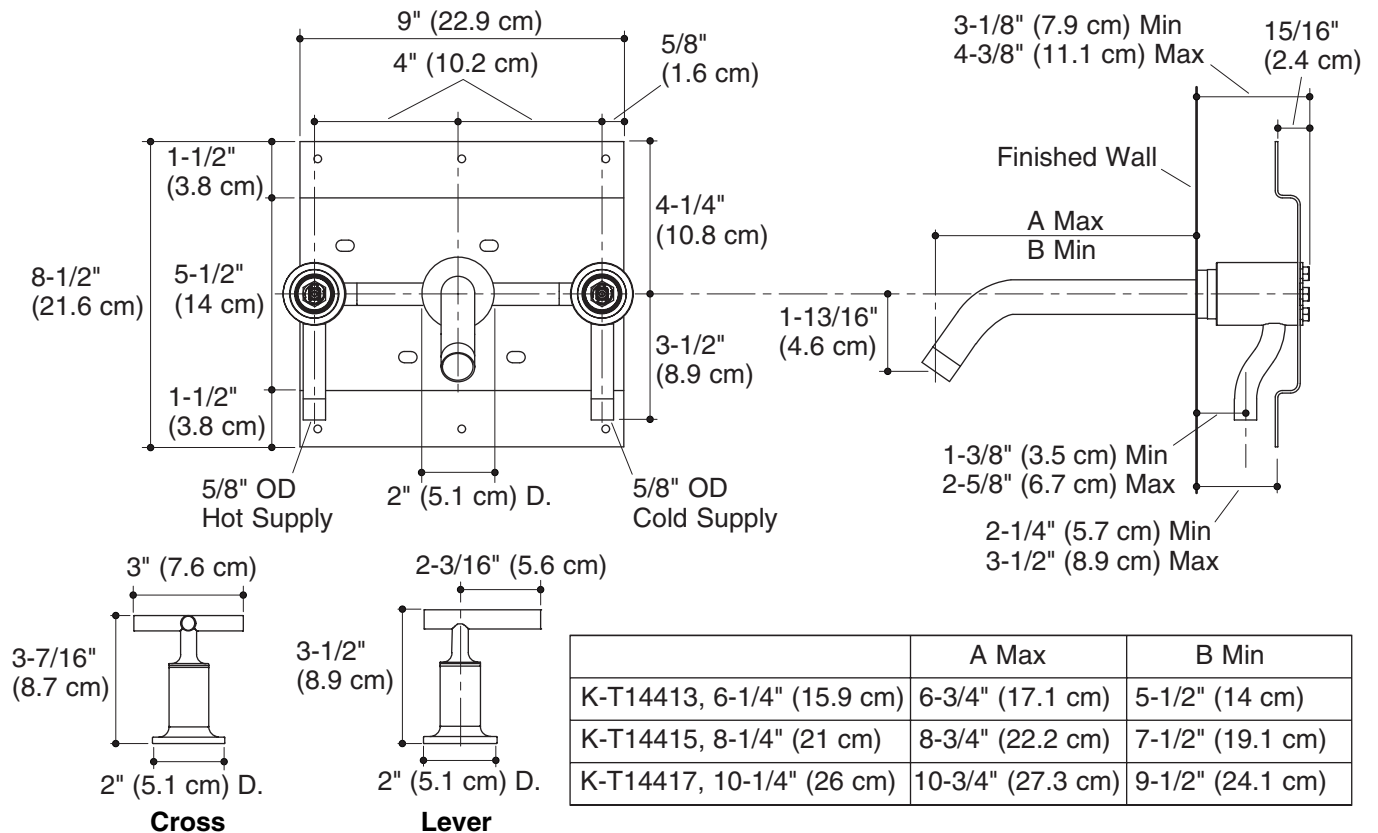
K-7114	Pop-up lavatory drain	<input type="checkbox"/> CP	<input type="checkbox"/> Other _____
K-7124	Touch-activated lavatory drain	<input type="checkbox"/> CP	<input type="checkbox"/> Other _____
K-7127	Lavatory drain with non-removable metal stopper	<input type="checkbox"/> CP	<input type="checkbox"/> Other _____
K-7129	Lavatory grid drain	<input type="checkbox"/> CP	<input type="checkbox"/> Other _____
_____	Additional flow options are available (refer to the Kohler Price Book)	<input type="checkbox"/> NA	

Installation Notes

Install this product according to the installation guide.

The distance between the bottom of spout and top of the fixture rim must not be less than 1-1/2" (3.8 cm) and not greater than 6" (15.2 cm).

Three 1-1/2" (3.8 cm) diameter cutout holes required for spout and handles.



Product Diagram