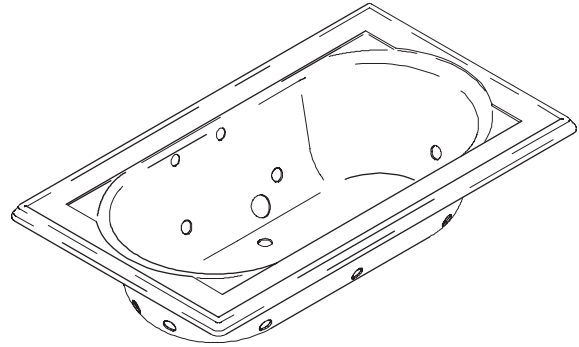


Features

- Acrylic
- Variable speed pump with 1.5 kW heater and back-lit user keypad
- 8 Flexjets™
- Custom pump locations
- Less all trim
- 72" (182.9 cm) x 42" (106.7 cm) x 22" (55.9 cm)

6' CUSTOM BATH WHIRLPOOL K-1418-HC ALSO K-1418-HE/-HH/-HN



Codes/Standards Applicable

Specified model meets or exceeds the following:

- ASME A112.19.7M
- ANSI Z124.1.2
- UL 1951

Colors/Finishes

- 0: White
- Other: Refer to Price Book for additional colors/finishes

Accessories

- CP: Polished Chrome
- Other: Refer to Price Book for additional colors/finishes

Specified Model

Model	Description	Colors/Finishes	
K-1418-HC	Bath whirlpool, custom pump (shown)	<input type="checkbox"/> 0	<input type="checkbox"/> Other_____
K-1418-HE	Bath whirlpool, custom pump	<input type="checkbox"/> 0	<input type="checkbox"/> Other_____
K-1418-HH	Bath whirlpool, custom pump	<input type="checkbox"/> 0	<input type="checkbox"/> Other_____
K-1418-HN	Bath whirlpool, custom pump	<input type="checkbox"/> 0	<input type="checkbox"/> Other_____

Required Accessories

K-9698	Jet trim kit	<input type="checkbox"/> CP	<input type="checkbox"/> Other_____
--------	--------------	-----------------------------	-------------------------------------

Recommended Accessories

K-7161-AF	Pop-up bath drain	<input type="checkbox"/> CP	<input type="checkbox"/> Other_____
-----------	-------------------	-----------------------------	-------------------------------------

Optional Accessories

K-1491	Pillow	<input type="checkbox"/> 0	<input type="checkbox"/> Other_____
K-1601	Footstop	<input type="checkbox"/> 0	<input type="checkbox"/> Other_____

Product Specification

The acrylic bath whirlpool shall be 72" (182.9 cm) in length, 42" (106.7 cm) in width, and 22" (55.9 cm) in height. Product shall include custom pump locations, 8 Flexjets™, a variable-speed pump with 1.5 kW heater, and back-lit user keypad. Product shall be less all trim. Bath whirlpool shall be Kohler Model K-1418-_____-_____.

MEMOIRS®

Optional Accessories

K-1703	Remote control	<input type="checkbox"/> NA
--------	----------------	-----------------------------

Technical Information

Fixture*:				
Basin area:				
Bathing well	48" (121.9 cm) x 27" (68.6 cm)			
Top area	60" (152.4 cm) x 30" (76.2 cm)			
Weight	140 lbs (63.5 kg)			
To overflow:				
Water depth	16" (40.6 cm)			
Capacity	94 gal (355.8 L)			
* Approximate measurements for comparison only.				
Drop-in cut-out		70-1/2" (179.1 cm) x 40-1/2" (102.9 cm)		
Pump:				
Variable-speed	kW	V	Hz	A
	1.5	240	50/60	11

Required Electrical Service

Dedicated circuit required, protected with Class A Ground-Fault Circuit-Interrupter (GFCI) or Residual Current Device (RCD):

Pump/control	220/240 V, 20 A, 50/60 Hz
--------------	---------------------------

Installation Notes

Install this product according to the installation guide.

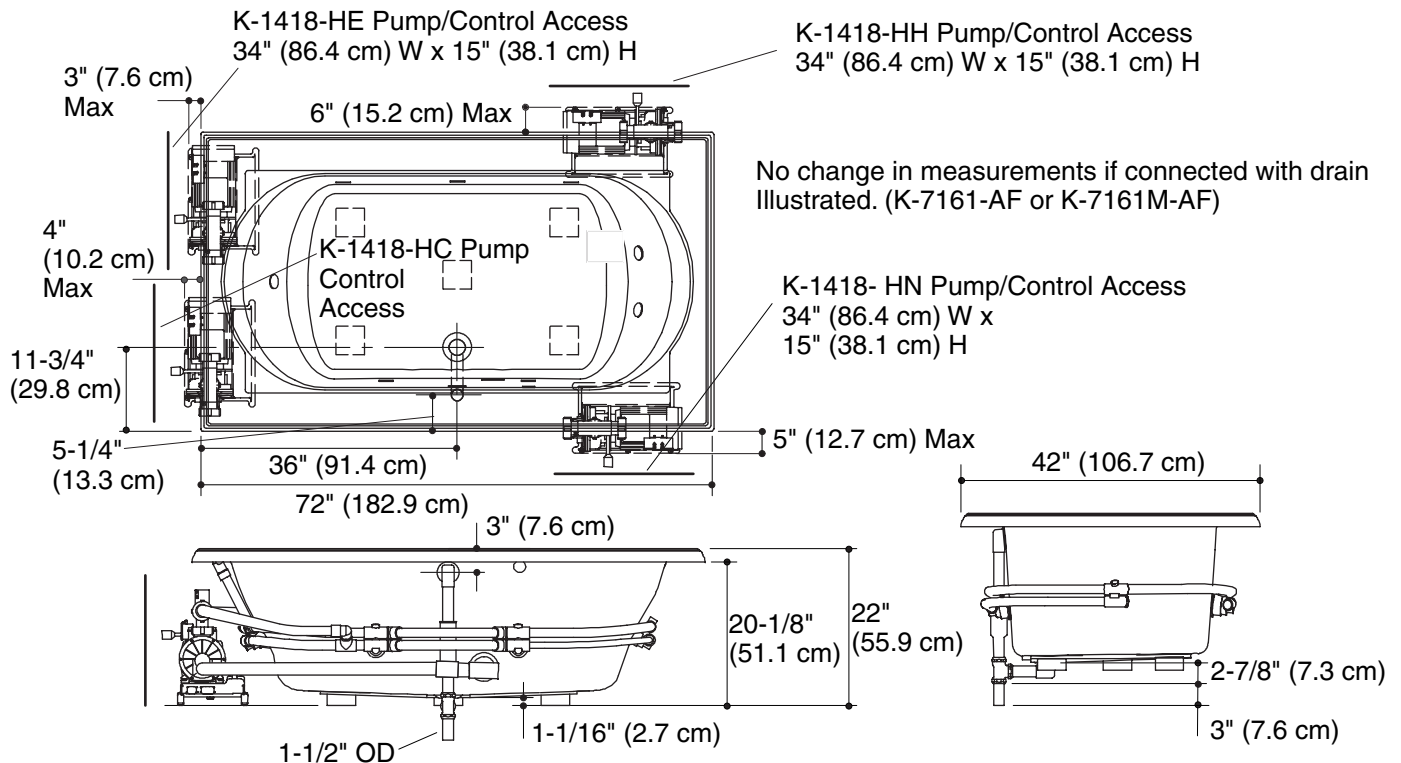
Floor support under whirlpool must provide for a minimum of 45 lbs/square foot (221 kg/square meter) loading.

Hot water supply should be 70% of capacity or greater. Installations will vary.

If installing a rim-mount faucet, make sure there is no interference with drain overflow and circulating system before drilling any holes. Consult local and national codes for minimum air gap requirements if installing a spout on the faucet deck.

Pump must be relocated to custom position at the time of installation. Provide adequate clearance.

This whirlpool is designed for drop-in installation only. It is not suited for use in a three-wall alcove with an overhead shower.



Product Diagram