

Features

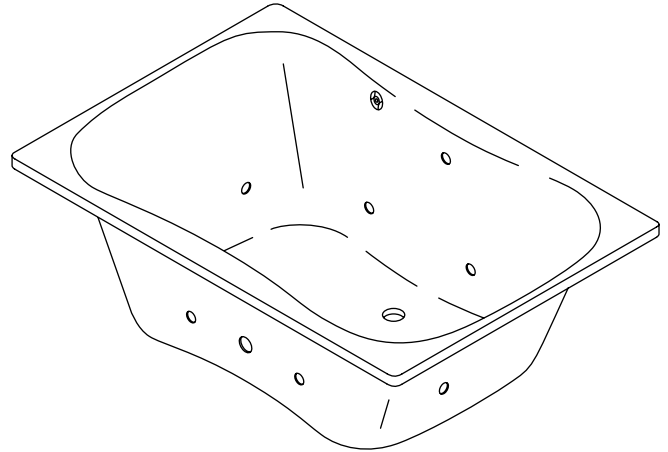
- Acrylic
- 6 Flexjets™
- Custom pump locations
- Less all trim
- Variable speed pump with 1.5 kW heater and back-lit user keypad
- 72" (182.9 cm) x 42" (106.7 cm) x 24-1/2" (62.2 cm)

Codes/Standards Applicable

Specified model meets or exceeds the following:

- ASME A112.19.7M
- ANSI Z124.1.2
- UL 1795

6' x 24" CUSTOM BATH WHIRLPOOL K-1368-HF/-HN



Colors/Finishes

- 0: White
- Other: Refer to Price Book for additional colors/finishes

Accessories

- 0: White
- CP: Polished Chrome
- PB: Vibrant® Polished Brass
- NA: None applicable
- Other: Refer to Price Book for additional colors/finishes

Specified Model

Model	Description	Colors/Finishes	
K-1368-HF	Bath whirlpool, custom pump (shown)	<input type="checkbox"/> 0	<input type="checkbox"/> Other_____
K-1368-HN	Bath whirlpool, custom pump (top view shown)	<input type="checkbox"/> 0	<input type="checkbox"/> Other_____

Required Accessories			
K-9696	Jet trim kit	<input type="checkbox"/> CP	<input type="checkbox"/> PB <input type="checkbox"/> Other_____

Recommended Accessories			
K-7161-AF	Pop-up bath drain	<input type="checkbox"/> CP	<input type="checkbox"/> PB <input type="checkbox"/> Other_____

Optional Accessories			
K-1491	Pillow	<input type="checkbox"/> 0	<input type="checkbox"/> Other_____

Product Specification

The acrylic bath whirlpool shall be 72" (182.9 cm) in length, 42" (106.7 cm) in width, and 24-1/2" (62.2 cm) in height. The bath whirlpool shall have six Flexjets, a variable-speed pump, a 1.5 kW heater, and back-lit user keypad. The bath whirlpool shall include custom pump locations and shall be less all trim. The bath whirlpool shall be Kohler Model K-1368-_____-_____-_____.

INFINITY ∞ BATH™

Optional Accessories

K-1601	Footstop	<input type="checkbox"/> 0		<input type="checkbox"/> Other_____
K-1703	Remote control		<input type="checkbox"/> NA	

Technical Information

Fixture*:	
Basin area:	
Bathing well	48" (121.9 cm) x 29" (73.7 cm)
Top area	66" (167.6 cm) x 36" (91.4 cm)
Weight	170 lbs (77.1 kg)
To overflow:	
Water depth	18" (45.7 cm)
Capacity	118 gal (446.7 L)
* Approximate measurements for comparison only.	

Pump:	kW	V	Hz	A
Variable speed:	1.5	240	50/60	11

Required Electrical Service

Dedicated circuit required, protected with Class A Ground-Fault Circuit-Interrupter (GFCI) or Residual Current Device (RCD):

Pump/control 220/240 V, 11 A, 50/60 Hz

Installation Notes

Install this product according to the installation guide.

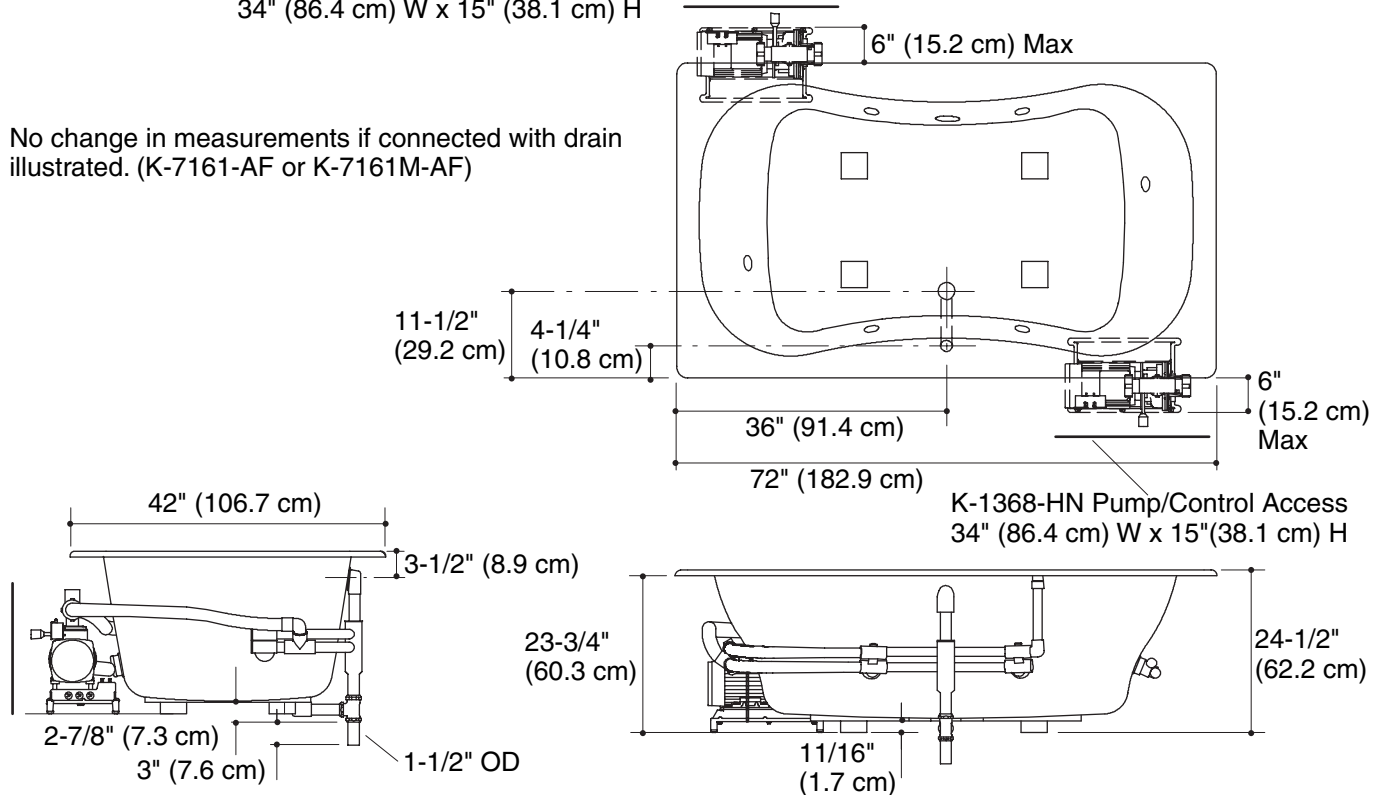
Floor support under whirlpool must provide for a minimum of 56 lbs/square foot (274 kg/square meter) loading.

Hot water supply should be 70% of capacity or greater. Installations will vary.

If installing a rim-mount faucet, make sure there is no interference with drain overflow and circulating system before drilling any holes. Consult local and national codes for minimum air gap requirements if installing a spout on the faucet deck.

K-1368-HF Pump/ Control Access
34" (86.4 cm) W x 15" (38.1 cm) H

No change in measurements if connected with drain illustrated. (K-7161-AF or K-7161M-AF)



Product Diagram

INFINITY ∞ BATH™ 6' x 24" CUSTOM BATH WHIRLPOOL

Page 2 of 2
1022373-4-C

THE BOLD LOOK
OF **KOHLER**®