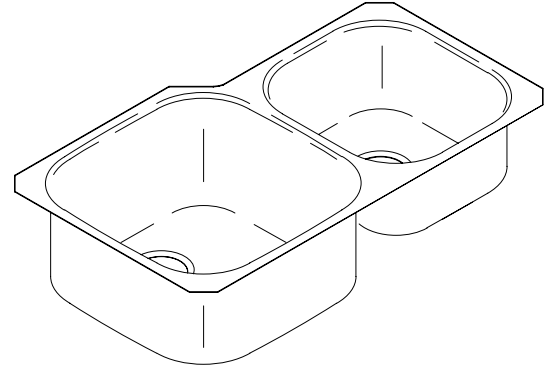


FEATURES

- 32-7/8" x 17-7/8"
- 18 gauge stainless steel
- Undercounter
- Double (extra large/medium) compartment
- 9-1/2" deep left basin and 7-1/2" deep right basin
- Rounded bowls
- Includes installation hardware



CODES/STANDARDS APPLICABLE

Specified model meets or exceeds the following:

- IAPMO/UPC
- Canadian Standards Association (CSA)
- State of Massachusetts

COLORS/FINISHES

- NA None Applicable

Accessories:

- CP Polished Chrome
- 0 White
- NA None Applicable
- Other Refer to Price Book for additional colors

SPECIFIED MODEL:

Model	Description	Colors/Finishes
K-3356	Undercounter sink	<input type="checkbox"/> NA

Optional Accessories			
K-3191	Bottom basin rack (for left basin only)	<input type="checkbox"/> 0 White	<input type="checkbox"/> Other_____
K-3278	Hardwood cutting board (for right basin only)	<input type="checkbox"/> NA	
K-3279	Wire basket (for left basin only)	<input type="checkbox"/> 0 White	<input type="checkbox"/> Other_____
K-3291	Colander (for right basin only)	<input type="checkbox"/> 0 White	<input type="checkbox"/> Other_____
K-8801	Duostrainer sink strainer	<input type="checkbox"/> CP	<input type="checkbox"/> Other_____

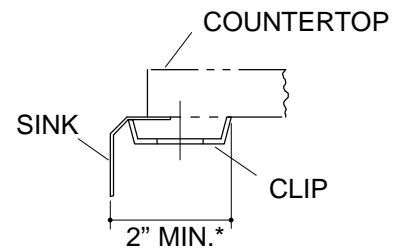
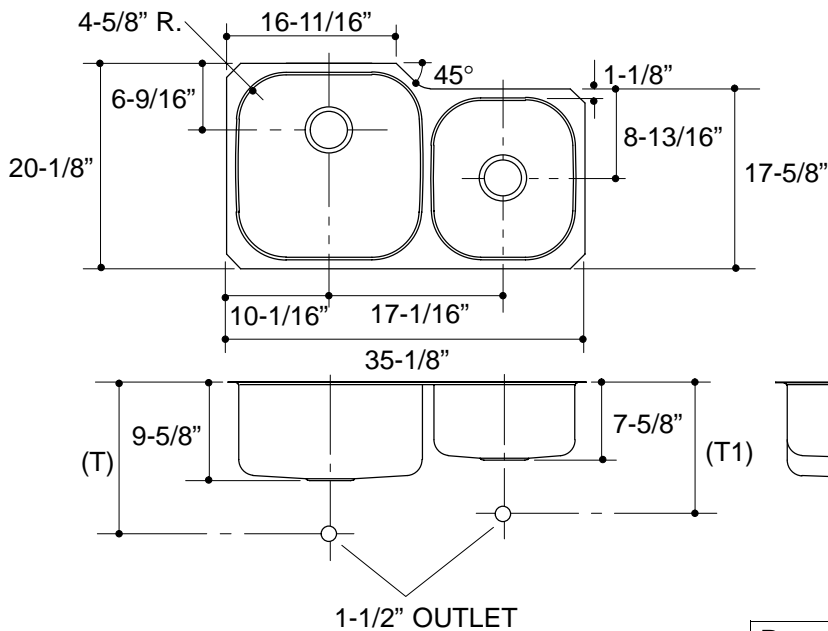
PRODUCT SPECIFICATION:

The undercounter sink shall be 32-7/8" in length, and 17-7/8" in width. Sink shall be made of 18 gauge stainless steel. Sink shall be double (extra large/medium) compartment with rounded bowls. Sink shall have 9-1/2" deep left basin and 7-1/2" deep right basin. Sink shall include installation hardware. Sink shall be Kohler Model K-3356-_____.

UNDERTONE™

PRODUCT INFORMATION

Fixture*:		basin area	water depth
Sink, left		18" x 18"	9-1/2"
Sink, right		14" x 15"	7-1/2"
Outlet	3-5/8" D.		
* Approximate measurements for comparison only.			
Included Components:			
Hardware kit		91915	
Cutout template		114540-7	



Roughing-In Notes

(T) Drain typically 15".

(T1) Drain typically 13".

* Allow clearance around sink rim for clip attachment.

.85<116

PRODUCT DIAGRAM