

**CERAMIC LAVATORY FAUCET
K-11000**

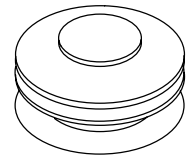
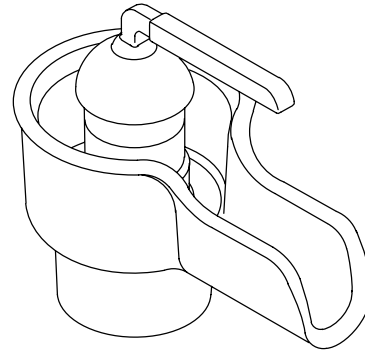
FEATURES

- Vitreous body with Brush nickel plated trim handle
- One-piece self-contained ceramic disc valve allows both volume and temperature control
- 2.2 gallons per minute
- Lever handle
- Single-hole mounting
- Available with brass pop-up drain

CODES/STANDARDS APPLICABLE

Specified model meets or exceeds the following:

- ASME/ANSI A112.18.1M
- CSA International B125
- Energy Policy Act of 1992
- IAPMO/UPC listed
- NSF 61



COLORS/FINISHES

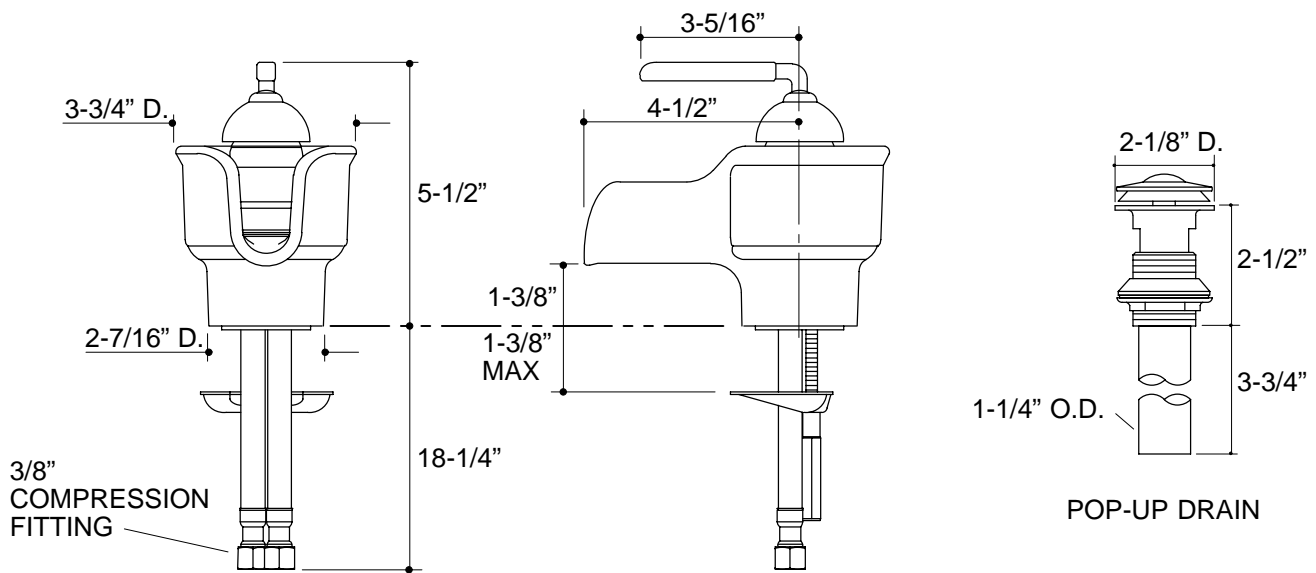
- 0 White
- 96 Biscuit
- V3 Igneous™ Black

SPECIFIED MODEL:

Model	Description			
K-11000	Vitreous body with plated trim, and pop-up drain	<input type="checkbox"/> 0	<input type="checkbox"/> 96	<input type="checkbox"/> V3

PRODUCT SPECIFICATION:

Single-control lavatory faucet shall be of vitreous body with brush nickel plated trim handle. The valve shall be a one-piece, self-contained ceramic disc valve, and allows both volume and temperature control. Product shall be 2.2 gallons per minute and lever handle. Product shall include single hole mounting and brass pop-up drain. Faucet shall be Kohler Model K-11000_____.



PRODUCT DIAGRAM