

### WATERLESS URINAL K-4917

ADA

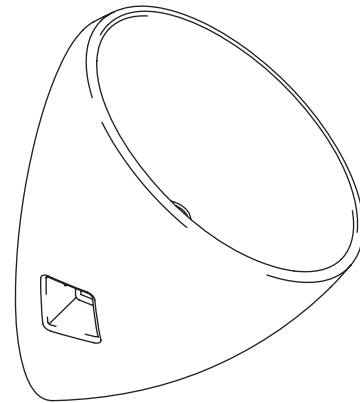
#### Features

- Vitreous china
- Waterless
- Includes removable strainer, sealing liquid sample, cleaner sample, outlet spud, and hangers
- 14-3/4" (37.5 cm) extended rim

#### Codes/Standards Applicable

Specified model meets or exceeds the following:

- ADA when rim is mounted no higher than 17" (43.2 cm) from finished floor
- CSA B45
- ICC/ANSI A117.1
- ASME A112.19.2
- CSA International
- IAPMO/Classified Listing



#### Colors/Finishes

- 0: White
- Other: Refer to Price Book for additional colors/finishes

#### Accessories:

- NA: None applicable

#### Specified Model

Model	Description	Colors/Finishes	
K-4917	Waterless urinal	<input type="checkbox"/> 0	<input type="checkbox"/> Other _____
Optional Accessories			
18773	3" outlet spud	<input type="checkbox"/> NA	

#### Product Specification

The waterless urinal shall be made of vitreous china. The urinal shall have a 14-3/4" (37.5 cm) extended rim. The urinal shall include a removable strainer, sealing liquid sample, cleaner sample, outlet spud, and hangers. The urinal shall be Kohler Model K-4917-\_\_\_\_\_.

# STEWART™ S

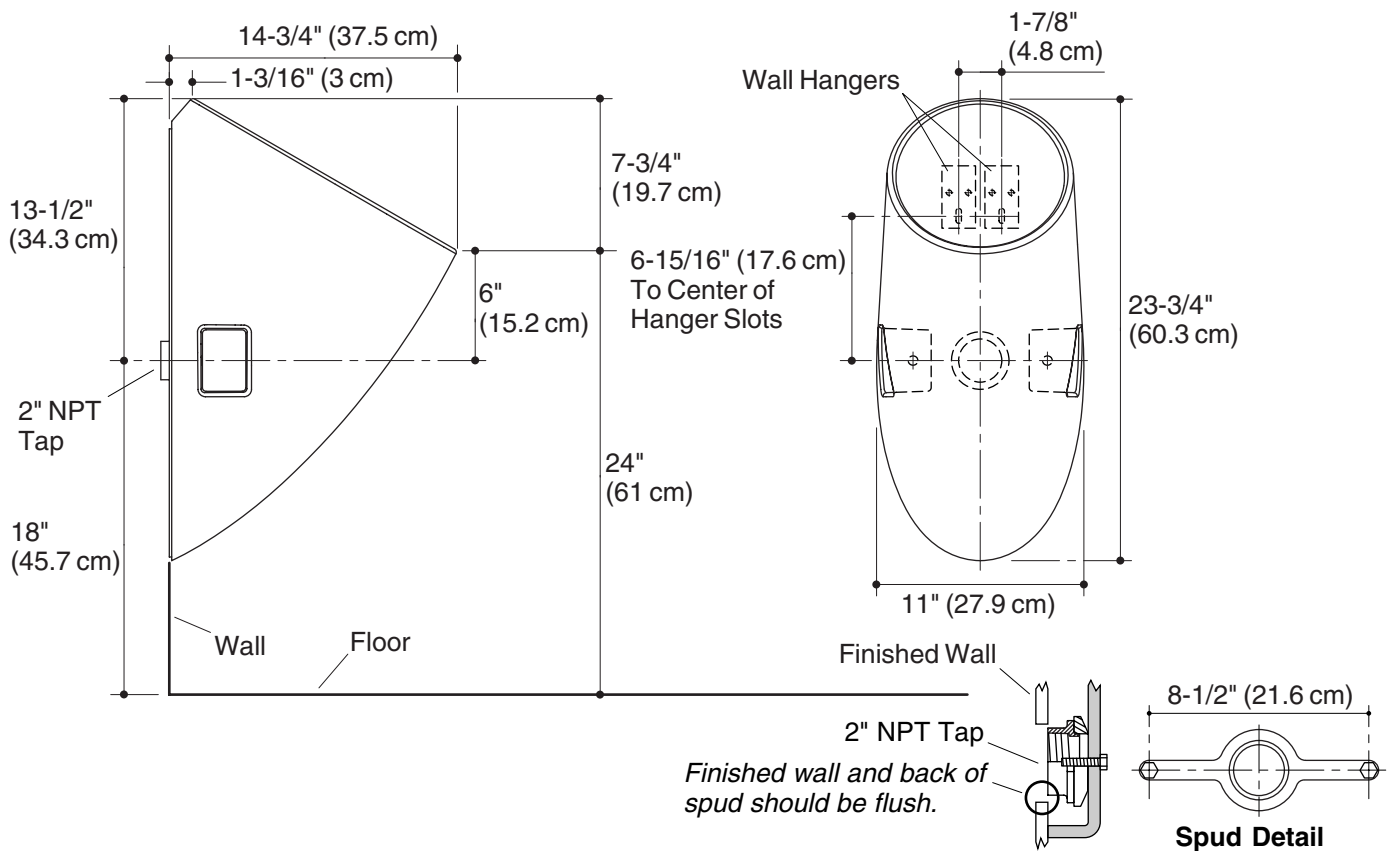
## Technical Information

Included components:	
2" outlet spud	1045415
Strainer	1046455
Hanger (2 required)	64512

## Installation Notes

Install this product according to the installation guide.

Roughing-in remains the same when using the optional 3" outlet spud.



## Product Diagram