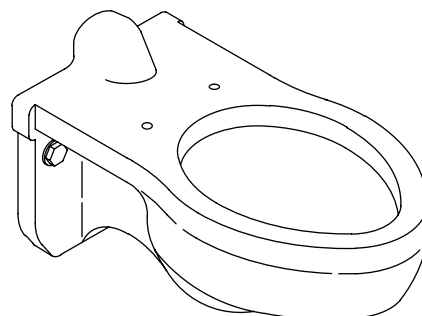


WATER-GUARD® BOWL K-4460-C

ADA

Features

- Vitreous china
- Elongated bowl
- ADA compliant when installed at required height of 17" (43.2 cm) - 19" (48.3 cm) from floor to top of seat
- Blow-out
- Wall-mount
- 3.5 gpf (13.2 lpf)
- 1-1/2" rear spud
- 14-3/8" (36.5 cm) x 11-1/4" (28.6 cm) water area
- 21-1/2" (54.6 cm) x 14" (35.6 cm) x 15-1/4" (38.7 cm)



Codes/Standards Applicable

Specified model meets or exceeds the following:

- ADA
- ASME A112.19.2
- IAPMO/UPC
- ICC/ANSI A117.1
- Energy Policy Act of 1992 (EPACT)

Colors/Finishes

- 0: White

Accessories:

- 0: White
- Other: Refer to Price Book for additional colors/finishes

Specified Model

Model	Description	Colors/Finishes
K-4460-C	Elongated bowl toilet	<input type="checkbox"/> 0

Recommended Accessories			
K-4670-C	Lustra™ open front seat	<input type="checkbox"/> 0	<input type="checkbox"/> Other _____
K-4670-CA	Lustra open front seat with anti-microbial agent	<input type="checkbox"/> 0	

Product Specification

The elongated, wall-mount, blow-out bowl shall have a 1-1/2" rear spud. Bowl shall be made of vitreous china. Bowl shall have 14-3/8" (36.5 cm) by 11-1/4" (28.6 cm) water area. Bowl shall be 3.5 gpf (13.2 lpf). Bowl shall be ADA compliant when installed at required height of 17" (43.2 cm) - 19" (48.3 cm) from floor to top of seat. Bowl shall be 21-1/2" (54.6 cm) in length, 14" (35.6 cm) in width, and 15-1/4" (38.7 cm) in height. Bowl shall be Kohler Model K-4460-C-0.

SIFTON™

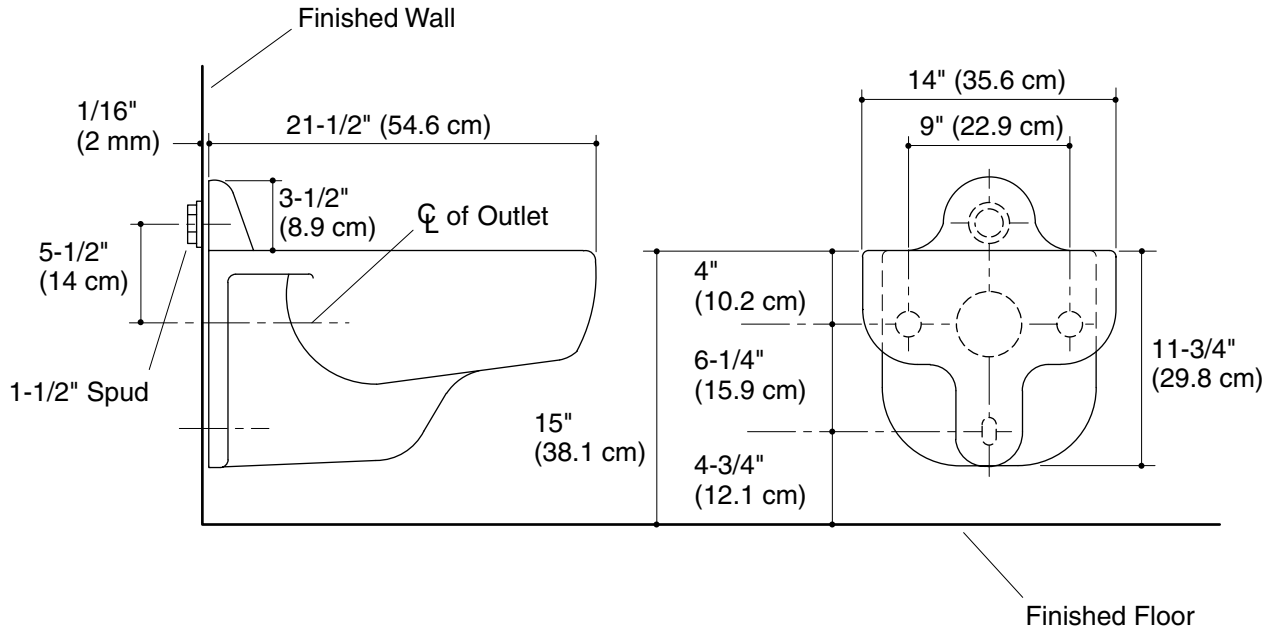
Technical Information

Fixture is ADA compliant when installed at required height of 17" (43.2 cm) - 19" (48.3 cm).	
ADA	
Fixture:	
Configuration	Rear spud, elongated
Water per flush	3.5 gal (13.2 L)*
Spud size	1-1/2"
Passageway	2-5/8" (6.7 cm)
Water area	14-3/8" (36.5 cm) x 11-1/4" (28.6 cm)
Water depth from rim	5-3/8" (13.7 cm)
Seat post hole centers	5-1/2" (14 cm)
Minimum running pressure required	25 psi (172.4 kPa)
* Designed to flush with 3.5 gal (13.2 L) of water when installed with a 3.5 gpf (13.2 lpf) valve.	

Included components:	
Spud	18357

Installation Notes

Install this product according to the installation guide. Refer to manufacturer and local codes for flush valve requirements.



Product Diagram