

STEAM GENERATOR K-1659

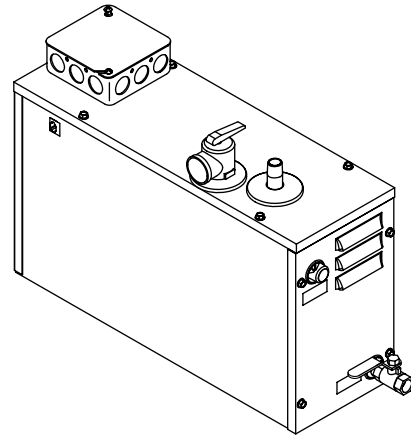
Features

- 3 year warranty
- Steam generators can be installed up to 25' (7.6 m) away from steam bath area

Codes/Standards Applicable

Specified model meets or exceeds the following:

- UL 499
- CAN/CSA C22.2 No. 88



Colors/Finishes

- NA: None applicable

Accessories:

- CP: Polished Chrome
- PB: Polished Brass
- Other: Refer to Price Book for additional colors/finishes

Specified Model

Model	Description	Colors/Finishes		
K-1659	11 kW steam generator	<input type="checkbox"/> NA		
Required Accessories				
K-1663	Steam head and control panel	<input type="checkbox"/> CP	<input type="checkbox"/> PB	<input type="checkbox"/> Other_____

Product Specification:

The 11 kW steam generator shall have a three-year warranty. Product may be installed up to 25' (7.6 m) away from the steam bath area. Steam generator shall be Kohler Model K-1659.

Technical Information

Water and drain requirements:	
Water supply	3/8" copper line, 3/8" NPT female thread
Steam line	1/2" copper line, 1/2" NPT female thread
Pressure relief valve	3/4" NPT female thread, valve supplied
Drain line	3/8" copper line, 3/8" NPT female thread, ball valve supplied
Generator:	
Weight	19-1/2 lbs (8.8 kg)
Electrical rating	240 V, 60 Hz, 48 A

Required Electrical Service

Dedicated circuit required:	
Generator	11 kW, 240 V, 75 A, 60 Hz

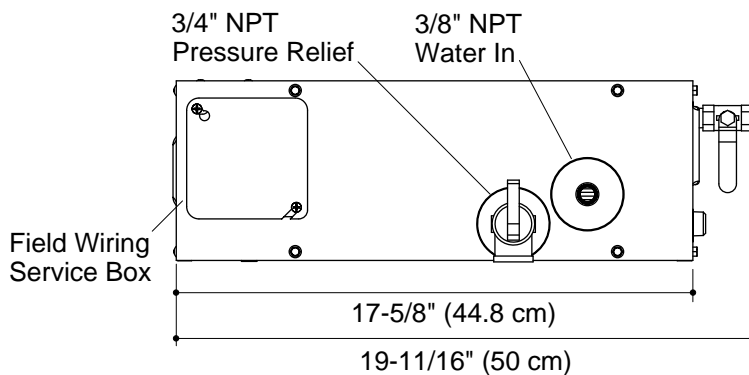
Installation Notes

Install this product according to the installation guide.

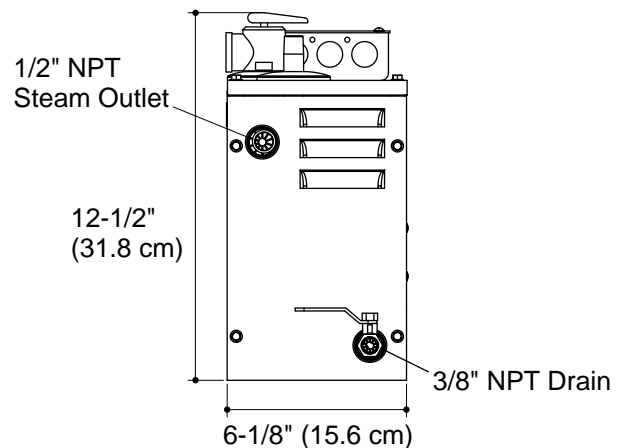
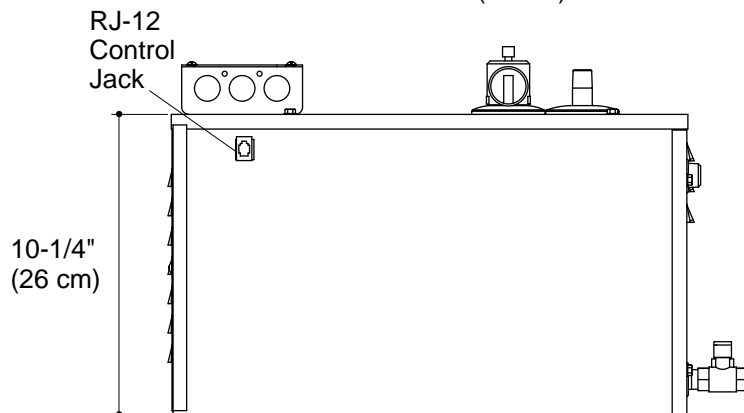
Calculate the area of the enclosure (length x width x height).

For this steam generator, do not exceed the rating by material:

Acrylic or gel coat	650 cubic feet (18.4 cubic meters)
Corian (ceramic tile on sheet rock)	425 cubic feet (12 cubic meters)
Glass tile	315 cubic feet (8.9 cubic meters)
Natural stone tile 3/8" (1 cm) to 1/2" (1.3 cm)	255 cubic feet (7.2 cubic meters)
Natural stone slab 3/4" (1.9 cm) to 1" (2.5 cm)	230 cubic feet (6.5 cubic meters)



Minimum required access is
20" (50.8 cm) L x 13" (33 cm) H x
6-1/2" (16.5 cm) W.



Product Diagram