

STEAM GENERATOR K-1658

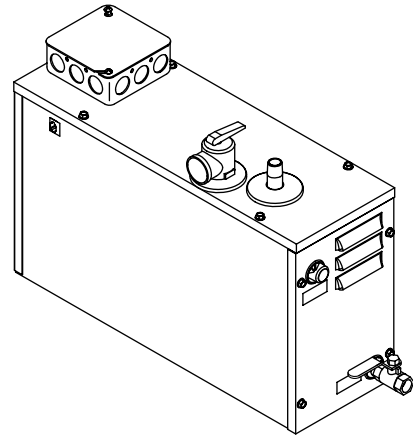
Features

- 3 year warranty
- Steam generators can be installed up to 25' (7.6 m) away from steam bath area

Codes/Standards Applicable

Specified model meets or exceeds the following:

- UL 499
- CAN/CSA C22.2 No. 88



Colors/Finishes

- NA: None applicable

Accessories:

- CP: Polished Chrome
- PB: Polished Brass
- Other: Refer to Price Book for additional colors/finishes

Specified Model

Model	Description	Colors/Finishes
K-1658	9 kW steam generator	<input type="checkbox"/> NA
Required Accessories		
K-1663	Steam head and control panel	<input type="checkbox"/> CP <input type="checkbox"/> PB <input type="checkbox"/> Other_____

Product Specification:

The 9 kW steam generator shall have a three-year warranty. Product may be installed up to 25' (7.6 m) away from the steam bath area. Steam generator shall be Kohler Model K-1658.

Technical Information

Water and drain requirements:	
Water supply	3/8" copper line, 3/8" NPT female thread
Steam line	1/2" copper line, 1/2" NPT female thread
Pressure relief valve	3/4" NPT female thread, valve supplied
Drain line	3/8" copper line, 3/8" NPT female thread, ball valve supplied
Generator:	
Weight	19-1/2 lbs (8.8 kg)
Electrical rating	240 V, 60 Hz, 45 A

Required Electrical Service

Dedicated circuit required:	
Generator	9 kW, 240 V, 50 A, 60 Hz

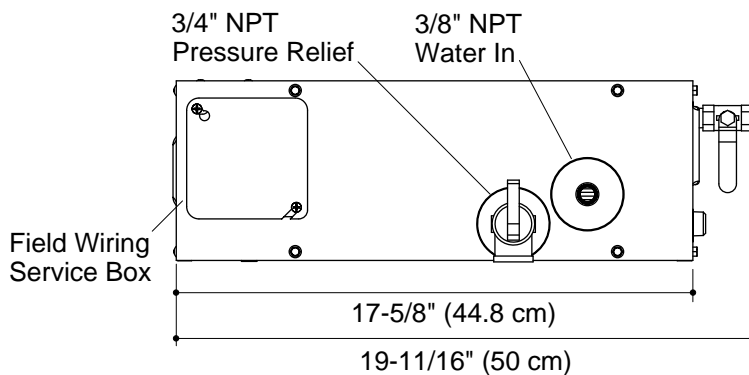
Installation Notes

Install this product according to the installation guide.

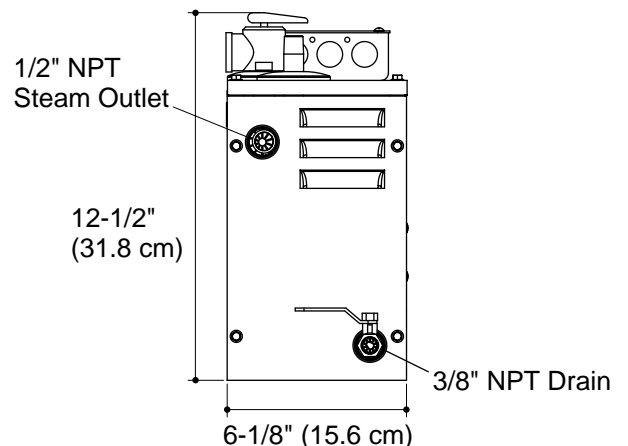
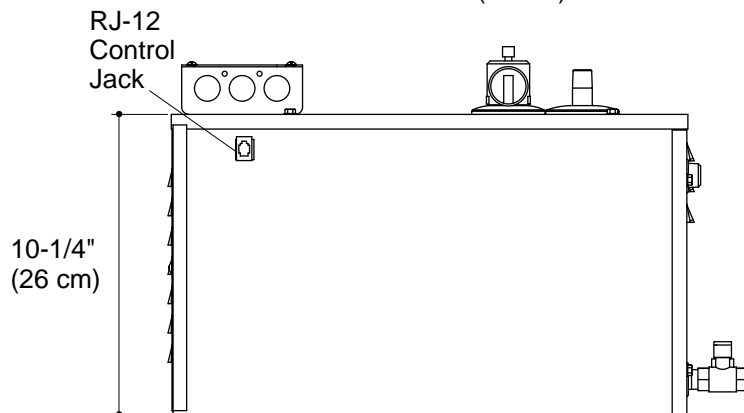
Calculate the area of the enclosure (length x width x height).

For this steam generator, do not exceed the rating by material:

Acrylic or gel coat	500 cubic feet (14.2 cubic meters)
Corian (ceramic tile on sheet rock)	325 cubic feet (9.2 cubic meters)
Glass tile	240 cubic feet (6.8 cubic meters)
Natural stone tile 3/8" (1 cm) to 1/2" (1.3 cm)	195 cubic feet (5.5 cubic meters)
Natural stone slab 3/4" (1.9 cm) to 1" (2.5 cm)	175 cubic feet (4.9 cubic meters)



Minimum required access is 20" (50.8 cm) L x 13" (33 cm) H x 6-1/2" (16.5 cm) W.



Product Diagram