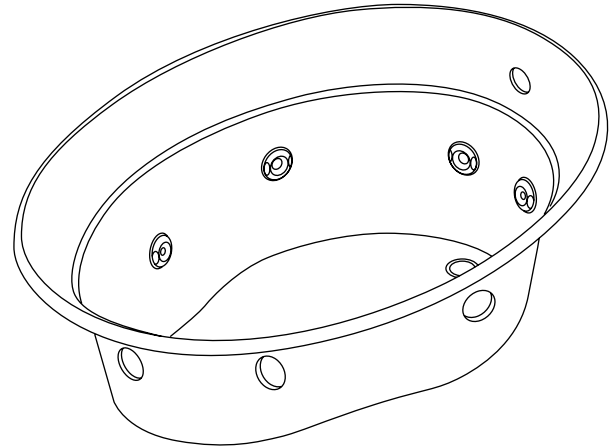


5' BATH WHIRLPOOL K-1337

Features

- Acrylic
- Oval shape
- Drop-in
- 1.25 hp pump with air switch and grounding-type plug-in cord
- Optional K-1491 removable bath pillow
- Optional K-1717 timer kit
- Optional K-9698 whirlpool trim kit in various finishes
- 8 individually adjustable ProFlex® hydro-massage jets
- Textured bottom surface
- 60" (152.4 cm) x 42-1/4" (107.3 cm) x 21" (53.3 cm)



Codes/Standards Applicable

Specified model meets or exceeds the following:

- ANSI Z124.1.2
- ASME A112.19.7M
- IAPMO/UPC
- Underwriters Laboratories (UL)

Colors/Finishes

- 0: White
- Other: Refer to Price Book for additional colors/finishes

Accessories:

- 0: White
- CP: Polished Chrome
- PB: Polished Brass
- NA: None applicable
- Other: Refer to Price Book for additional colors/finishes

Specified Model

Model	Description	Colors/Finishes		
K-1337	5' bath whirlpool	<input type="checkbox"/> 0	<input type="checkbox"/> Other_____	
Recommended Accessories				
K-7166-AF	Drain	<input type="checkbox"/> CP	<input type="checkbox"/> PB	<input type="checkbox"/> Other_____
Optional Accessories				
K-1491	Pillow	<input type="checkbox"/> 0	<input type="checkbox"/> Other_____	
K-1717	20-minute timer kit	<input type="checkbox"/> NA		
K-9698	Flexjet trim kit (metal finishes)	<input type="checkbox"/> CP	<input type="checkbox"/> PB	<input type="checkbox"/> Other_____

Product Specification

The oval bath whirlpool shall be 60" (152.4 cm) in length, 42-1/4" (107.3 cm) in width, and 21" (53.3 cm) in height. The bath whirlpool shall be made of acrylic for drop-in installation. The bath whirlpool shall have 8 individually adjustable ProFlex® hydro-massage jets, and a 1.25 hp pump with air switch and grounding-type plug-in cord. The bath whirlpool shall have a textured bottom surface. The bath whirlpool shall have an optional K-9698 jet trim kit, an optional K-1717 20-minute timer kit, and an optional K-1491 removable pillow. The bath whirlpool shall be Kohler Model K-1337-_____.

SERIF®

Technical Information

Fixture*:	
Basin area:	
Bathing well	42" (106.7 cm) x 28" (71.1 cm)
Top area	55" (139.7 cm) x 40" (101.6 cm)
To overflow:	
Water depth	15-1/2" (39.4 cm)
Capacity	73 gal (276.3 L)
Weight	110 lbs (49.9 kg)
* Approximate measurements for comparison only.	

Pump:	Hp	V	Hz	A
1-speed	1.25	120	60	7.5

Included components:	
Cutout template	1017044-7

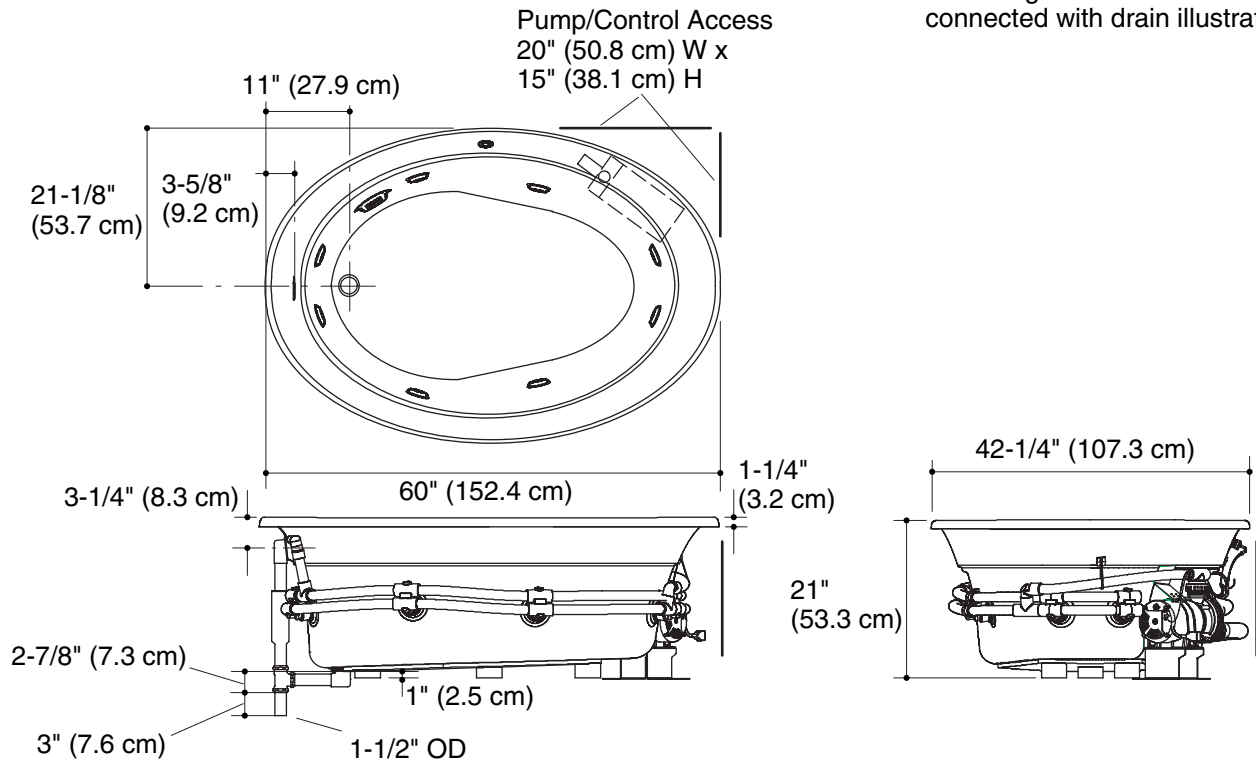
Required Electrical Service

Dedicated circuit required, protected with Class A Ground-Fault Circuit-Interrupter (GFCI):	
Pump/control	120 V, 15 A, 60 Hz
Locate the outlet behind the whirlpool and within 24" (61 cm) of the pump.	

Installation Notes

Install this product according to the installation guide.

Floor support under whirlpool must provide for a minimum of 42 lbs/square foot (207 kg/square meter) loading.



No change in measurements if connected with drain illustrated.

Product Diagram