



Mito™ 6 Whirlpool Bath

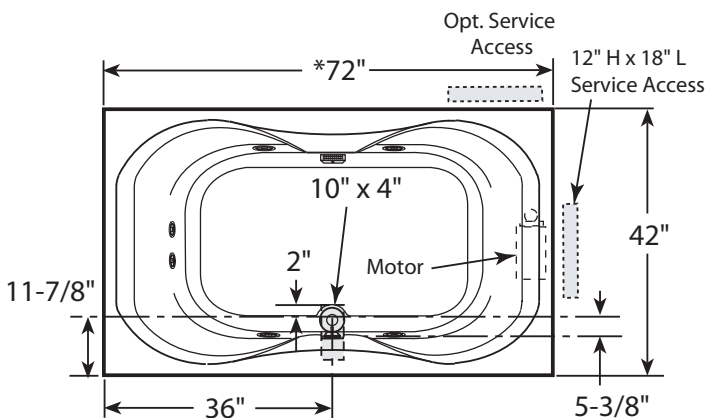
H523 Mito™ 6 Whirlpool Bath, Right Hand Pump

H522 Mito™ 6 Whirlpool Bath, Left Hand Pump

Mito™ 6 Soaker Bath

H524 Mito™ 6 Bath

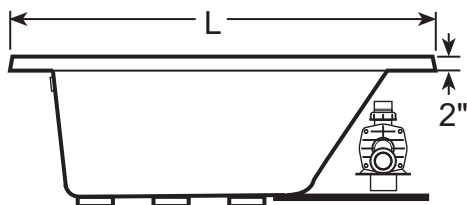
- Center Drain Location
- Accessories / Hardware:
 - Trip-Lever Drain Kit #X559
 - Rotary Drain Kit, 26" Cable #8730
 - TheraPro Jet Trim Kit: #GU44
 - AccuPro Jet Trim Kit: #GU45
- Trim Kit Finishes Available:
 - (827) – Chrome
 - (826) – Brushed Nickel
 - (849) – Oil Rubbed Bronze



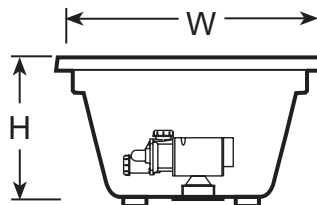
Product Shown: Mito® 6 Whirlpool Bath Right Hand Shown

Model: H523

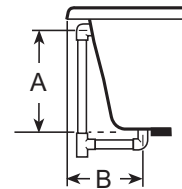
* Measurements inside unit represent cutout in floor to allow for drain/overflow. Minimum Service Access dimensions given.



SIDE VIEW



END VIEW



DRAIN/OVERFLOW

INSTALLATION NOTES

Refer to installation instructions included with fixture before beginning installation. Please confirm product availability and specifications before commencing with any installation work.

PRODUCT SPECIFICATIONS AND AVAILABILITY ARE SUBJECT TO CHANGE WITHOUT NOTICE.

Technical Specifications

DIMENSIONS

72" L x 42" W x 21-1/2" H
(1829 mm) L x (1067 mm) W x (546 mm) H

DRAIN/OVERFLOW

A: 17-1/2" (445 mm) B: 11-7/8" (302 mm)

CUTOUT

70" x 40"

TOTAL WEIGHT

H522, H523: 1209 lb (548 kg) / 58 lb/sq. ft. (283 kg/m²)
H524: 1179 lb (535 kg) / 56 lb/sq. ft. (273 kg/m²)

OPERATING GALLONAGE

Min. 57 U.S. Gal. (216 Liters)
Max. 95 U.S. Gal. (360 Liters)

PRODUCT WEIGHT

H522, H523: 118 lb (50 kg)
H524: 88 lb (40 kg)

SKIRT MOUNTING

Not Available

ELECTRICAL SPECIFICATIONS MODELS H522, H523 ONLY

Requires a dedicated GFCI protected separate circuit.
Motor/Pump: 120 VAC, 15 AMP, 60 Hz.
RapidHeat™: 120 VAC, 15 AMP, 60 Hz.

HEATER (OPTIONAL) MODELS H522, H523 ONLY

Requires a dedicated GFCI protected separate circuit.
RapidHeat™: P/N S750000