



Mito™ 6 Whirlpool Plus Bath

- EP10 Mito™ 6 Whirlpool Bath, Right Hand Pump
- EP20 Mito™ 6 Whirlpool Bath, Left Hand Pump

- Center Drain Location
- Accessories / Hardware:
 - Trip-Lever Drain Kit #X559
 - Rotary Drain Kit, 26" Cable #8730
 - Therapro Jet Trim Kit: #GU44
 - AccuPro Jet Trim Kit: #GU45 (2 kits required)
- Trim Kit Finishes Available:
 - (827) – Chrome
 - (826) – Brushed Nickel
 - (849) – Oil Rubbed Bronze

INSTALLATION NOTES

Refer to installation instructions included with fixture before beginning installation. Please confirm product availability and specifications before commencing with any installation work.

PRODUCT SPECIFICATIONS AND AVAILABILITY ARE SUBJECT TO CHANGE WITHOUT NOTICE.

Technical Specifications

DIMENSIONS

72" L x 42" W x 21½" H
(1829 mm) L x (1067 mm) W x (546 mm) H

DRAIN/OVERFLOW

A: 17½" (445 mm) B: 11⅞" (302 mm)

CUTOUT

70" x 40"

TOTAL WEIGHT

1118 lb (507 kg) / 53 lb/sq. ft. (259 kg/m²)

OPERATING GALLONAGE

85 U.S. Gal. (322 Liters)

PRODUCT WEIGHT

110 lb (50 kg)

SKIRT MOUNTING

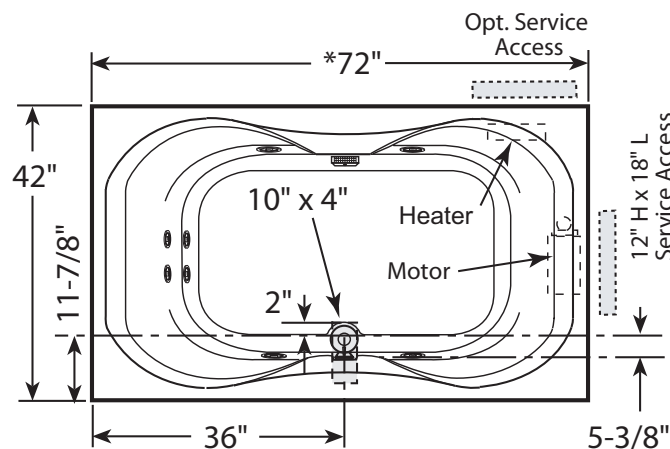
Not Available

ELECTRICAL SPECIFICATIONS

Requires a dedicated GFCI protected separate circuit.
Motor/Pump: 120 VAC, 15 AMP, 60 Hz.
RapidHeat™: 120 VAC, 15 AMP, 60 Hz.

HEATER

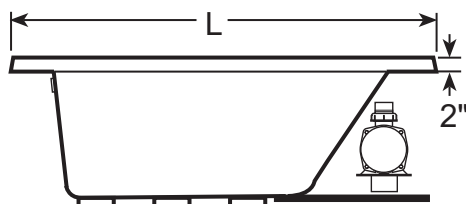
Requires a dedicated GFCI protected separate circuit.
RapidHeat™: P/N S750000



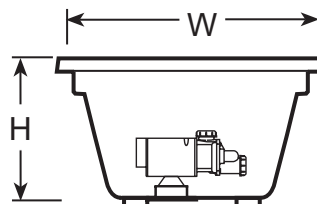
Product Shown: Mito™ 6 Whirlpool Plus Bath Right Hand Shown
Model: EP10

* Measurements inside unit represent cutout in floor to allow for drain/overflow.

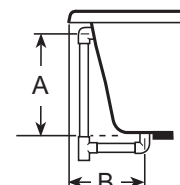
Minimum Service Access dimensions given.



SIDE VIEW



END VIEW



DRAIN/OVERFLOW