



# Mito™ 5 Whirlpool Plus Bath

- EN90** Mito™ 5 Whirlpool Bath, Right Hand Pump
- EP00** Mito™ 5 Whirlpool Bath, Left Hand Pump

- Center Drain Location
- Accessories / Hardware:
  - Trip-Lever Drain Kit #X559
  - Rotary Drain Kit, 26" Cable #8730
  - TheraPro Jet Trim Kit: #GU44
  - AccuPro Jet Trim Kit: #GU45
- Trim Kit Finishes Available:
  - (827) – Chrome
  - (826) – Brushed Nickel
  - (849) – Oil Rubbed Bronze

## INSTALLATION NOTES

Refer to installation instructions included with fixture before beginning installation. Please confirm product availability and specifications before commencing with any installation work.

PRODUCT SPECIFICATIONS AND AVAILABILITY ARE SUBJECT TO CHANGE WITHOUT NOTICE.

## Technical Specifications

### DIMENSIONS

60" L x 42" W x 21" H  
(1524 mm) L x (1067 mm) W x (533 mm) H

### DRAIN/OVERFLOW

A: 17-1/2" (445 mm) B: 11-7/8" (302 mm)

### CUTOUT

58" x 40"

### TOTAL WEIGHT

958 lb (435 kg) / 55 lb/sq. ft. (269 kg/m<sup>2</sup>)

### OPERATING GALLONAGE

Min. 39 U.S. Gal. (148 Liters)  
Max. 73 U.S. Gal. (276 Liters)

### PRODUCT WEIGHT

100 lb (45 kg)

### SKIRT MOUNTING

Optional U-Frame: P/N P955

### ELECTRICAL SPECIFICATIONS

Requires a dedicated GFCI protected separate circuit.

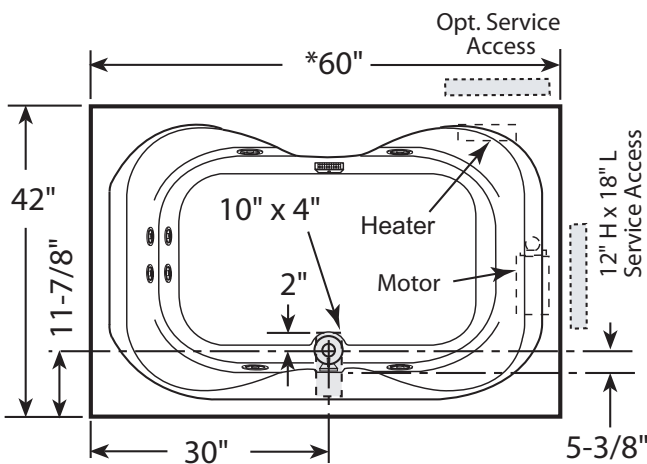
Motor/Pump: 120 VAC, 15 AMP, 60 Hz.

RapidHeat™: 120 VAC, 15 AMP, 60 Hz.

### HEATER

Requires a dedicated GFCI protected separate circuit.

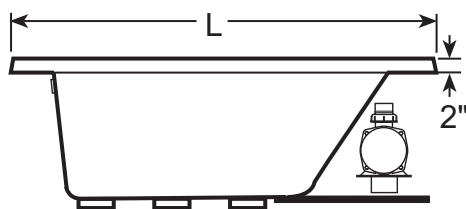
RapidHeat™: P/N S750000



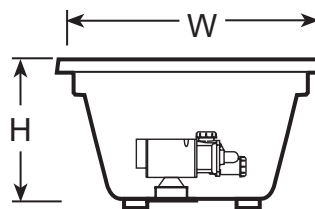
**Product Shown: Mito™ 5 Whirlpool Plus Bath Right Hand Shown Model: EN90**

\* Measurements inside unit represent cutout in floor to allow for drain/overflow.

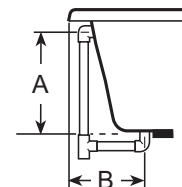
Minimum Service Access dimensions given.



**SIDE VIEW**



**END VIEW**



**DRAIN/OVERFLOW**