



Fresco® Pure Air® II Bath

Y950 Fresco® Pure Air® II Bath Right Hand

- Center Drain Location
- Accessories / Hardware:
 - Trip-Lever Drain Kit: #X559
 - Rotary Drain Kit, 26" Cable: #8730
- Trim Kit Finishes Available:
 - (827) – Chrome
 - (898) – Brushed Chrome
 - (815) – Satin Nickel
 - (829) – Bright Brass
 - (805) – Platinum
 - (826) – Brushed Nickel
 - (845) – Oil Rubbed Bronze

INSTALLATION NOTES

Refer to installation instructions included with fixture before beginning installation. Please confirm product availability and specifications before commencing with any installation work.

PRODUCT SPECIFICATIONS AND AVAILABILITY ARE SUBJECT TO CHANGE WITHOUT NOTICE.

Technical Specifications

DIMENSIONS

71-1/2" L x 42" W x 27-1/4" H
(1816 mm) L x (1067 mm) W x (692 mm) H

DRAIN/OVERFLOW

A: 20-1/8" (511 mm) B: 11-3/4" (299 mm)

CUTOUT

Template Provided: P/N P188000

TOTAL WEIGHT

1050 lb (476kg) / 50 lb/sq. ft. (224 kg/m²)

OPERATING GALLONAGE

60 U.S. Gal. (227 Liters)
Max. 90 U.S. Gal. (340 Liters)

PRODUCT WEIGHT

146 lb (66 kg)

SKIRT MOUNTING

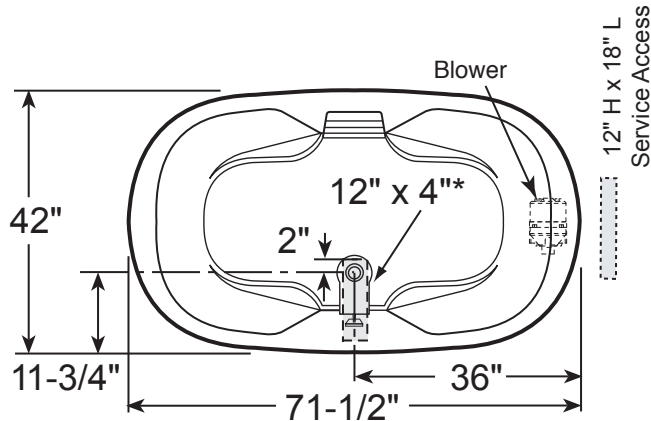
Not Available

ELECTRICAL SPECIFICATIONS

Requires a dedicated GFCI protected separate circuit.
Blower: 120 VAC, 15 AMP, 60 Hz.

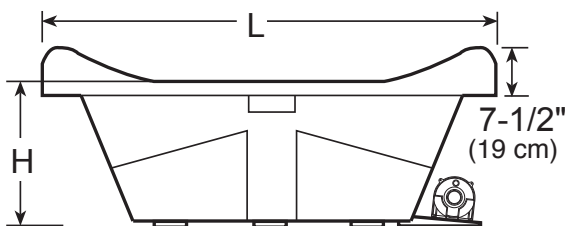
HEATER

No water heater is available on this unit. Blower has integral air heater.

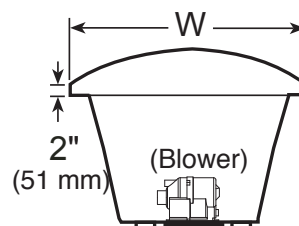


Product Shown: Fresco® Pure Air® II Bath Right Hand Shown
Model: Y950

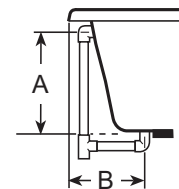
* Measurements inside unit represent cutout in floor to allow for drain/overflow. Minimum Service Access dimensions given.



SIDE VIEW



END VIEW



DRAIN/OVERFLOW