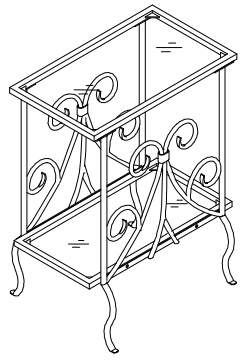
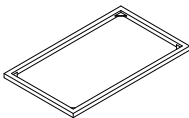
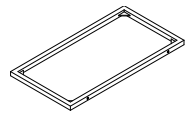

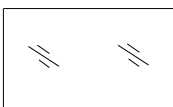
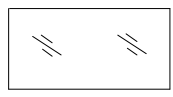


Style No. OC134900TX
 DECORATIVE MAGAZINE TABLE

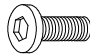





RELAX...if you can follow a few easy, step-by-step directions in order, YOU CAN ASSEMBLE THIS ITEM.

PARTS LIST

1 	2 	3 	4 	5 
TOP FRAME 1PC	SHELF FRAME 1PC	SIDE PANEL 2 PC	BIG TOP GLASS 1 PC	SMALL SHELF GLASS 1 PC

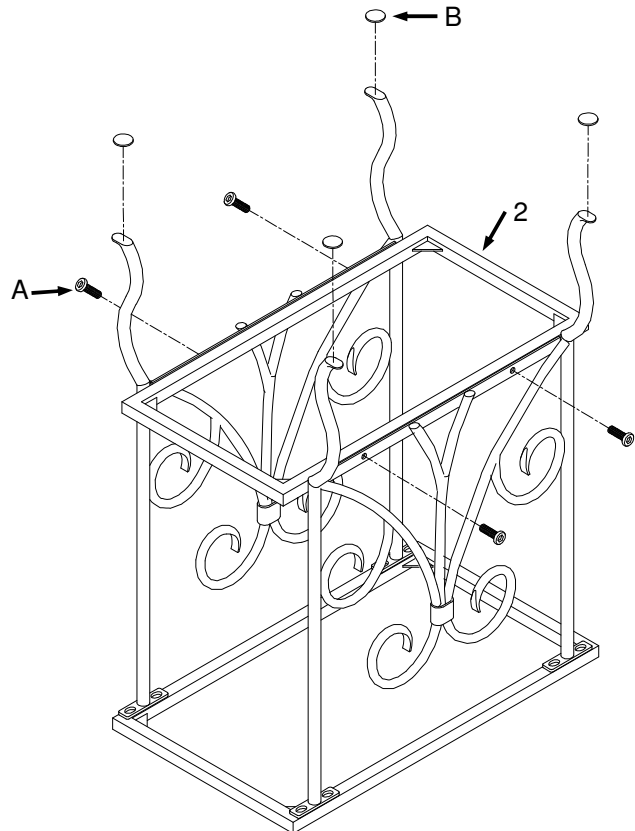
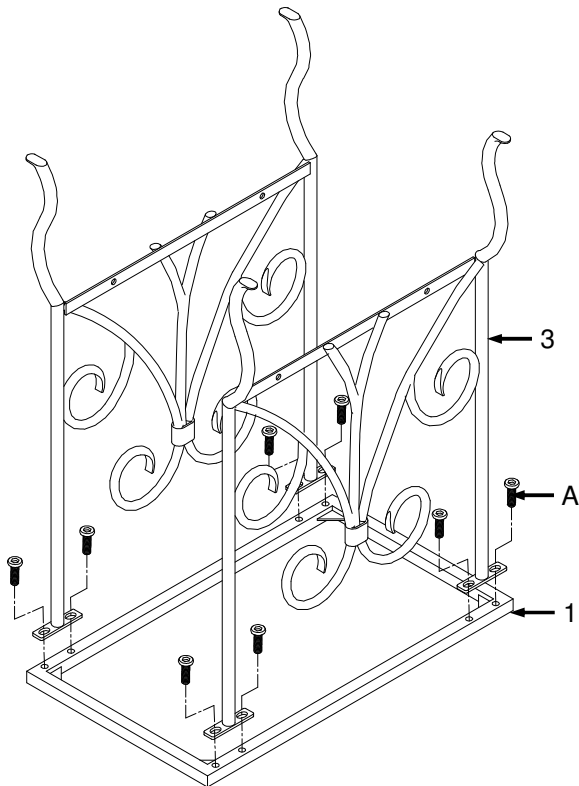
HARDWARE LIST

A 	B 	C 	D 
SCREW 1/4"x1/2" 12 PCS	FOOT ADHESIVE PAD 4PCS	GLASS PAD 8PCS	WRENCH 1 PC

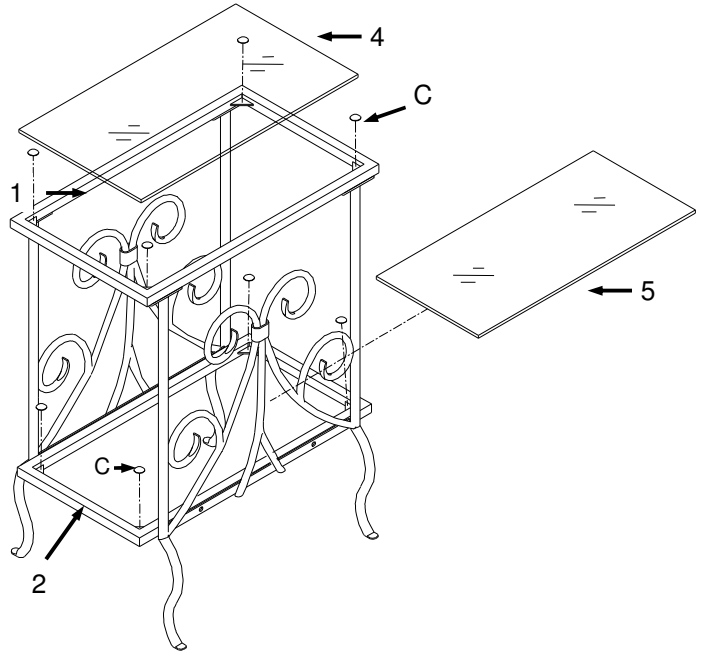
*** DO not tighten screws & bolts until the entire unit is completely assembled.**

1/ Attach (3) side panel to (1) top frame by using screw (A) as shown .

2/ Attach (2) shelf frame to (3) side panel by using screw (A) as shown and put foot adhesive pad (B) onto the end of side panel.



3/ Turn the table upside down and insert (C) glass pad onto (1) top frame & (2) shelf frame as shown, then insert (4) big top glass and (5) small shelf glass as shown.



YOUR NEW DECORATIVE MAGAZINE TABLE IS FINISHED AND READY TO USE.



SOUTHERN ENTERPRISES, INC
P.O. Box 59996 Dallas, Texas 75229

THIS PRODUCT IS NOT INTENDED FOR COMMERCIAL USE

Please count, identify and compare parts and hardware list to be sure all parts are present. It may help to divide parts and label them to correspond with part list. Extra hardware may be included. If any items are missing, please contact our parts/service department at (800) 633-5096 or in Dallas (972) 869-0111/9am - 4pm Mon-Fri Central time. Missing or damaged hardware and / or parts will be replaced free of charge. WE DO NOT SELL PARTS. WE DO NOT RECOMMEND MODIFYING PRODUCT(S) AND WE ARE NOT RESPONSIBLE FOR ANY DAMAGES DUE TO PRODUCT MODIFICATION(S). If this product has not been purchased from our retail affiliates (within 9 months), we are under no obligation to provide parts or replacement merchandise. Parts will not be available for items arrived fully assemble.

“We will ship parts if available” “This is not a warranty”

PARTS REPLACEMENT FORM

STYLE NO: OC134900TX

Customer Name

PARTS
LETTER

PARTS
DESCRIPTION

QUANTITY
NEEDED

Stree, City, State, Zip

Phone#



SOUTHERN ENTERPRISES INC..
P.O. Box 59996 Dallas, Texas 75229

Please indicate where you purchased this item.
Store/website/catalog

Please indicate color/ size/ style number.

