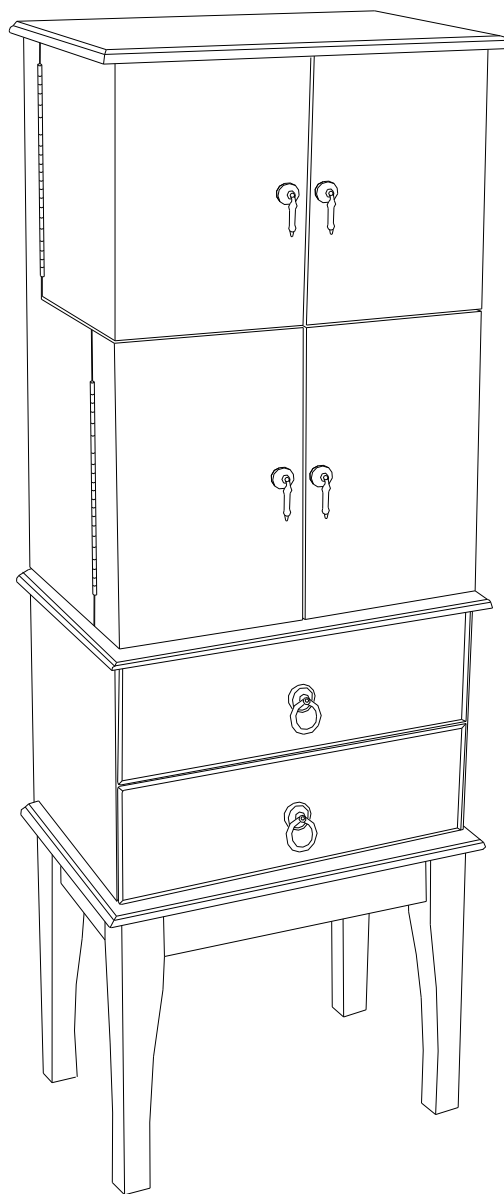




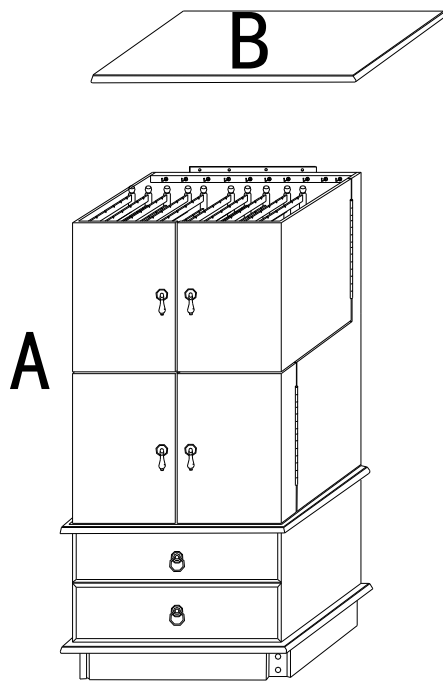
STYLE NO: GA1443 "CHERRY"
JEWELRY ARMOIRE

SOUTHERN ENTERPRISES INC.

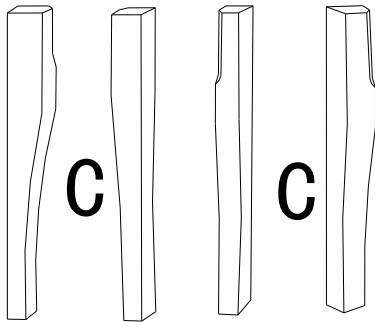
RELAX...If you can follow a few easy, step-by-step directions in order. YOU CAN ASSEMBLE THIS ITEM.



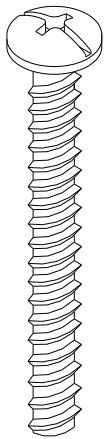
PARTS



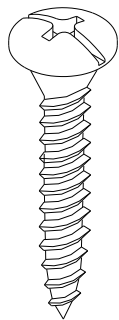
- (A) ARMOIRE
- (B) TOP
- (C) LEGS (4)



HARDWARE



D
(8 PCS)



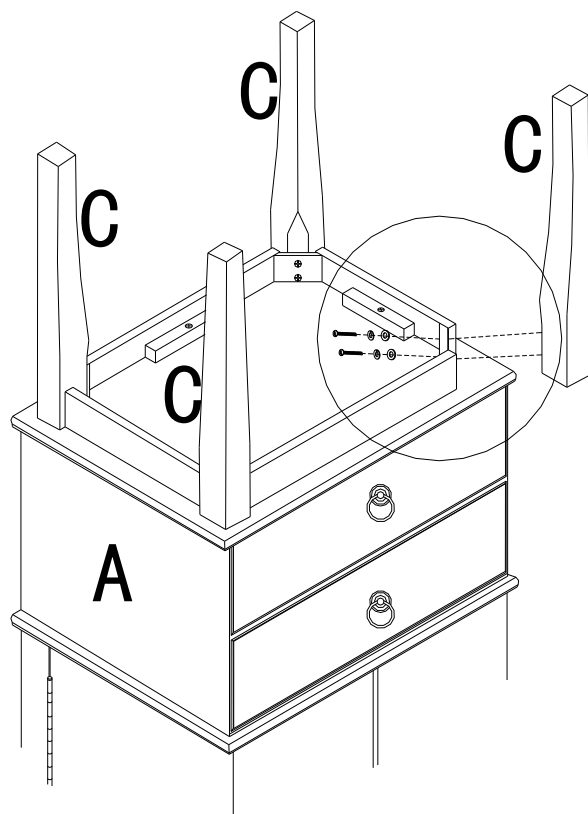
E
(4 PCS)



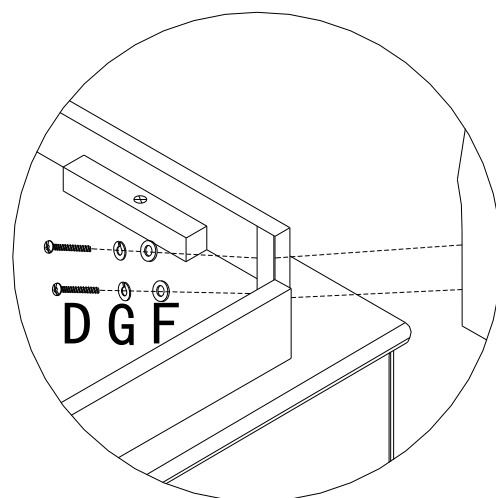
F
(8 PCS)



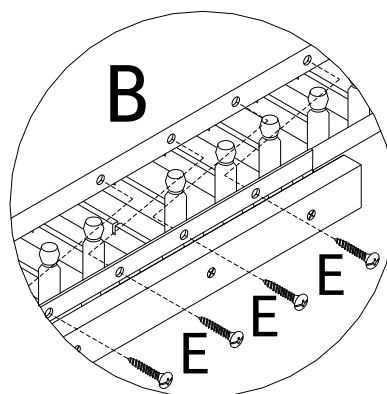
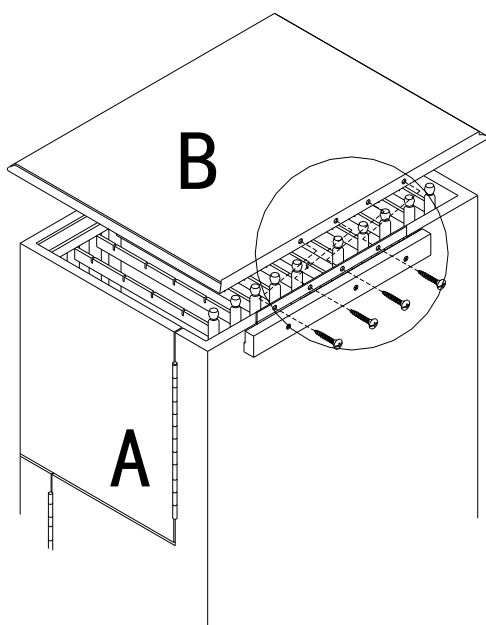
G
(8 PCS)



STEP 1



STEP 2



YOUR NEW BLACK OFFICE IN A BOX IS FINISHED AND READY TO USE.

Please count, identify and compare parts and hardware list to be sure all parts are present. It may help to divide parts and label them to correspond with part list. Extra hardware may be included. If any items are missing, please contact our parts/service department at (800) 633-5096 or in Dallas (972) 869-0111/9am-4pm Mon-Fri Central time. Missing or damaged hardware and / or parts will be replaced free of charge. WE DO NOT SELL PARTS. WE DO NOT RECOMMEND MODIFYING PRODUCT(S) AND WE ARE NOT RESPONSIBLE FOR ANY DAMAGES DUE TO PRODUCT MODIFICATION (S). If this product has not been purchased from our retail affiliates (within 9 months), we are under no obligation to provide parts or replacement merchandise. Parts will not be available for items arriving fully assembled.

PARTS REPLACEMENT FORM

STYLE NO: GA1443 "CHERRY"

Customer Name	PARTS LETTER	PART DESCRIPTION	QUANTITY NEEDED
---------------	--------------	------------------	-----------------

Street, City, State, Zip

Phone#



SOUTHERN ENTERPRISES INC.
P. O. Box 59996 Dallas, Texas 75229

Please indicate where you purchased this item.

Store/website/catalog

/ /

Please indicate color/size/style number

/ /