



STYLE NO.:BC922200TX- White Cottage Gossip Bench w/o cushion  
BC932200TX- Black Cottage Gossip Bench w/o cushion

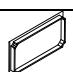

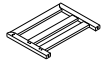









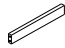

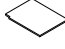

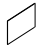

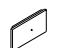

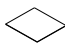
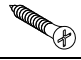






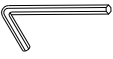
**SOUTHERN ENTERPRISES INC.**

NOTE.... This product has been engineered for easy assembly and constructed for durability. Please take time to read and follow assembly instructions.

## Assembly Instruction

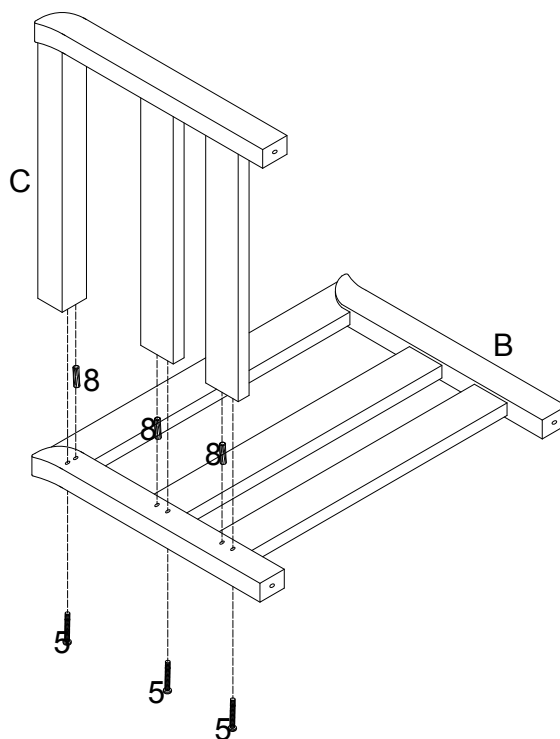


## PARTS AND HARDWARE LIST

No.	Description	Q'ty	Sketch	No.	Description	Q'ty	Sketch
A	Seat Panel	1		1	Right Bottom Glider	1	
B	Back Frame	1		2	Left Bottom Glider	1	
C	Side Frame	1		3	Right Top Glider	1	
D	Leg	4		4	Left Top Glider	1	
E	Left Side Panel	1		5	Long Bolt(1/4"*1-1/2"L)	11	
F	Right Side Panel	1		6	Short Bolt(1/4"*1-1/4"L)	5	
G	Front Cross Bar	1		7	Washer	8	
H	Top Panel	1		8	Wood Dowel(8*30mm)	11	
I	Back Panel	1		9	Cam Bolt	8	
J	Front Drawer Panel	1		10	Cam lock	8	
K	Bottom Drawer Panel	1		11	Long Wood Screw(6#*1"L)	8	
L	Rear Drawer Panel	1		12	Short Wood Screw(3*12mm)	12	
M	Right drawer Panel	1		13	Knob	1	
N	Left Drawer Panel	1		14	Small Bolt(5/32"*3/4"L)	1	
				15	Allen Wrench	1	

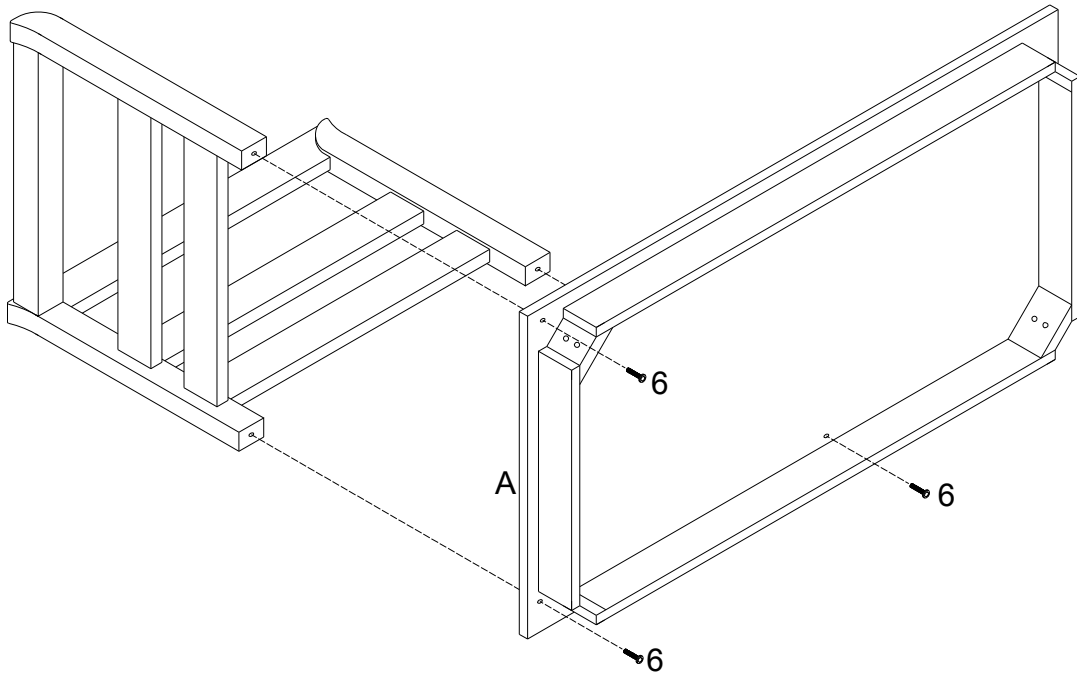
### **STEP 1**

Connect Back Frame (B), Side Frame (C) with 3pcs Wood Dowels (8) , 3pcs Long Bolts (5) ,tighten them with Allen Wrench (15) as figure shown.



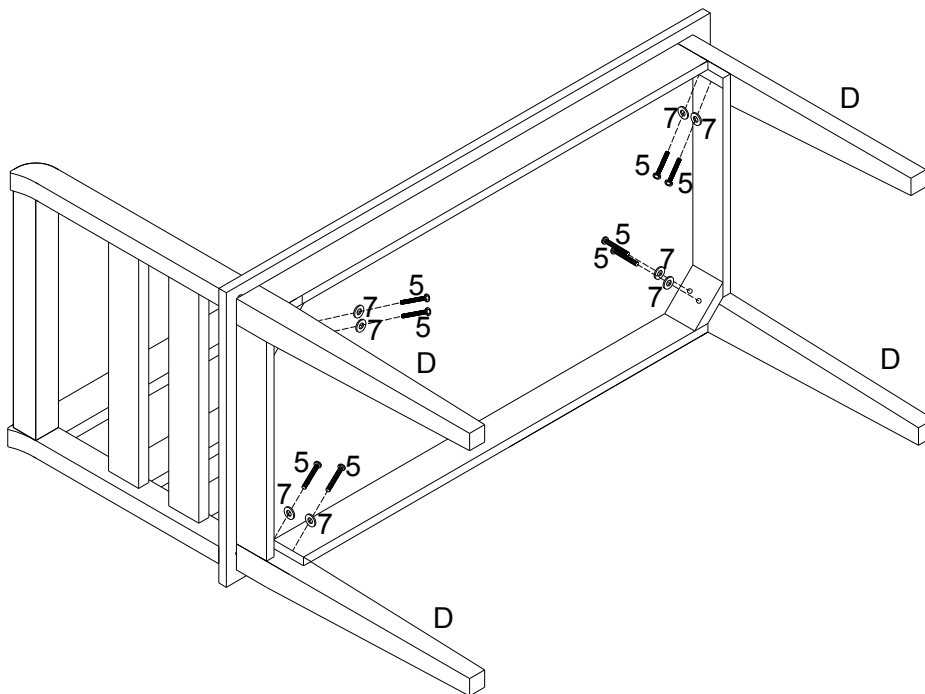
**STEP 2**

Attach the well-assembled unit to the Seat Panel (A) with 3pcs Short Bolts (6) ,tighten them with Allen Wrench (15) as figure shown.



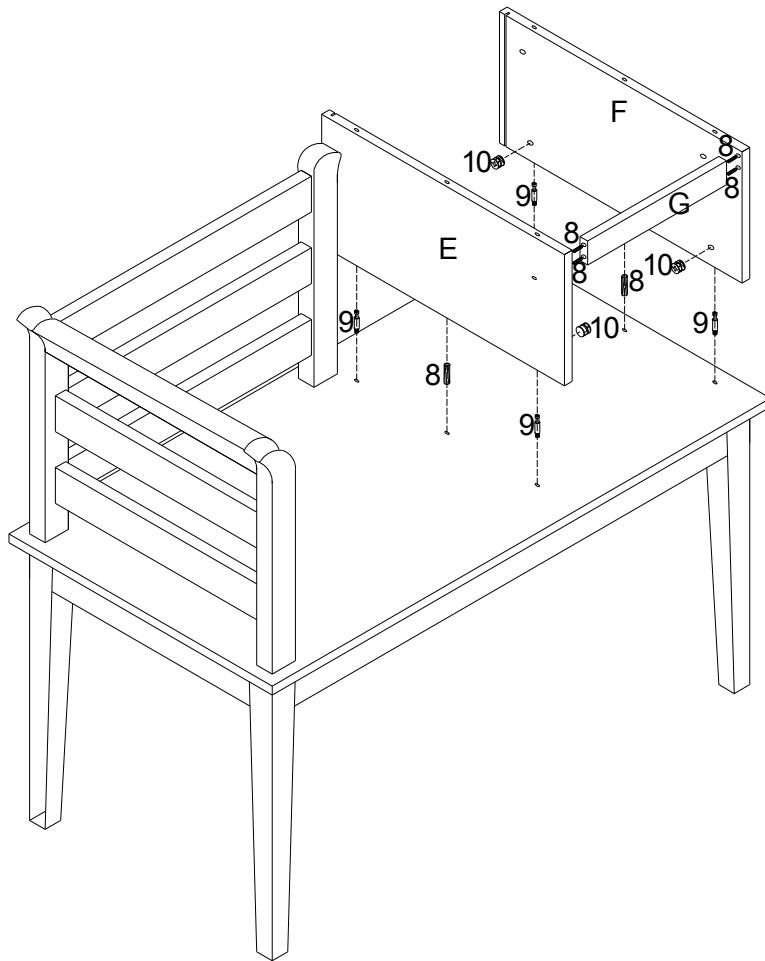
**STEP 3**

Attach the Legs (D)to the well-assembled unit with 8pcs Washers(7) , 8pcs Long Bolts (5) ,tighten them with Allen Wrench (15) as figure shown.



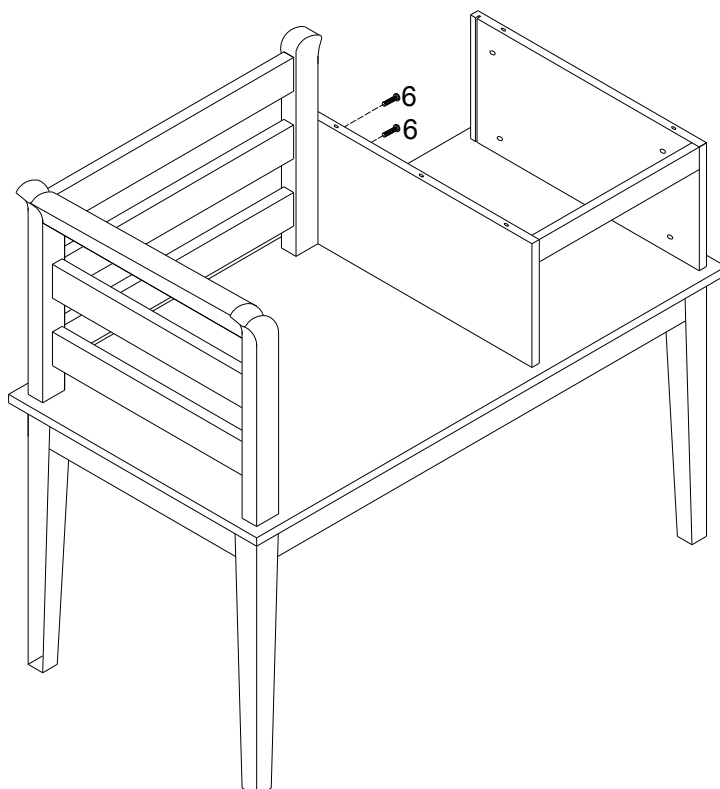
**STEP 4**

Connect Cross Bar (G), Left/Right Side Panel (E/F) with 6pcs Wood Dowels (8), 4pcs Cam Bolts(9) and 4pcs Cam locks (10), then tighten them with screwdriver (not included in hardware list) as figure shown.



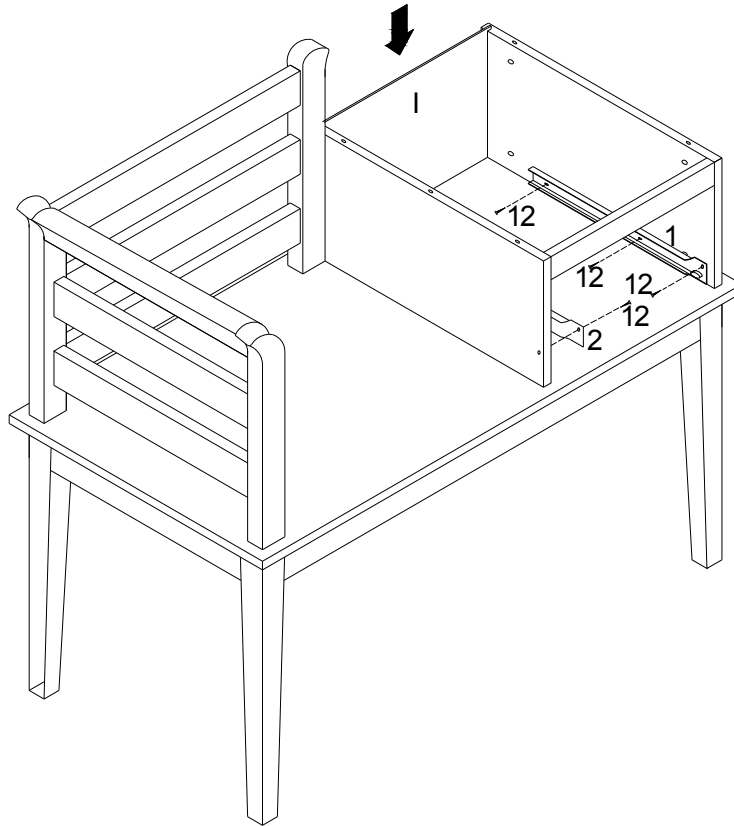
**STEP 5**

Lock up the Left Side Panel (E) and Back Frame (B) by using 2pcs Short Bolts (6), then tighten them with Allen Wrench (11) as figure shown.



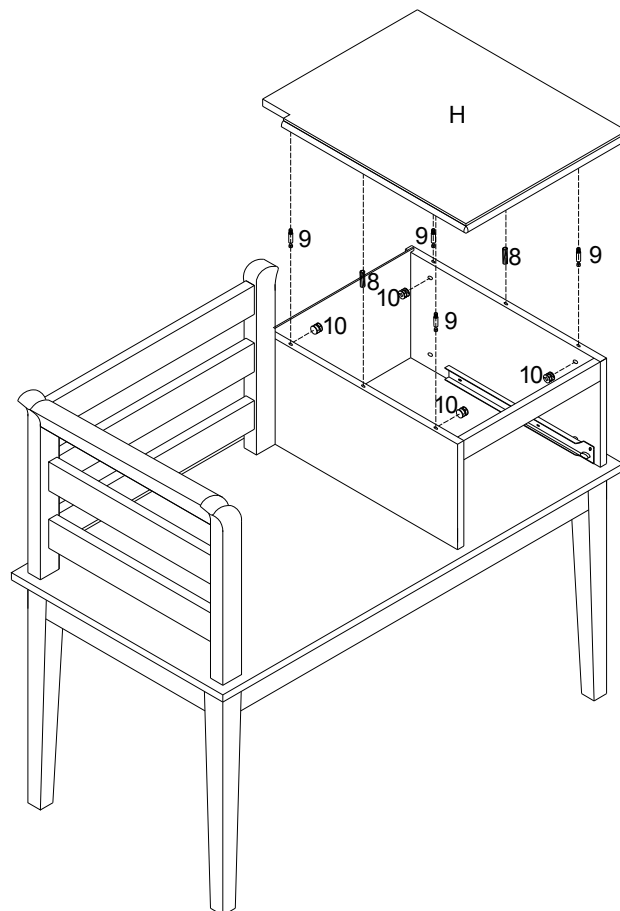
## **STEP 6**

Insert the Bottom Frame (I) to the grooves that in the Left and Right Side Panels (E□F), then attach Left/Right Bottom Gliders (1□2) to the Left and Right Side Panel (E□F) with 6pcs Short Wood Screws (12) ,tighten them with screwdriver(not include in hardware list) as figure shown.



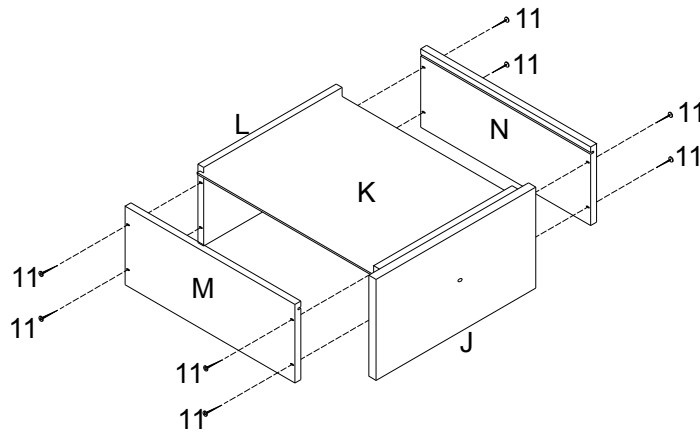
## **STEP 7**

Attach the Top Panel (H) to the well-assembled unit with 2pcs Wood Dowels (8), 4pcs Cam Bolts (9) and 4pcs Cam locks (10), tighten them with screwdriver(not included in hardware list) as figure shown.



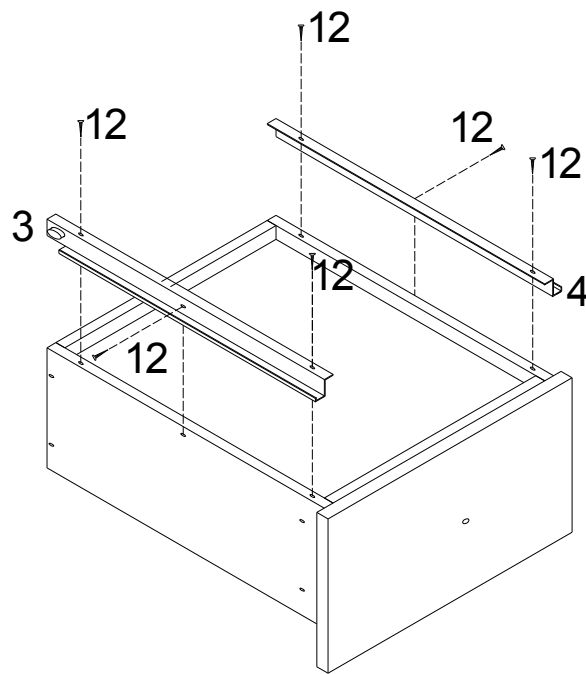
### **STEP 8**

Assemble the drawer (J/M/N/K/L) by using 8pcs Long Wood Screws (11), tighten the screws with screwdriver (not included in hardware list) as figure shown.



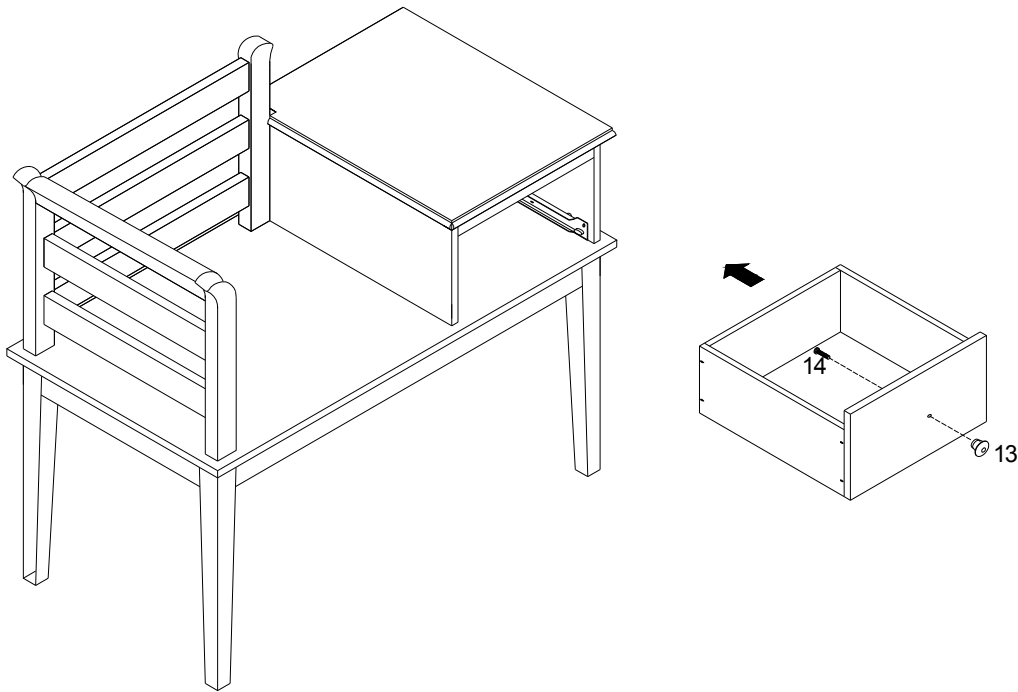
### **STEP 9**

Attached the Right/Left Top Gliders(3&4) to the assembled drawer with 6pcs Short Wood Screws (12), tighten them with screwdriver(not included in hardware list) as figure shown.



**STEP 10**

Fix the Knob (13) to the Front Drawer Panel (J) with 1pcs Small Bolt (14), finally, put the Drawer into this unit.



Please count, identify and compare parts and hardware list to be sure all parts are present.

It may help to divide parts and label them to correspond with part list. Extra hardware may be included.

If any items are missing, please contact our parts/service department at (800) 633-5096 or in Dallas (972) 869-0111/ 9am – 4pm Mon-Fri Central time.

Missing or damaged hardware and/ or parts will be replaced free of charge.

**WE DO NOT SELL PARTS. WE DO NOT RECOMMEND MODIFYING PRODUCT (S) AND WE ARE NOT RESPONSIBLE FOR ANY DAMAGES DUE TO PRODUCT MODIFICATION (S).**

If this product has not been purchased from our retail affiliates (within 9 months), we are under no obligation to provide parts or replacement merchandise.

**WE WILL SHIP PARTS IF AVAILABLE. THIS IS NOT A WARRANTY.**

**PARTS REPLACEMENT FORM**

STYLE NO.: BC922200TX- White Cottage Gossip Bench w/o cushion  
 BC932200TX- Black Cottage Gossip Bench w/o cushion

Customer Name	PARTS LETTER	PART DESCRIPTION	QUANTITY NEEDED
---------------	--------------	------------------	-----------------

Street, City, State, Zip

Phone#



Please indicate where you purchased this item.

Store/website/catalog

/ /

Please indicate color/size/style number

SOUTHERN ENTERPRISES INC.  
 P.O. Box 59996 Dallas, Texas 75229

/ /

