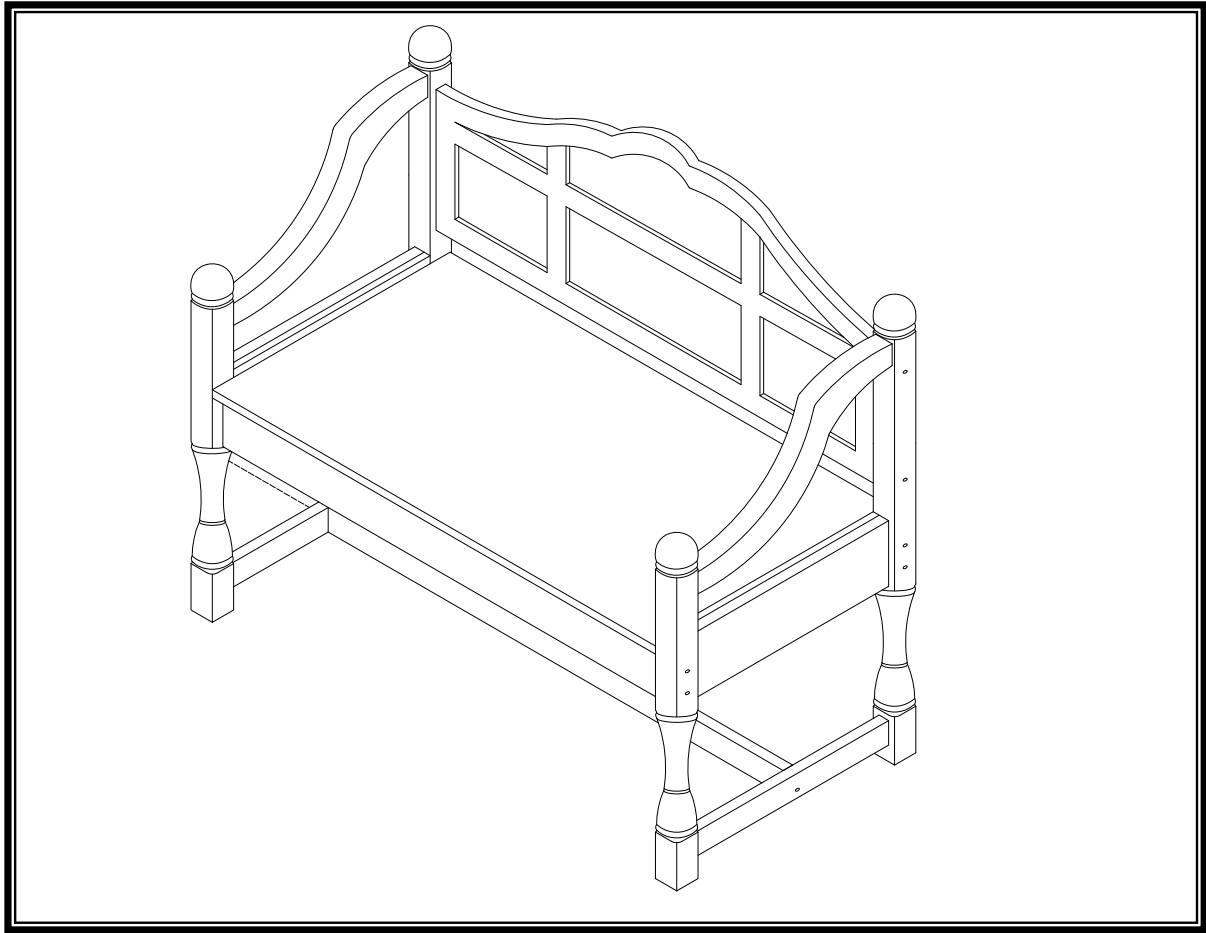




**SOUTHERN ENTERPRISES INC.**

NOTE.... This product has been engineered for easy assembly and constructed for durability. Please take time to read and follow assembly instructions.

**Assembly Instruction**

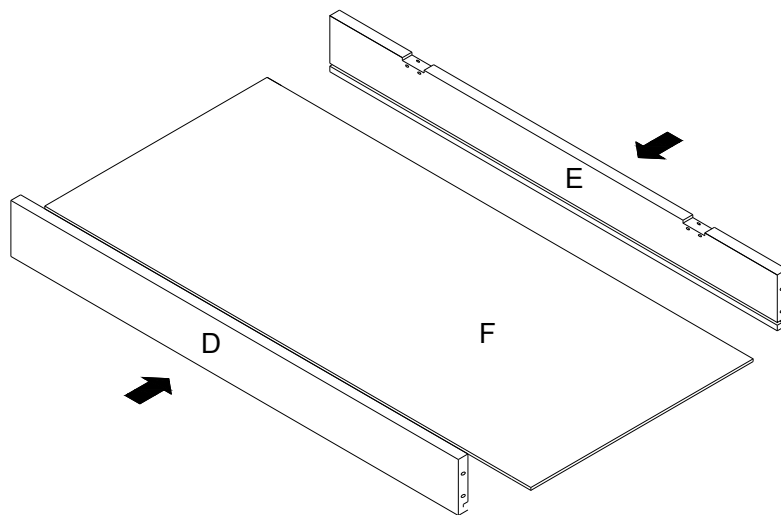


**PARTS AND HARDWARE LIST**

No.	Description	Q'ty	Sketch	No.	Description	Q'ty	Sketch
A	Left Side Frame	1		1	Long Bolt(1/4"*2")	12	
B	Right Side Frame	1		2	Short Bolt(1/4"*1")	2	
C	Brace	1		3	Wood Dowle	2	
D	Front Apron	1		4	Hinge	2	
E	Back Apron	1		5	Long Wood Screw(8#*3/4")	1	
F	Bottom Panel	1		6	Short Wood Screw(3*14*D6)	12	
G	Seat Panel	1		7	Washer	1	
H	Back	1		8	Plastic Pad	1	
				9	Anti-Slip Hinge	1	
				10	Wood Plug	14	
				11	Allen Wrench	1	

## STEP 1

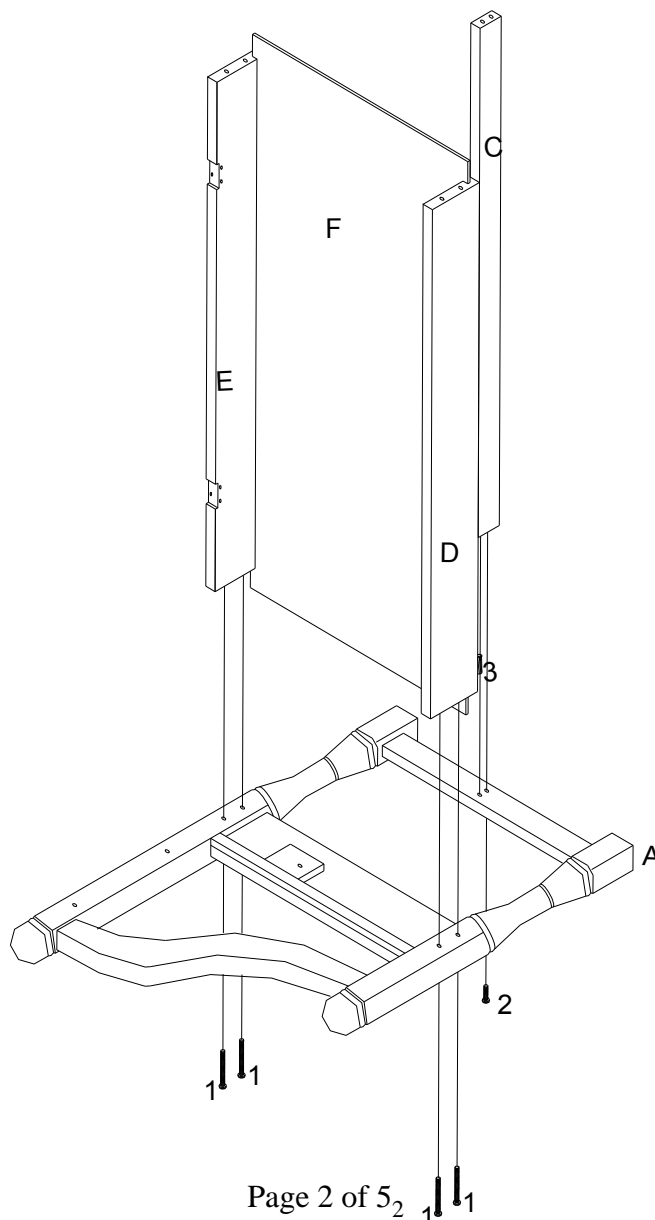
Insert the Bottom Panel (F) into the grooves in the Front/Back Aprons (D/E).



## STEP 2

Attach the Brace (C), Front Apron (D), Back Apron (E) and Bottom Panel (F) to the Left Side Frame (A) with 1pc Short Bolts (2), 1pc Wood Dowel (3) and 4pcs Long Bolts (1) by using the Allen Wrench (11) as figure shown.

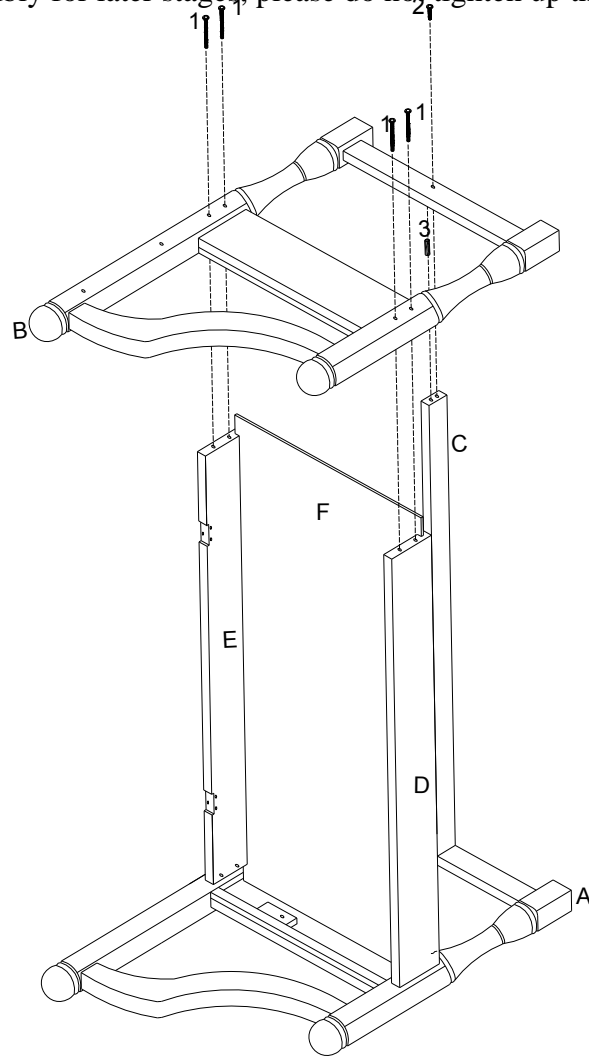
NOTE □ To assure easy assembly for later stages, please do not tighten up the bolts.



### STEP 3

Use the same way as STEP 3 to attach the well-assembled unit to the Right Side Frame(B).

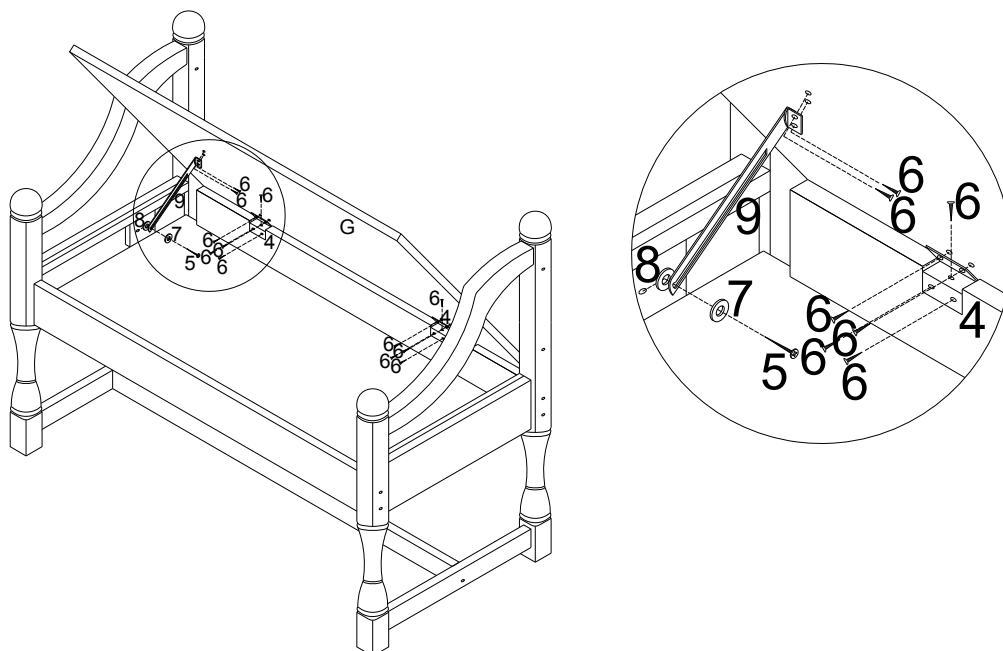
NOTE □ To assure easy assembly for later stages, please do not tighten up the bolts.



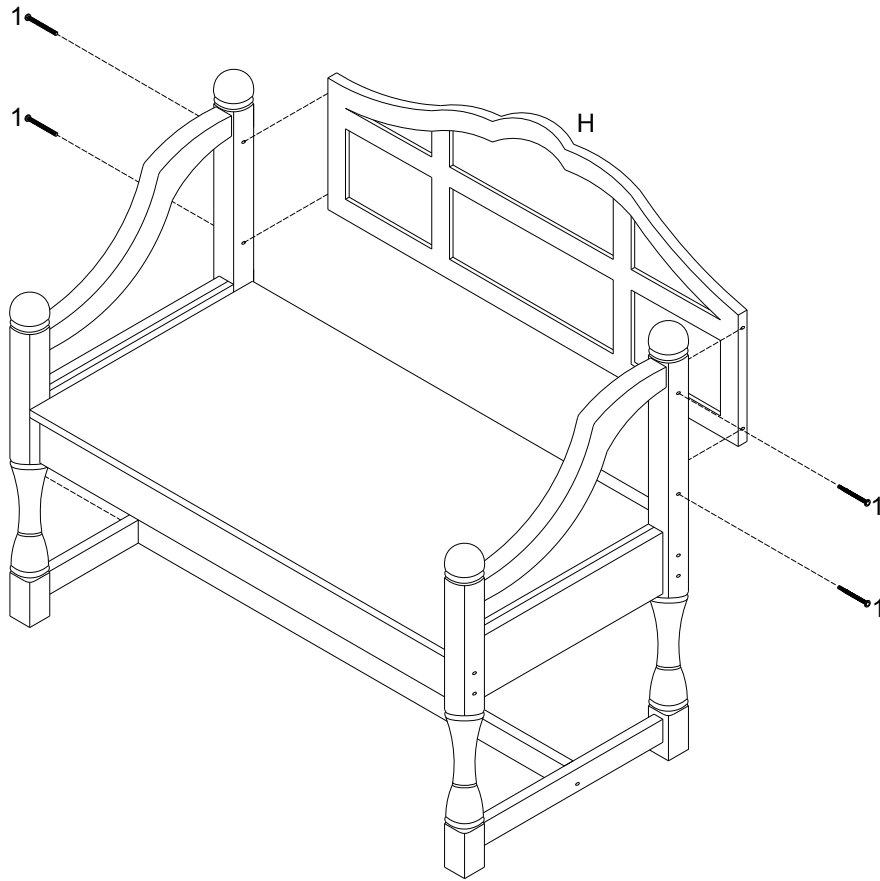
### STEP 4

Connect the Seat Panel (G) with the Back Apron (E) with 2pcs Hinges (4), screw the hinges with 10pcs Short Wood Screws (6) by inserting them into the pre-drilled holes on Seat Panel (G) and Back Apron (E), tighten the screws by using screwdriver (not included).

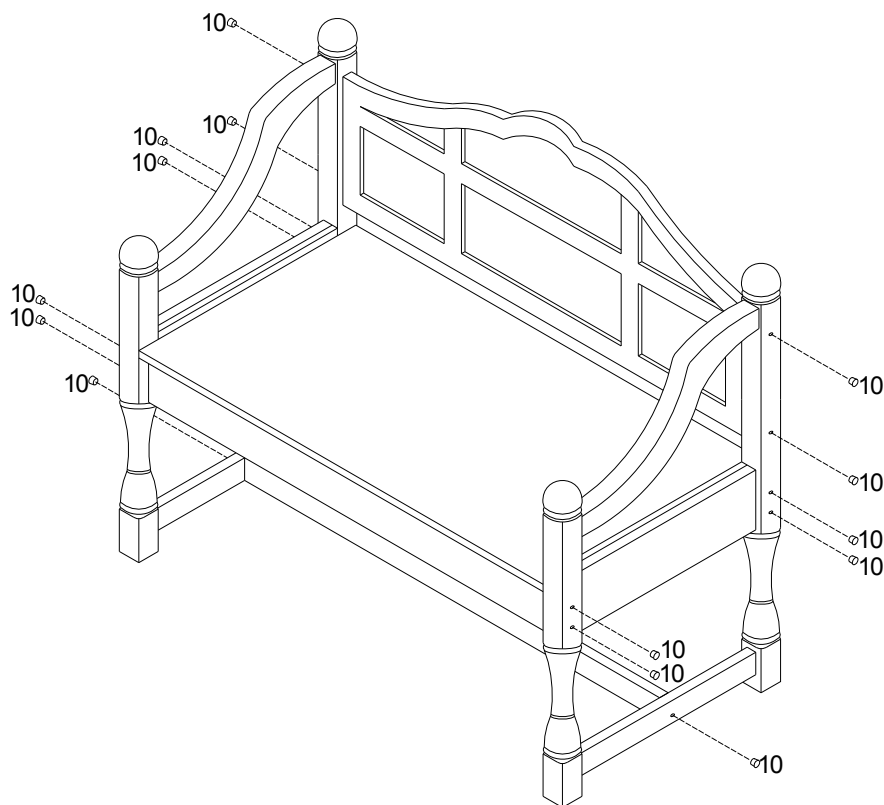
Then attach the Anti-Slip Hinge (9) to the Seat Panel (G) and the left apron with 2pcs Short Wood Screws (6), 1pc Long Wood Screw (5), 1 Washer (7) and 1 pc Plastic Pad (8) as figure shown.



**STEP5:**  
Connect the Back (H) to the Left and Right Side Frame (A,B) with 4pcs Long Bolts (1) by using the Allen Wrench (11) as figure shown, then fully tighten up all the bolts.



**STEP 6**  
Cover the holes on the legs with 14pcs Wood Plugs (10) as figure shown.



**YOUR "STORAGE BENCH" IS FINISHED AND READY TO USE**

**"We will ship parts if available" "This is not a warranty**

Please count, identify and compare parts and hardware list to be sure all parts are present. It may help to divide parts and label them to correspond with part list. Extra hardware may be included. If any items are missing, please contact our parts/service department at (800) 633-5096 or in Dallas (972) 869-0111/ 9am – 4pm Mon-Fri Central time. Missing or damaged hardware and/ or parts will be replaced free of charge. WE DO NOT SELL PARTS. WE DO NOT RECOMMEND MODIFYING PRODUCT(S) AND WE ARE NOT RESPONSIBLE FOR ANY DAMAGES DUE TO PRODUCT MODIFICATION(S). If this product has not been purchased from our retail affiliates (within 9 months), we are under no obligation to provide parts or replacement merchandise. Parts will not be available for items arriving fully assembled.

**PARTS REPLACEMENT FORM**

STYLE NO:BC921900TX- Antique Red Storage Bench w/o cushion  
 BC931900TX- Brown Mahogany Storage Bench w/o cushion

Customer Name	PARTS LETTER	PART DESCRIPTION	QUANTITY NEEDED
---------------	-----------------	---------------------	--------------------

Street, City, State, Zip

Phone#



SOUTHERN ENTERPRISES INC.  
 P.O. Box 59996 Dallas, Texas 75229

\_\_\_\_\_

\_\_\_\_\_

Please indicate where you purchased this item.

Store/website/catalog

/ /

\_\_\_\_\_

Please indicate color/size/style number

/ /

