

Mini Crescendo

700CRES36S_

1.6



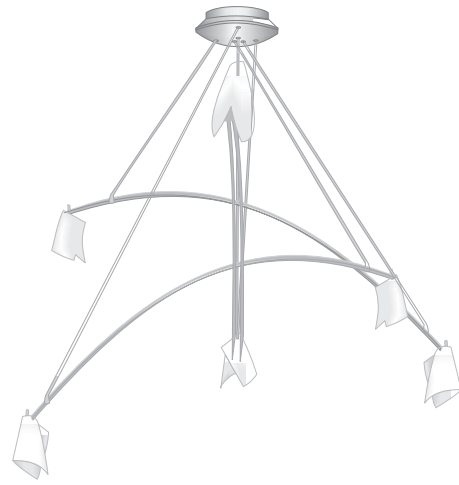
CHANDELIERS

GENERAL PRODUCT INFORMATION:



This product is suitable for indoor dry locations only.

This product is dimmable with a low voltage electronic dimmer.

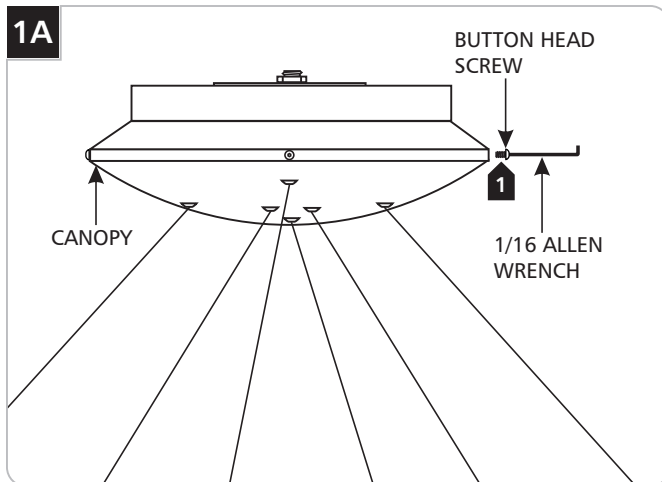


WARNING: The Mini Crescendo chandelier should not be installed in an area that is susceptible to any extreme air movement. Significant movement of the chandelier after installation could possibly cause it to short out.

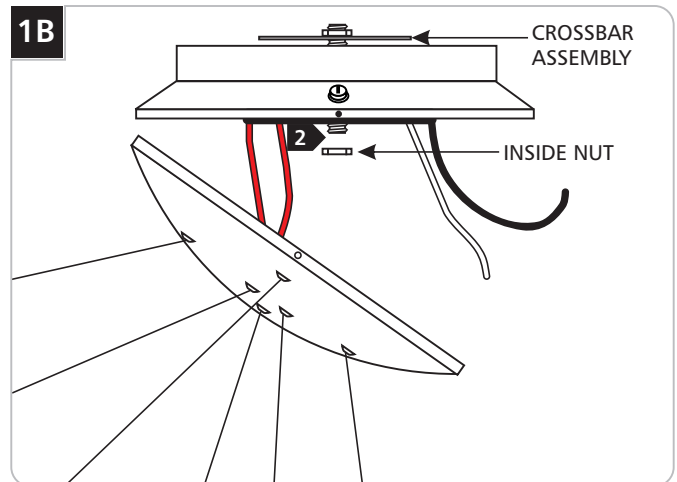
CAUTION—RISK OF FIRE

This product requires installation by a qualified electrician. Before installing be sure to read all instructions and **TURN THE POWER TO THE ELECTRICAL BOX OFF.**

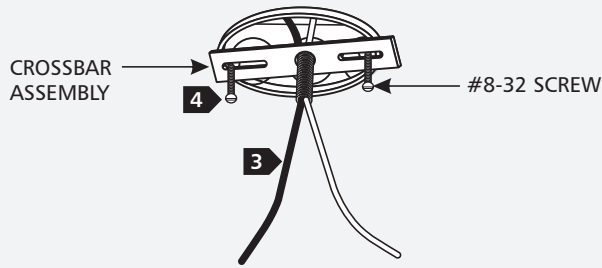
Install the Chandelier



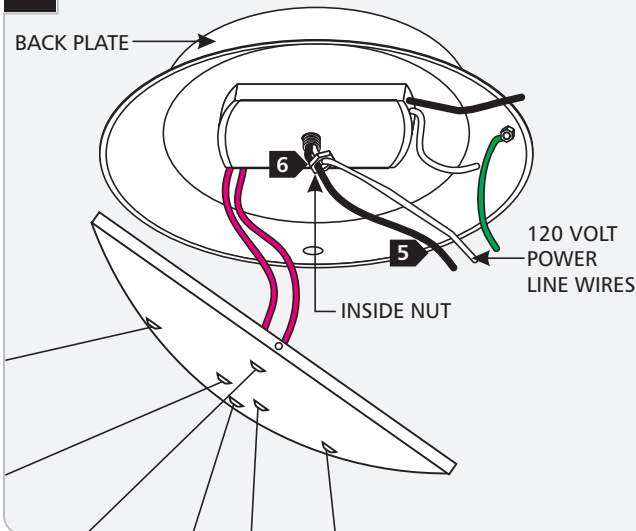
1 Remove the four button head screws around the chandelier canopy with provided 1/16 Allen wrench.



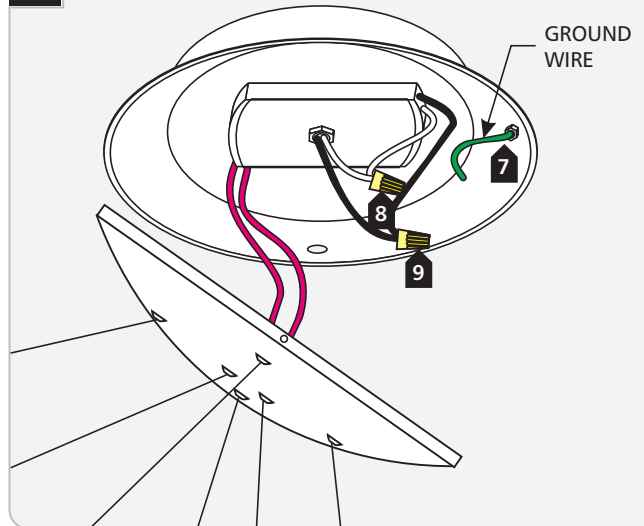
2 Unscrew the inside nut to remove the crossbar assembly. *Do not disassemble the nipple from the crossbar.*

1C

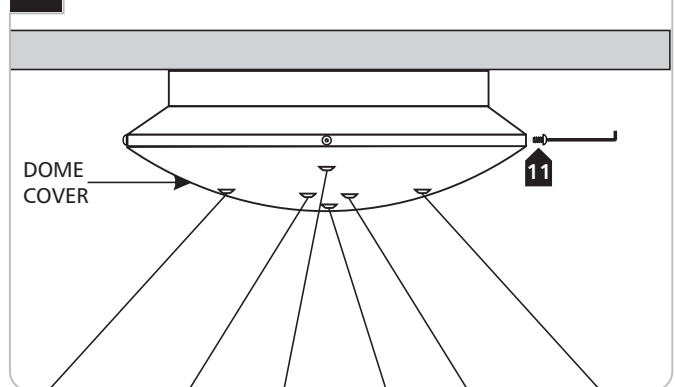
- 3** Feed the 120 volt power line wires through the nipple attached to the crossbar.
- 4** Mount the crossbar assembly to the electrical box with the two #8-32 screws.

1D

- 5** Feed the 120 volt power line wires through the back plate center hole.
- 6** Slide the back plate all the way onto the threaded nipple (attached to the crossbar) and secure it with the inside nut.

1E

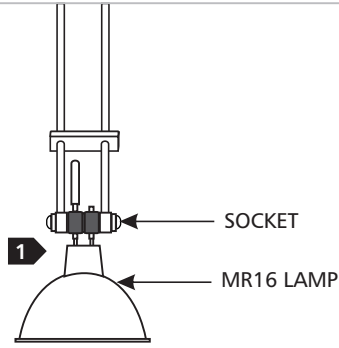
- 7** Connect the fixture ground wire in accordance with local electrical codes.
- 8** Connect the white transformer wire to the neutral power line wire with a wire nut.
- 9** Connect the black transformer wire to the hot power line wire with a wire nut.

1F

- 10** Place all wires into the dome cover and line up the dome cover holes with the backplate holes.
- 11** Replace and tighten all four button head screws with the 1/16 Allen wrench.
- 12** If necessary, smooth the chandelier wires with fingers.

Installing the Lamp and Flight Paper

2A



CAUTION: To reduce the risk of a burn or electric shock during relamping, disconnect the power to the fixture.

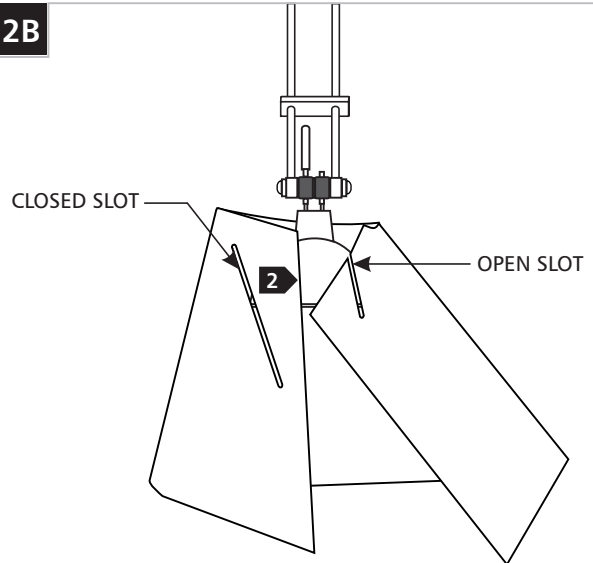
NOTE: Use only your fingers and a soft cloth to replace the lamp.

Use **MAX** 12 Volt, 20 Watt MR16 Front Cover Halogen Lamp.



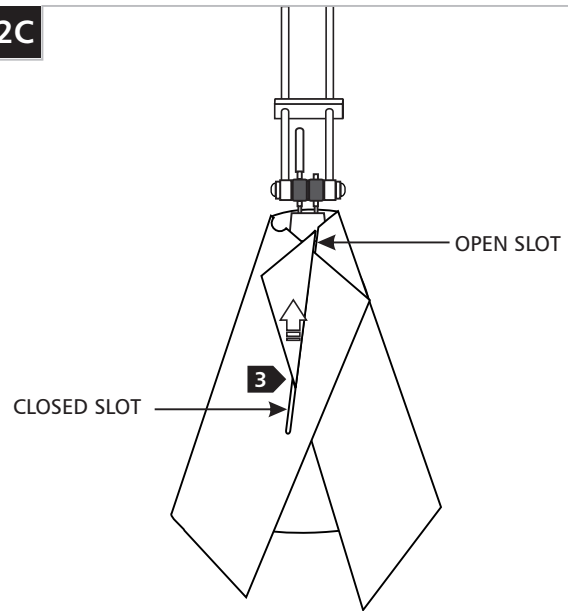
- 1 Push the lamp pins all the way into the socket. Improperly installed lamp may drop off.

2B



- 2 Wrap both sides of the flight paper around the lamp and insert the open slot corner into the closed slot so that both slots line up perpendicularly.

2C



- 3 Simply push the open slot all the way up into the closed slot so that the flight paper stays locked around the fixture lamp.

IMPORTANT SAFETY INSTRUCTIONS

To reduce the risk of fire, electrical shock, exposure to excessive UV radiation, or injury to person:

- Use this fixture indoors only.
- Do not look directly at the lighted lamp.
- Do not remain in light if skin feels warm.
- Risk of fire: Use only the type of lamp and maximum wattage indicated in this instruction manual.
- Never turn the fixture on and off by connecting and disconnecting the halogen lamp.
- Do not touch the fixture shades or lamp shield while the fixture is on. These surfaces may be HOT.

Halogen Lamp General Information

- A new halogen lamp may smoke slightly when it is used for the first time. This is perfectly normal; the protective coating is simply being vaporized.

Two Tips For Prolonging Halogen Lamp Life

- First avoid touching the lamp with bare hands during installation. Any contaminant, even the oil from your hands can deteriorate the lamp. Rubbing alcohol can be used to remove any contaminant.
- Second, do not run the lamps at full power when you do not need to. However, if dimming the fixture for an extended period of time, occasionally bring the light up to full brightness for a few minutes to complete the halogen cycle.

SAVE THESE INSTRUCTIONS!



TECH LIGHTING®

7400 Linder Ave, Skokie, IL 60077

847.410.4400

www.techlighting.com

© 2008 Tech Lighting, L.L.C. All rights reserved. The "Tech Lighting" graphic is a registered trademark of Tech Lighting, L.L.C. Tech Lighting reserves the right to change specifications for product improvements without notification.

A Generation Brands Company