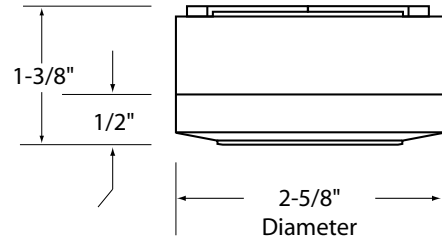
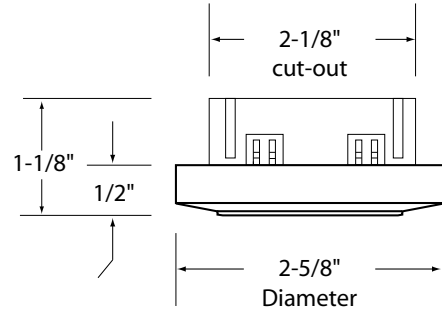




### Surface Mount



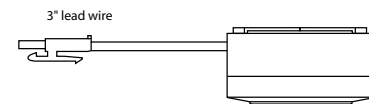
### Recess Mount



### Bulk Puck Light



### End Puck (one per kit)



## TECHNICAL SPECIFICATIONS

Voltage	120V, 60Hz AC operation
Construction	Heavy-duty, hard durable plastic
Dimensions	H = 1-3/8" (surface), 1/2" (recessed), Dia = 2-5/8"
Lead wires	Each puck light has 3" lead wire and 3" tail wire with molex connectors for linking purposes. Kits will have one puck light with only a lead wire (no tail wire) and this puck must be used as the last puck light in the run.
Switching	Control with hardwire box's rocker switch, switched outlet or with inline switch on power cord
Cut-out	2-1/8" hole size for recessed mounting
Wattage	20 watts per puck
Power cord	Single puck kits include a six-foot 18AWG power cord; kits with multiple puck lights include a six-foot power cord and enough 12" linking extensions to daisy chain pucks to each other.
Maximum run	Do not link more than ten puck lights in any single run
Linking	Kits include 12" linking extension(s) to connect puck lights. To build a bulk system, order linking extensions separately (see ACCESSORIES on page 33). Linking extensions are interconnectable up to five.
Packaging	Four color retail blister pack for kits; Two color box for bulk
Lamp specs	120V xenon = 3100°K White, 8,000 hours, 1-3/16" M.O.L.; 120V halogen = 2800°K White, 2,500 hours, 1-3/16" M.O.L.
Dimmers	Plug-in transformers are compatible with ALTPDIM (Hinge/Touch Pad Dimmer). Hardwire installations are dimmable with most standard incandescent dimmers (requires its own switch leg).
Diffuser	Frosted glass diffuser

