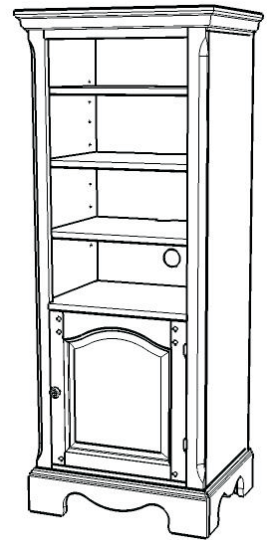


# HS-11 131 Pier Unit



## IMPORTANT NOTE

Carefully remove all the parts from the carton and put them individually on a soft cloth to prevent scratches or other damages occurring to the wood parts.

We have taken great care in the design of this product and request that you carefully and strictly follow our assembly instructions to ensure a completed product as it was designed.



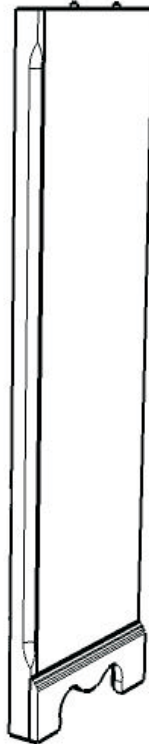
Casual Attire For Today's Home

## Part List

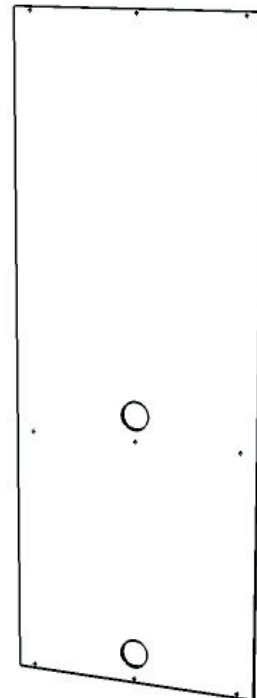
**B.**  
Side Panel  
1 pc.



**C.**  
Side Panel  
1 pc.



**D.**  
Back Panel  
1 pc.



## Hardware List



**Cam Lock Screw**  
18 pcs.(+1 extra)



**Adjustable Pin**  
16 pcs.(+1 extra)



**Wood Screw for back panel**  
9 pcs.(+1 extra)



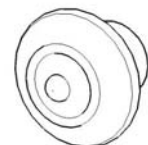
**Machine Screw**  
1 pc.



**Cam Lock**  
18 pcs.(+1 extra)



**Wood Screw for Plinth**  
2 pcs.(+1 extra)



**Pull Handle**  
1 pc.

**For assembly see instructions in carton 88 55XX 132**

Tools required for assembly : Phillips screwdriver

**Home Styles Consumer Assistance Line 888-680-7460 and 877-831-0319  
servicedesk@homestyles-furniture.com**

# HS-11 132 Pier Unit



## IMPORTANT NOTE

Carefully remove all the parts from the carton and put them individually on a soft cloth to prevent scratches or other damages occurring to the wood parts.

We have taken great care in the design of this product and request that you carefully and strictly follow our assembly instructions to ensure a completed product as it was designed.



Casual Attire For Today's Home

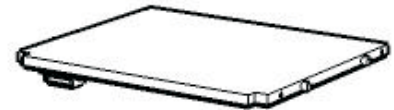
## Part List (in this carton)



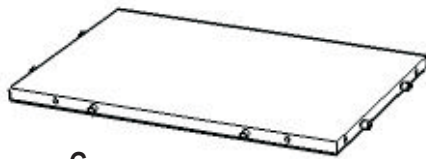
**A.**  
**Top**  
1 pc.



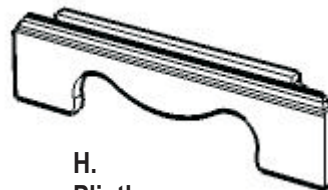
**E.**  
**Front Piece**  
1 pc.



**F.**  
**Fixed Shelf**  
1 pc.



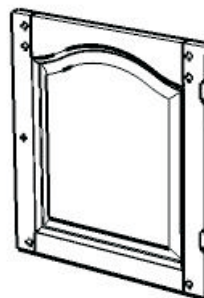
**G.**  
**Base**  
1 pc.



**H.**  
**Plinth**  
1 pc.



**I.**  
**Shelf**  
4 pcs.



**J.**  
**Door**  
1 pc.

*Also need the following from carton 88 55XX 131 :*

### Part List in carton 88 55XX 131

|                |       |
|----------------|-------|
| Side Panel (B) | 1 pc. |
| Side Panel (C) | 1 pc. |
| Back Panel (D) | 1 pc. |

### Hardware List in carton 88 55XX 131

|                               |         |
|-------------------------------|---------|
| Cam Lock Screw                | 19 pcs. |
| Cam Lock                      | 19 pcs. |
| Wood Screw for hinge          | 5 pcs.  |
| Wood Screw for Back Panel     | 10 pcs. |
| Adjustable Pin                | 17 pcs. |
| Pull Handle                   | 1 pc.   |
| Machine Screw for Pull Handle | 1 pc.   |

Tools required for assembly : Phillips screwdriver

**Home Styles Consumer Assistance Line 888-680-7460 and 877-831-0319**  
**[servicedesk@homestyles-furniture.com](mailto:servicedesk@homestyles-furniture.com)**

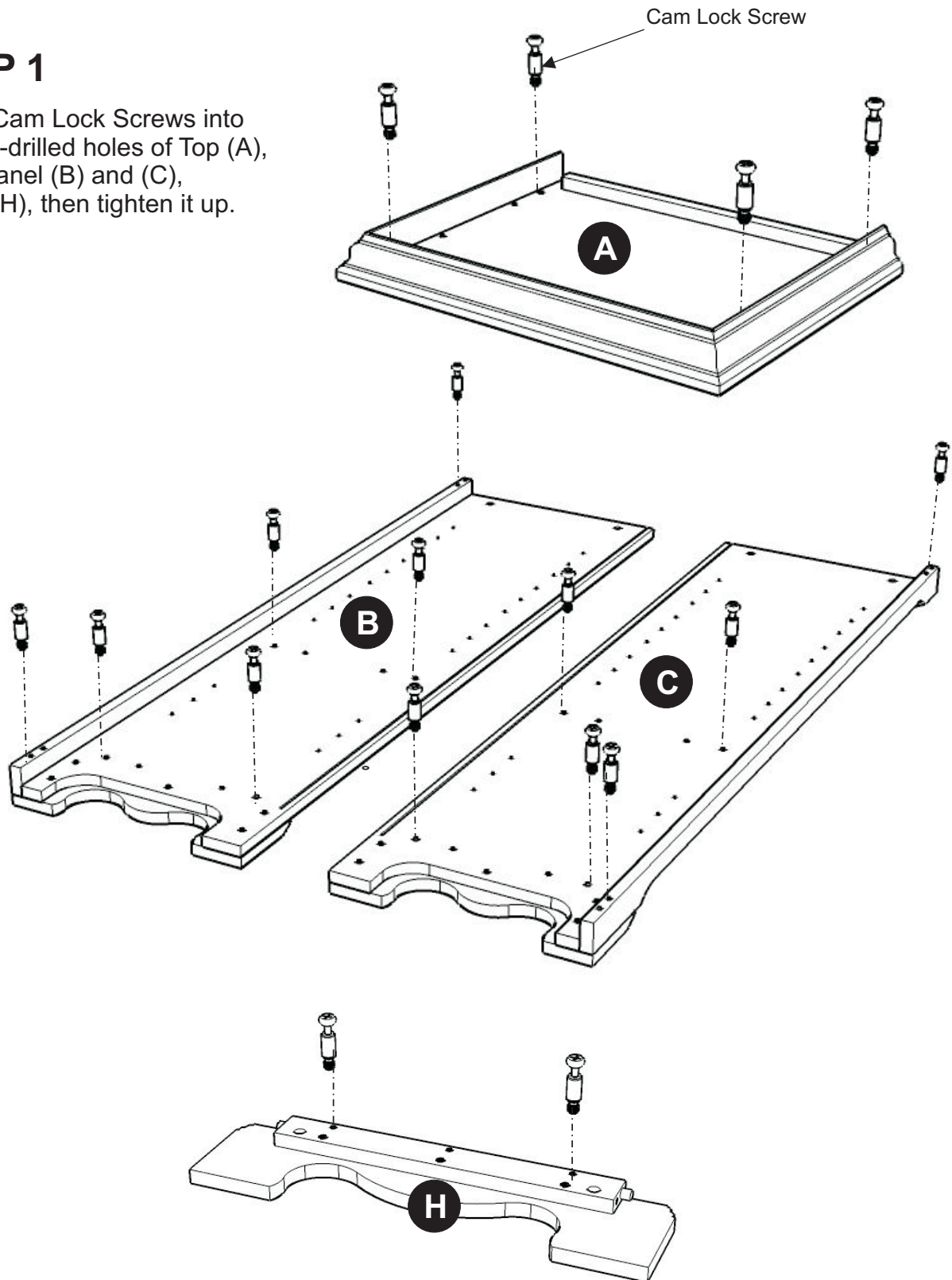
# Assembly Instructions 2/4

## IMPORTANT

Do not tighten up all the screws until each part is properly assembled.

## STEP 1

Insert Cam Lock Screws into the pre-drilled holes of Top (A), Side Panel (B) and (C), Plinth (H), then tighten it up.



# Assembly Instructions 3/4

## STEP 2

Attach Plinth (H) to Base (G) with Cam Locks.

Attach Front Piece (E), Fixed Shelf (F), and Base (G) to Side Panel (B) with Cam Locks. (See figure 1)

Slide Back Panel (D) into place.

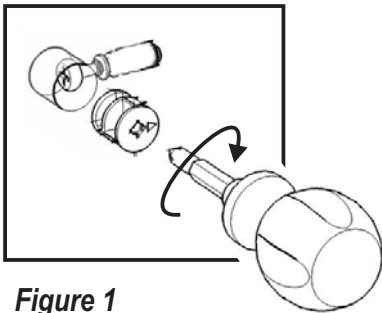
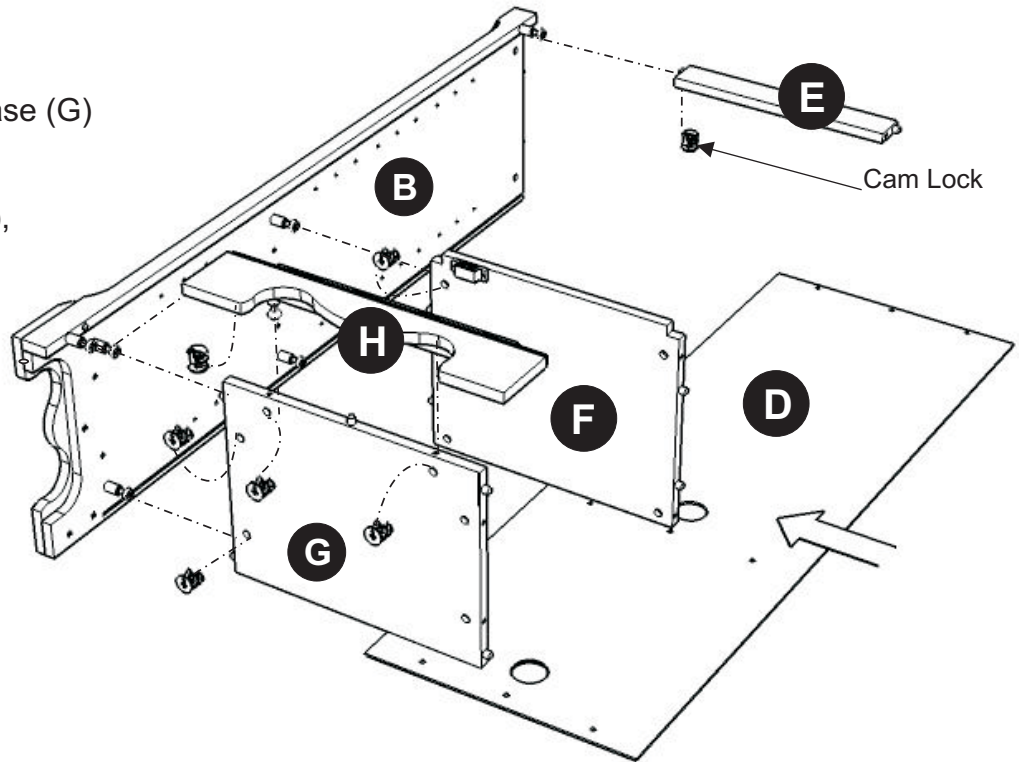
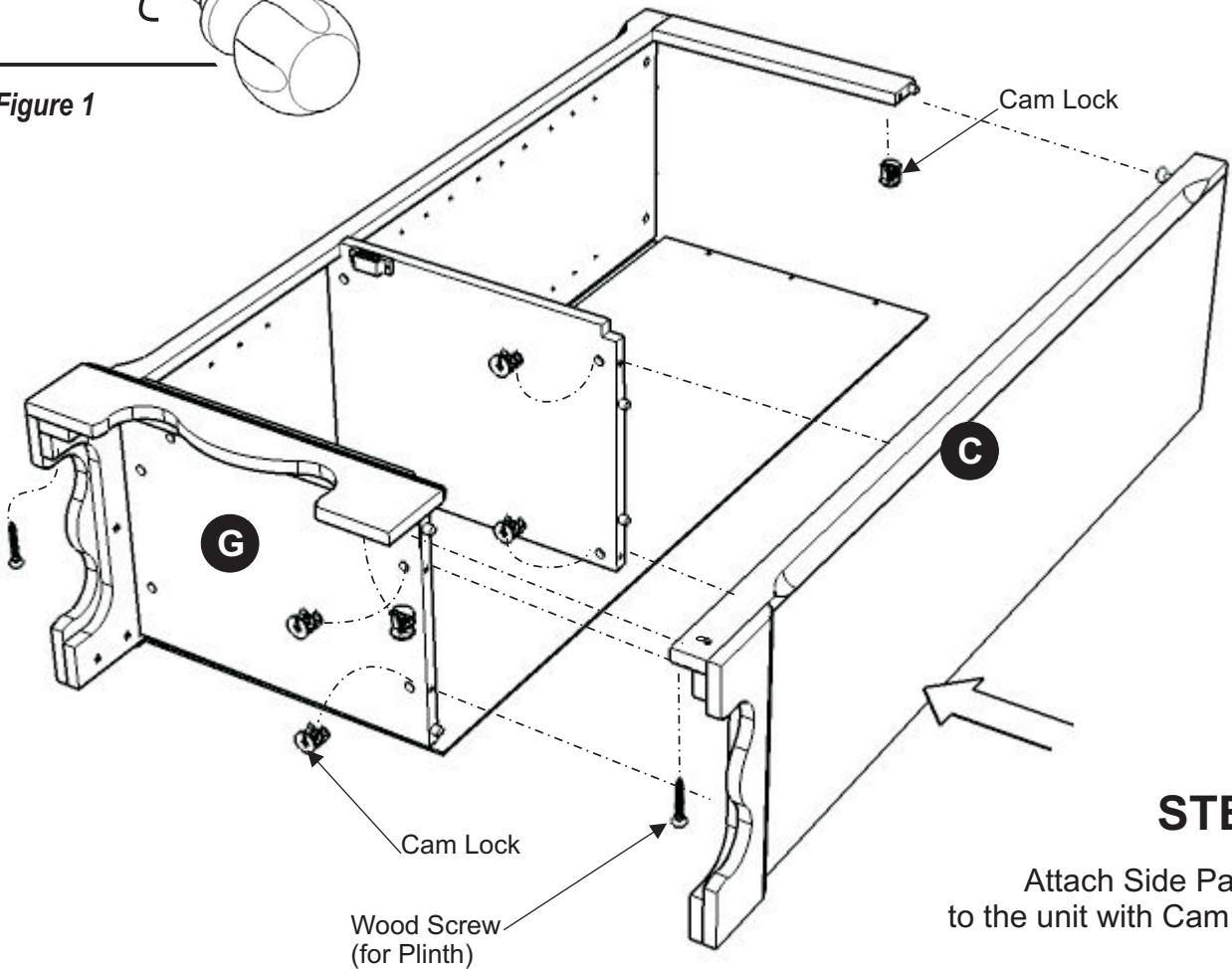


Figure 1



## STEP 3

Attach Side Panel (C) to the unit with Cam Locks.

Tighten up 2X Wood Screws for Plinth.

# Assembly Instructions 4/4

## STEP 4

Turn the unit to its' upright position.

Place Top (A) onto the unit with Cam Locks.

Attach Pull Handle to the door, using Machine Screw. (See figure 2)

Attach Door (J) to the unit by attaching the hinges to the side panel with Wood Screws (See figure 3).

Insert Adjustable Pins into side panels at the desired level.

Place Shelves (I) into position.

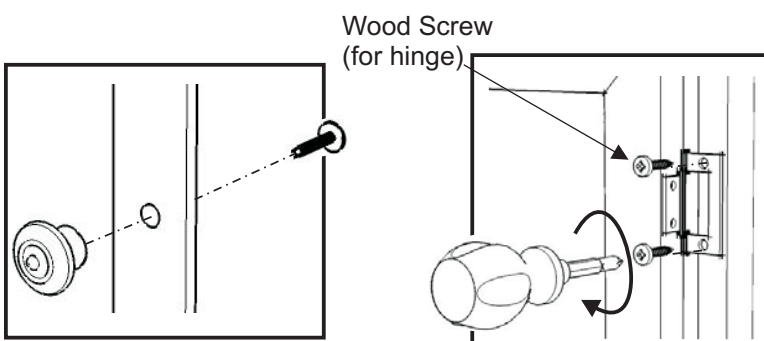
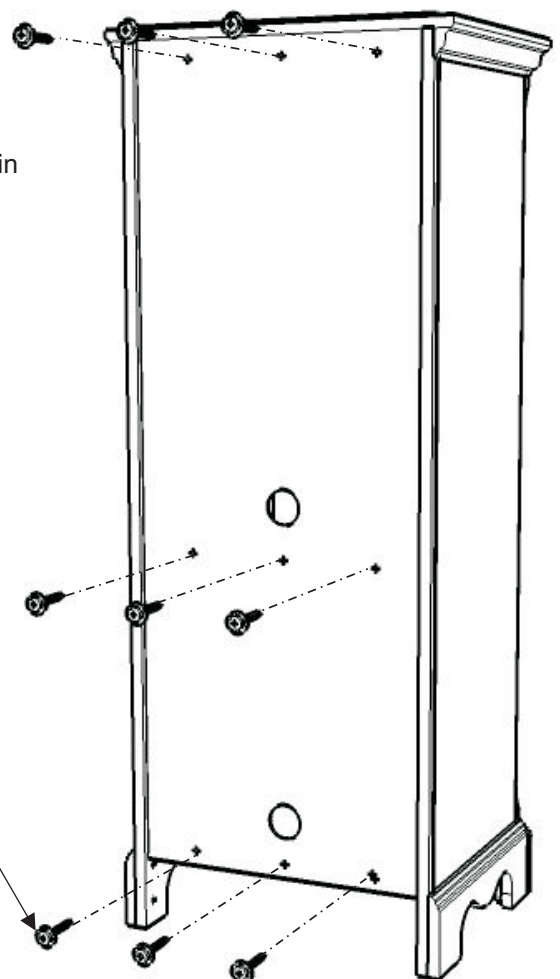
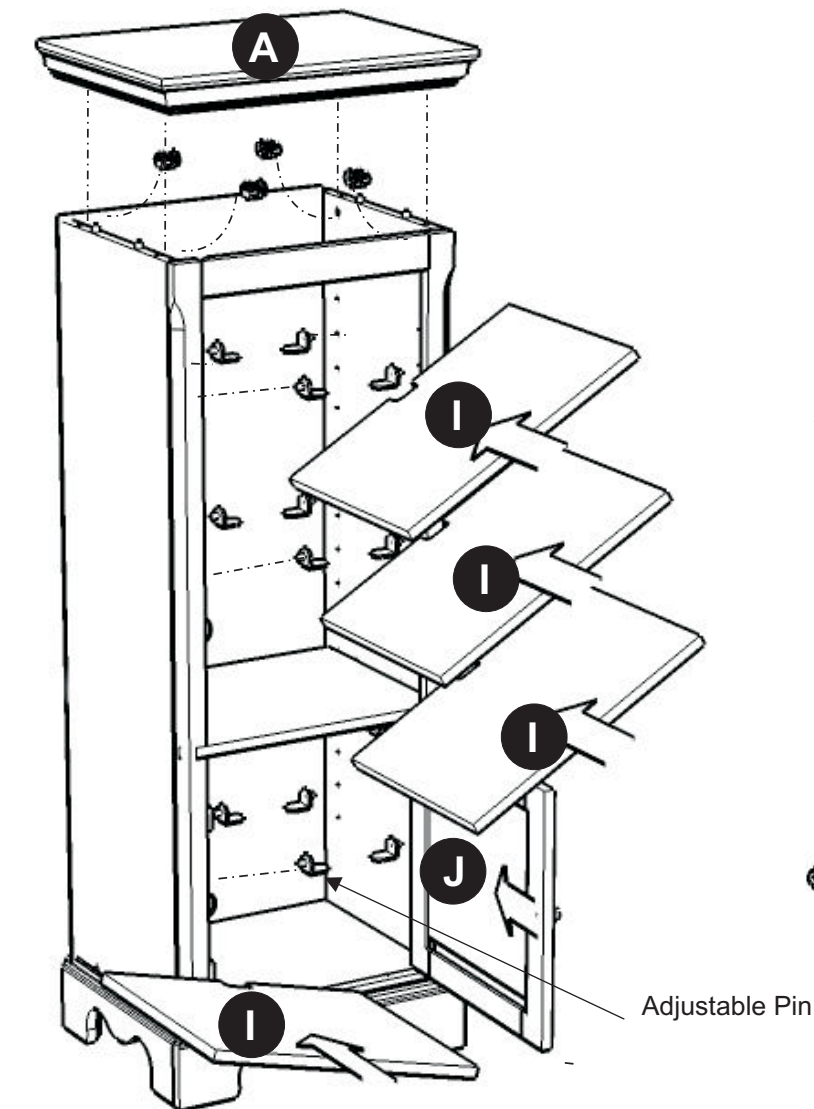


Figure 2

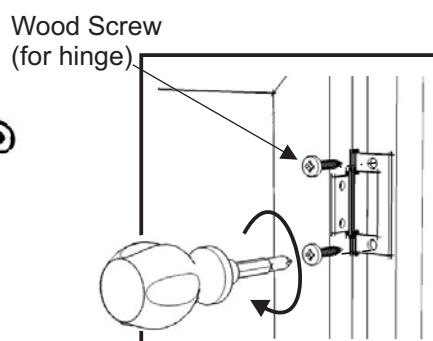


Figure 3

## STEP 5

Insert 9X Wood Screws into the pre-drilled holes of back panel.