

88 5538 14

Country Casual Back Panel

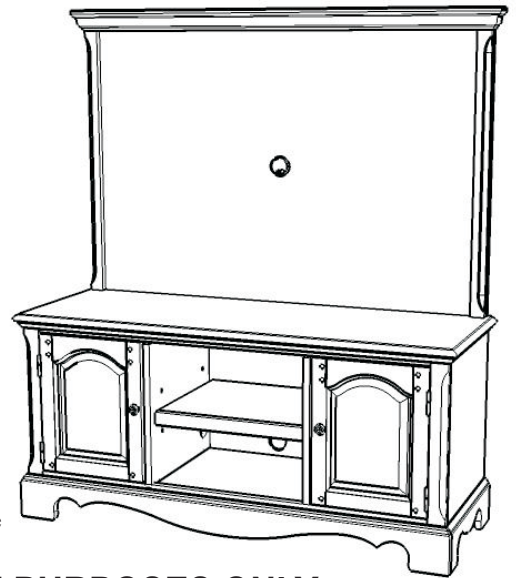
IMPORTANT NOTE

Carefully remove all the parts from the carton and put them individually on a soft cloth to prevent scratches or other damages occurring to the wood parts.

We have taken great care in the design of this product and request that you carefully and strictly follow our assembly instructions to ensure a completed product as it was designed.

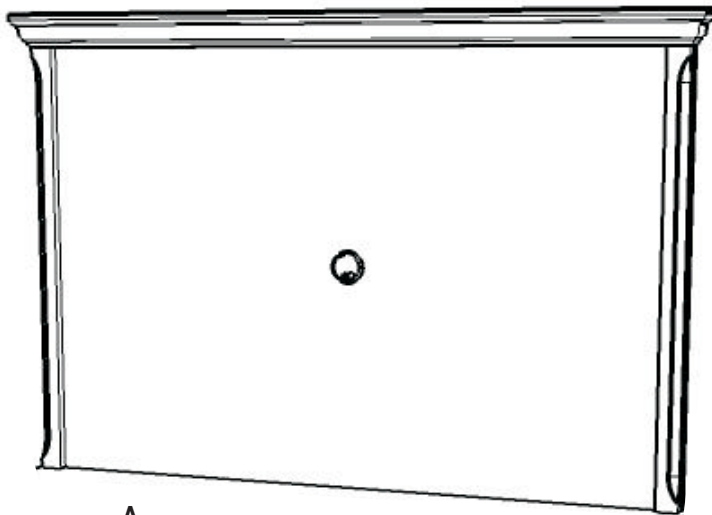


Casual Attire For Today's Home



THIS BACK PANEL IS FOR DECORATIVE PURPOSES ONLY
Do not attach a television or anything else to the back panel.

Part List



A.
Back Panel
1 pc.

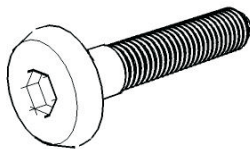


B.
Batten
2 pcs.

Hardware List



Hex Wrench
1 pc.



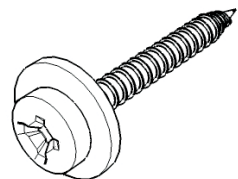
Head Cap Bolt
4 pcs.(+1 extra)



Spring Washer
4 pcs.(+1 extra)



Flat Washer
4 pcs.(+1 extra)



Wood Screw
8 pcs.(+1 extra)

Tools required for assembly: Phillips screwdriver

Home Styles Consumer Assistance Line 888-680-7460 and 877-831-0319
servicedesk@homestyles-furniture.com

Assembly Instructions

IMPORTANT

Do not tighten up all the screws until each part is properly assembled.

STEP 1

Attach Battens (B) at the pre-drilled holes for Back Panel (A) with Flat Washers, Spring Washers and Head Cap Bolts (see Figure 1).

Place the assembled unit onto the center console.

Insert Wood Screws into the pre-drilled holes of the battens and tighten.

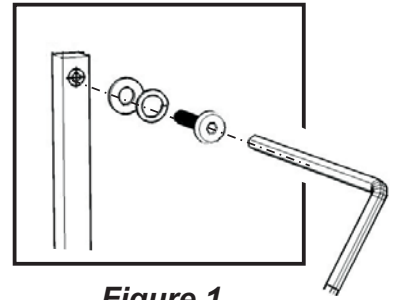


Figure 1

