

# 88 5537 49 Hall Tree Stand (Cherry Finish)

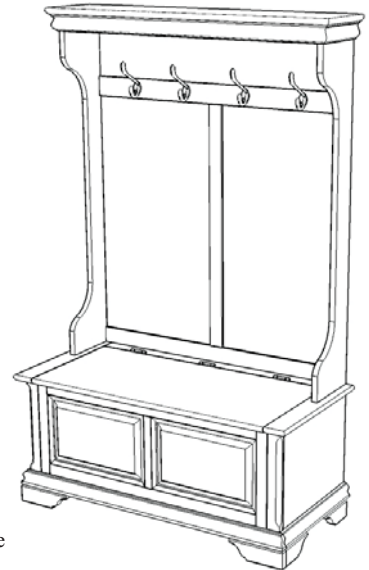
## IMPORTANT NOTE

Carefully remove all the parts from the carton and put them individually on a soft cloth to prevent scratches or other damages occurring to the wood parts.


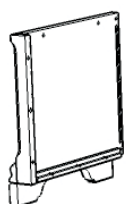
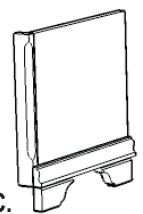
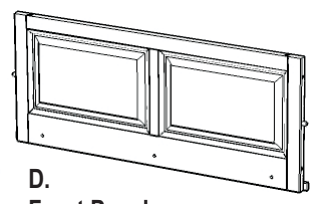



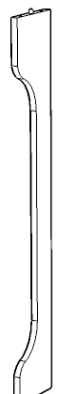

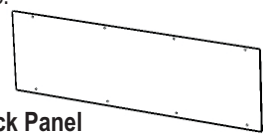


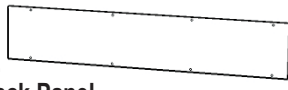

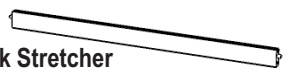

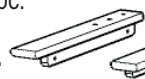
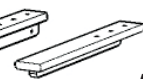
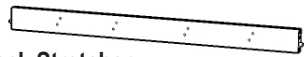

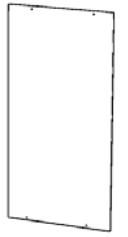
We have taken great care in the design of this product and request that you carefully and strictly follow our assembly instructions to ensure a completed product as it was designed.



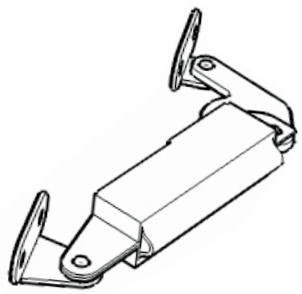





Casual Attire For Today's Home



## PART LIST

 <b>A. Seat</b> 1 pc.	 <b>B. Side Panel</b> 1 pc.	 <b>C. Side Panel</b> 1 pc.	 <b>D. Front Panel</b> 1 pc.	 <b>F. Back Rail</b> 1 pc.
 <b>I. Base</b> 1 pc.	 <b>N. Side Panel</b> 1 pc.	 <b>O. Side Panel</b> 1 pc.	 <b>E. Plinth</b> 1 pc.	 <b>G. Back Panel</b> 1 pc.
 <b>J. Top</b> 1 pc.	 <b>P. Back Stretcher</b> 1 pc.	 <b>Q. Back Panel</b> 1 pc.	 <b>H. Back Rail</b> 1 pc.	 <b>S. Back Stretcher</b> 1 pc.
 <b>K. Front Rail</b> 1 pc.	 <b>L. Arm</b> 1 pc.	 <b>M. Arm</b> 1 pc.	 <b>R. Back Stretcher</b> 1 pc.	 <b>T. Back Rail</b> 1 pc.
	 <b>U. Back Panel</b> 2 pcs.			

## HARDWARE LIST

 <b>Spring Support</b> 2 pcs.	 <b>Hex Wrench</b> 1 pc.	 <b>Head Cap Bolt</b> 14 pcs. (+1 extra)	 <b>Cam Lock</b> 20 pcs. (+1 extra)	 <b>Cam Lock Screw</b> 20 pcs. (+1 extra)
 <b>Small Hex Wrench</b> 1 pc.	 <b>Wood Screw for Spring</b> 8 pcs. (+1 extra)	 <b>Wood Screw for Back Panel</b> 24 pcs. (+1 extra)	 <b>Wood Screw for Hook</b> 8 pcs. (+1 extra)	 <b>Hook</b> 4 pcs.

Tools Required For Assembly : **Phillips** screwdriver

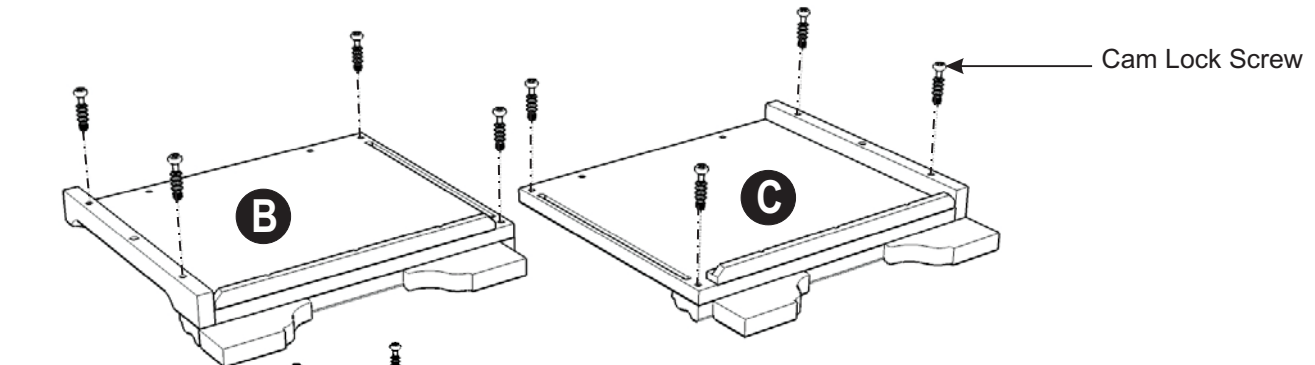
Home Styles Consumer Assistance Line 888-680-7460 and 877-831-0319  
servicedesk@homestyles-furniture.com

# Assembly Instructions 2/6

## IMPORTANT

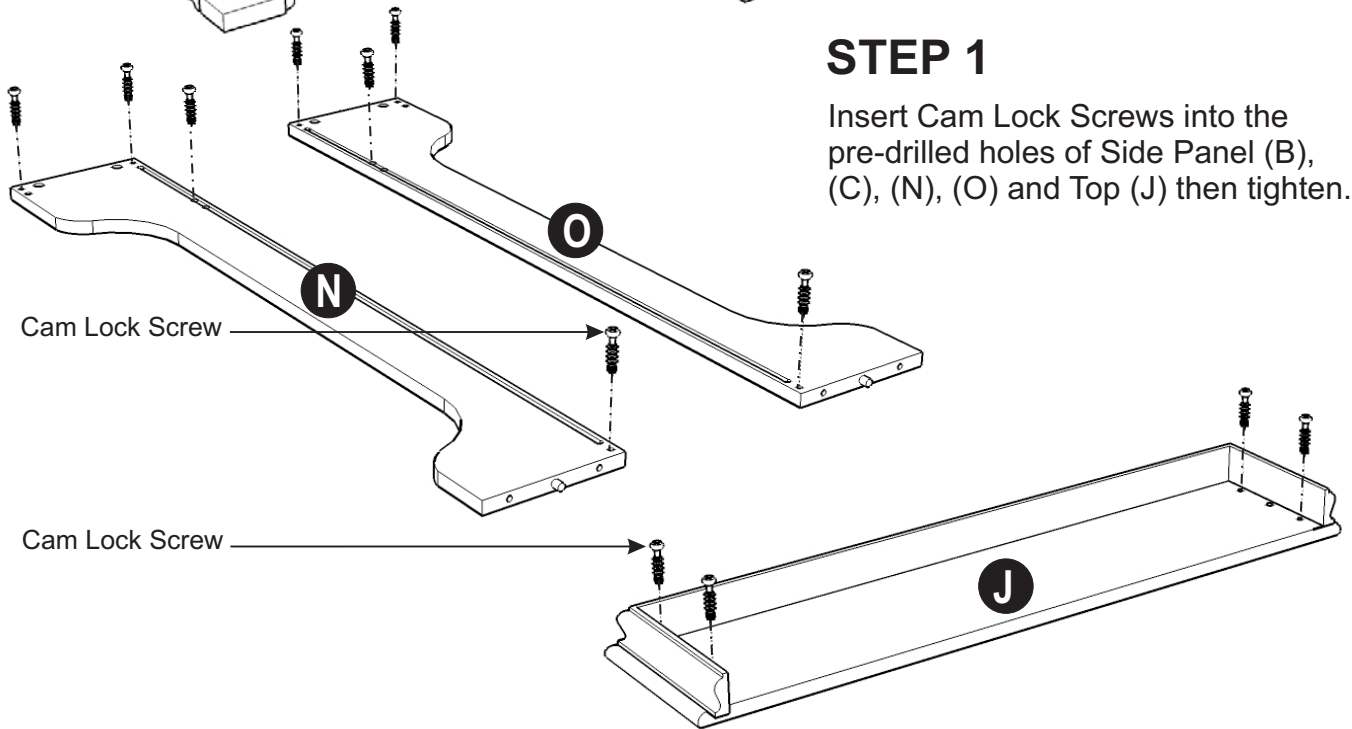
Do not tighten up all the screws until each part is properly assembled.

You should keep Hex Wrench in a safe place as you may need to tighten the Head Cap Bolts in the future.



## STEP 1

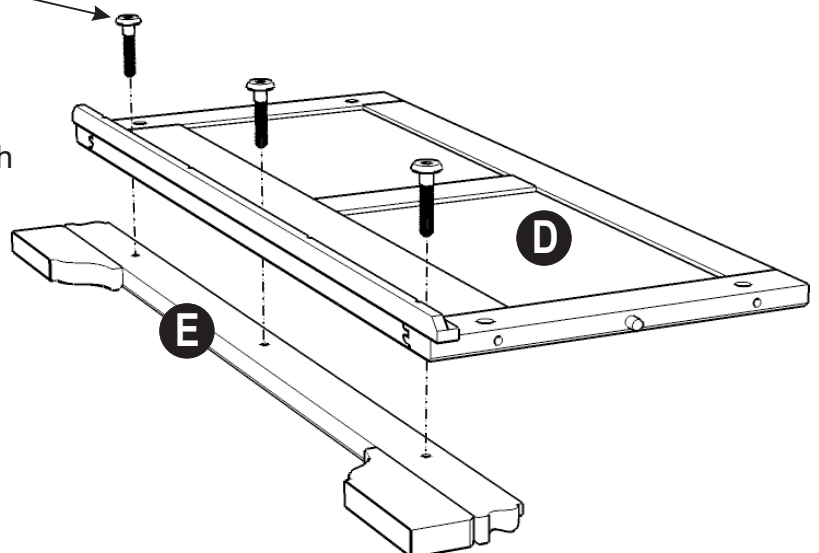
Insert Cam Lock Screws into the pre-drilled holes of Side Panel (B), (C), (N), (O) and Top (J) then tighten.

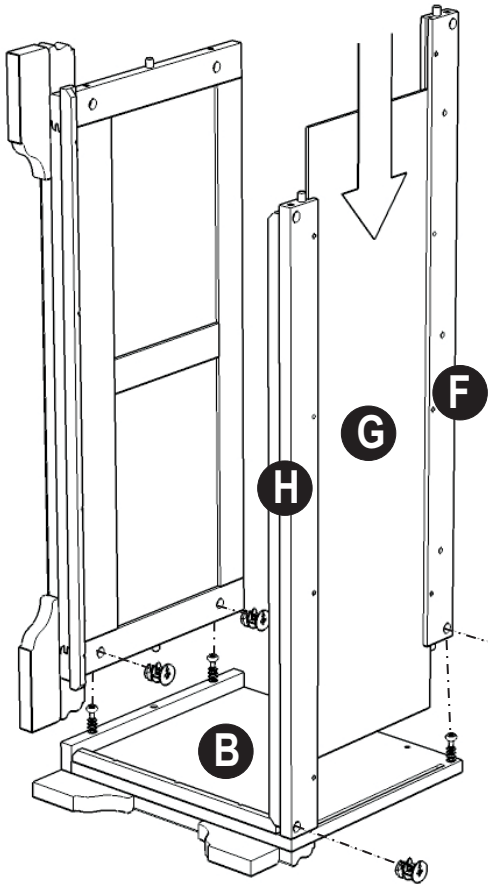


Head Cap Bolt

## STEP 2

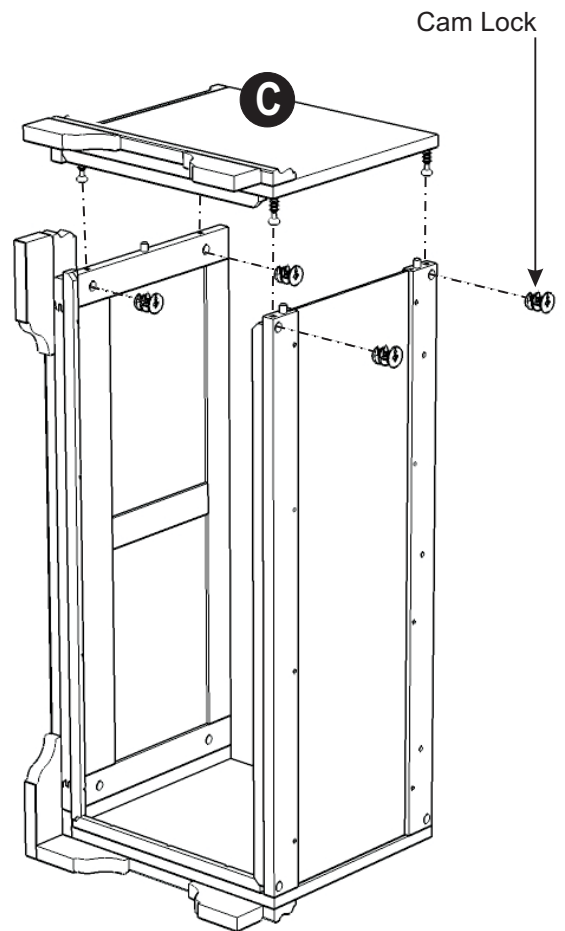
Attach Front Panel (D) to Plinth (E) with Head Cap Bolts.





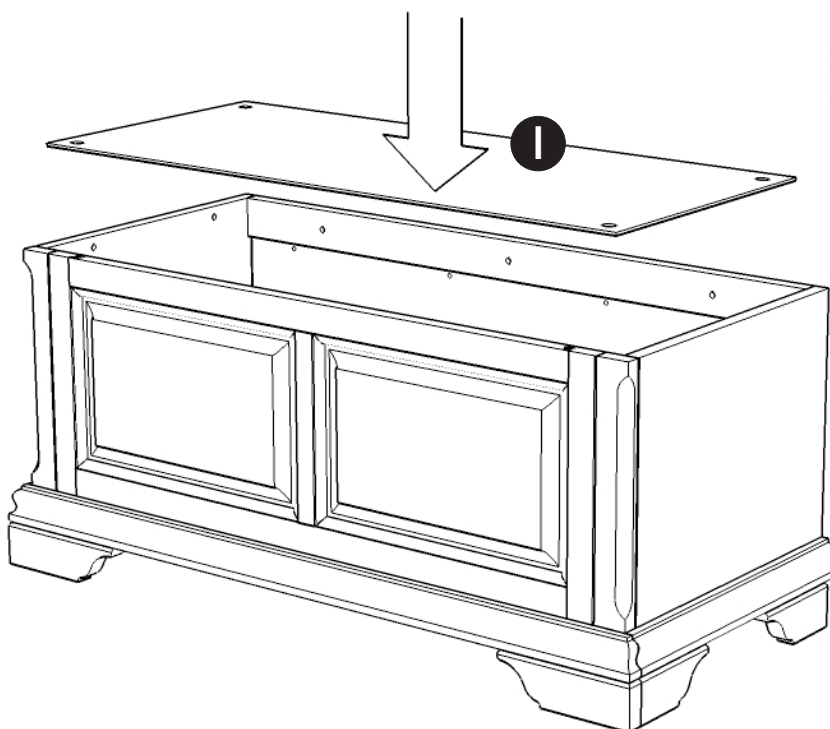
## STEP 3

Attach unit from Step 2 to Side Panel (B) using Cam Locks.  
Attach Back Rail (F) , (H) to Side Panel (B) with Cap Locks.  
Slide Back Panel (G) into place.



## STEP 4

Attach Side Panel (C) to the unit using Cap Locks.



## STEP 5

Insert Base (I) into place.

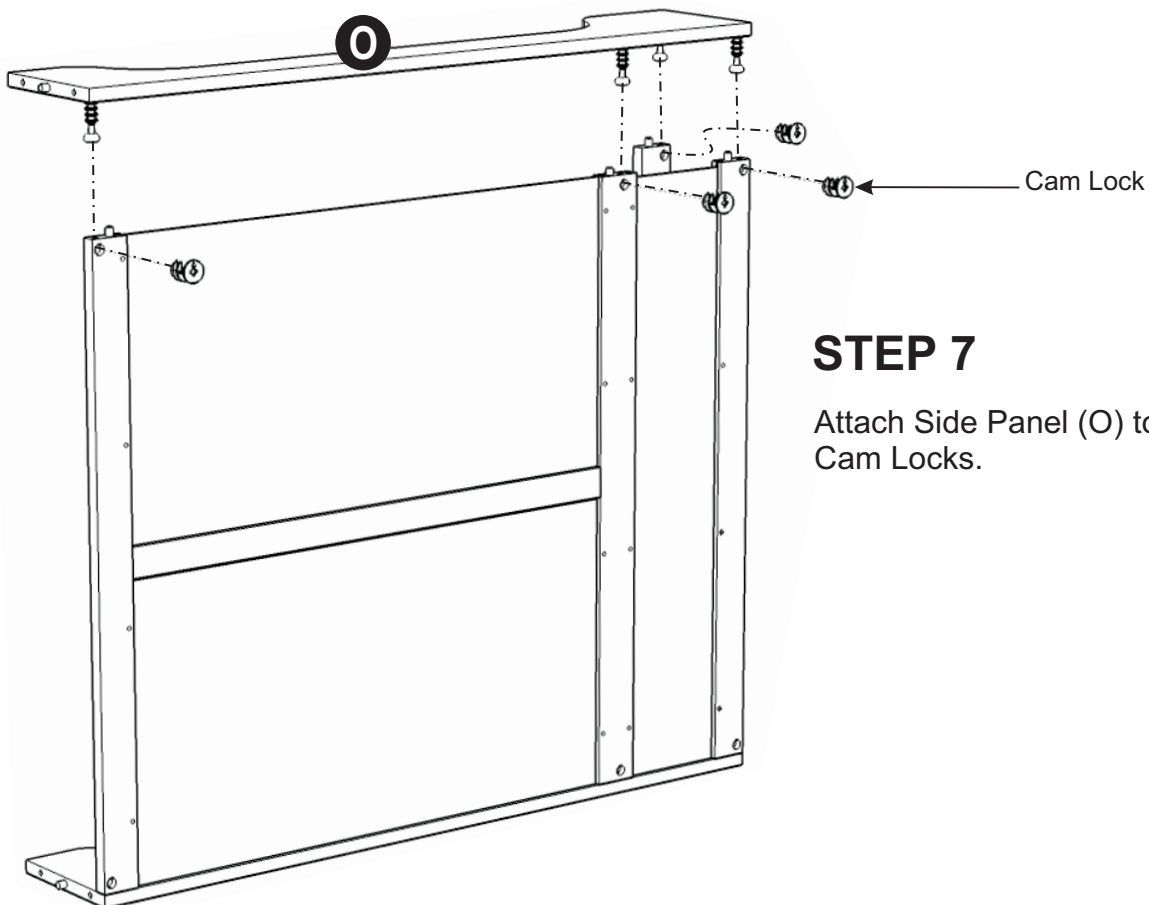
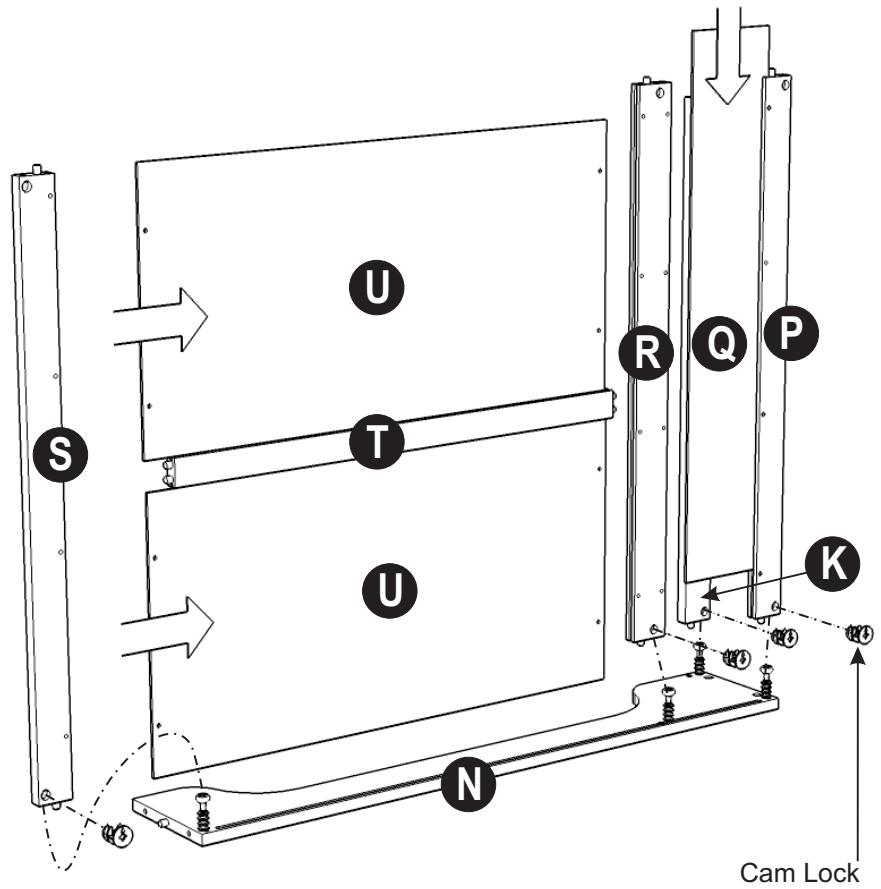
## STEP 6

Attach Back Stretcher (P), (R) Front Rail (K) to Side Panel (N) using Cam Locks.

Slide Back Panel (Q) to unit.

Attach Back Rail (T) to Back Stretcher (R) then slide Back Panels (U) into place.

Attach Back Stretcher (S) to unit using Cam Lock.



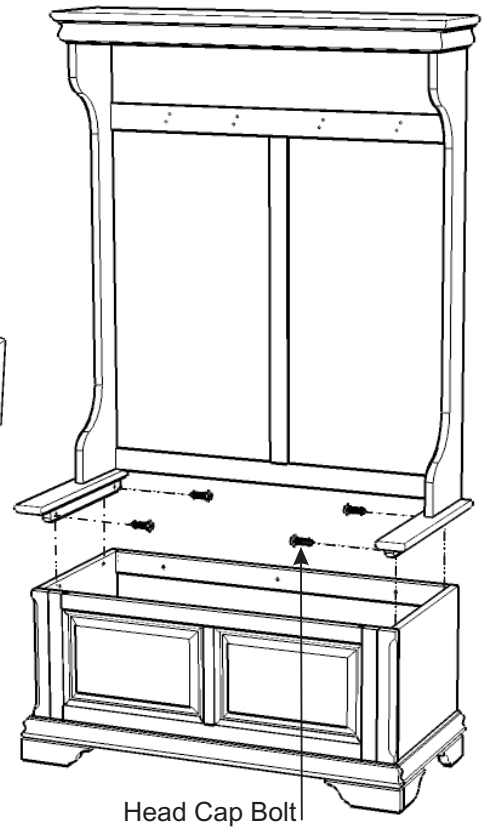
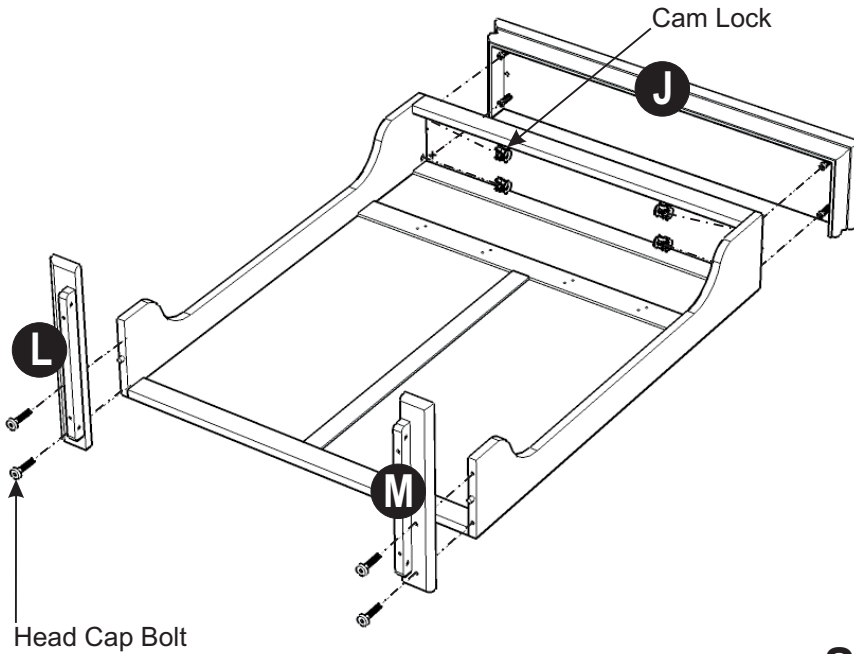
## STEP 7

Attach Side Panel (O) to unit using Cam Locks.

## STEP 8

Attach Arm (L) , (M) to unit with Head Cap Bolts.

Attach Top (J) to unit using Cam Locks.



## STEP 9

Place the Top unit onto the Base Unit with Head Cap Bolts.

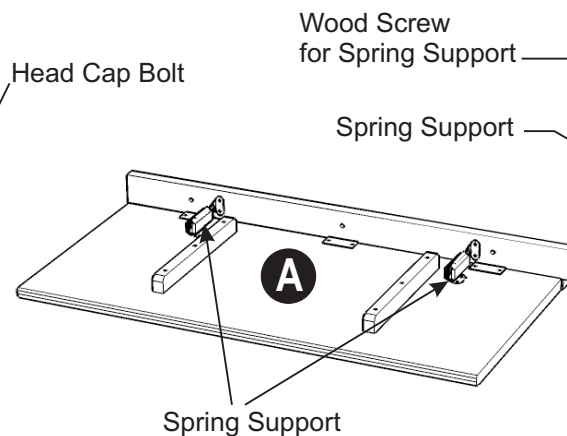
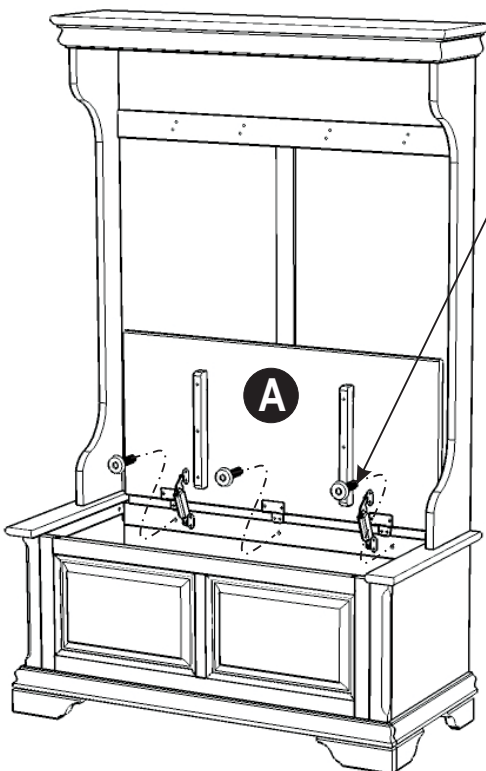
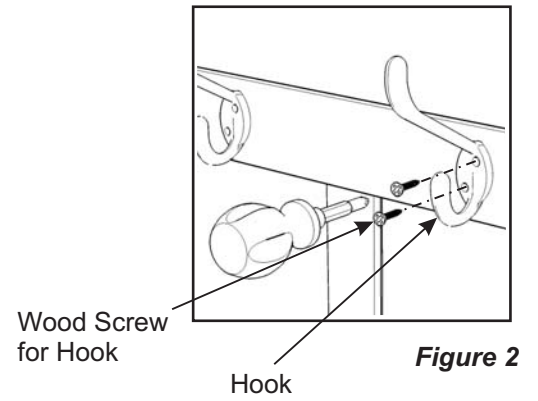
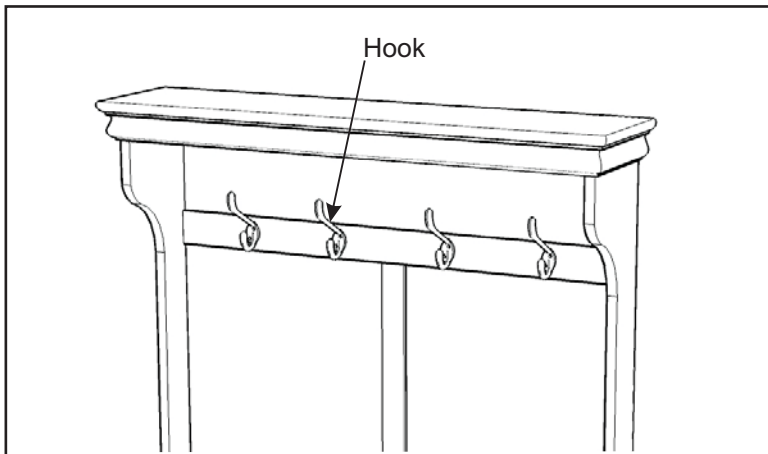


Figure 1

## STEP 10

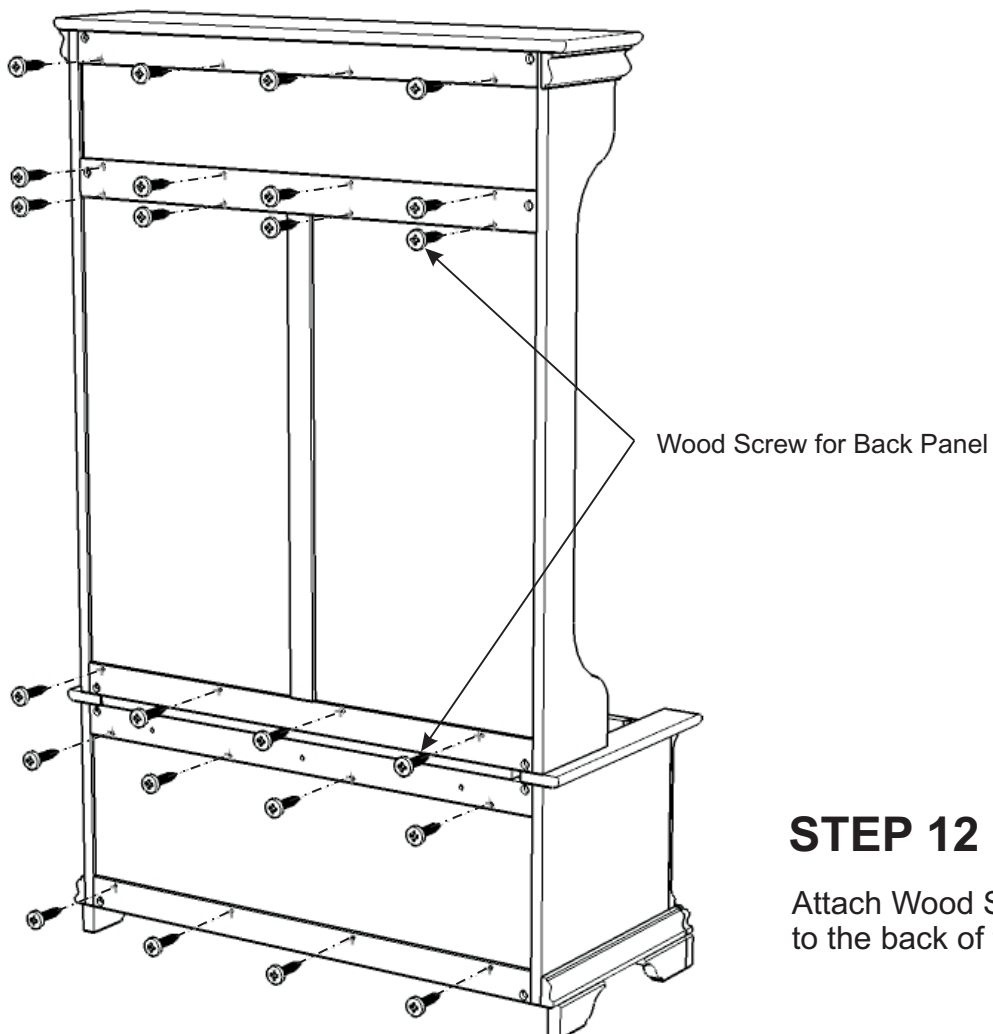
Place Seat (A) upside down on a soft cloth then attach Spring Support to the Seat (A) with Wood Screws. (see Figure 1)

Attach the Seat (A) to the Base unit with Head Cap Bolts.



## STEP 11

Attach Hooks to the top of unit with Wood Screws for Hooks.  
(see Figure 2)



## STEP 12

Attach Wood Screws for Back Panel to the back of the unit.