

88 5536 131 City Chic Pier Unit

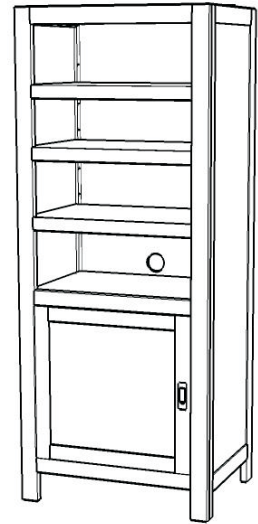
IMPORTANT NOTE

Carefully remove all the parts from the carton and put them individually on a soft cloth to prevent scratches or other damages occurring to the wood parts.

We have taken great care in the design of this product and request that you carefully and strictly follow our assembly instructions to ensure a completed product as it was designed.

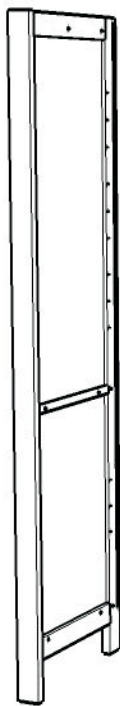


Casual Attire For Today's Home

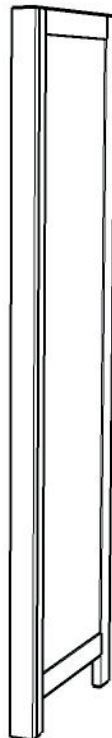


Part List

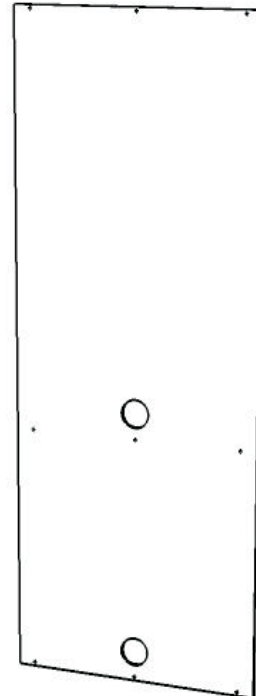
B.
Side Panel
1 pc.



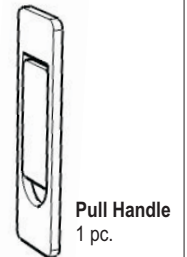
C.
Side Panel
1 pc.



D.
Back Panel
1 pc.



Hardware List



For assembly see instructions in carton 88 5536 132

Tools required for assembly : Phillips screwdriver

Home Styles Consumer Assistance Line 888-680-7460 and 877-831-0319
servicedesk@homestyles-furniture.com

88 5536 132

City Chic

Pier Unit

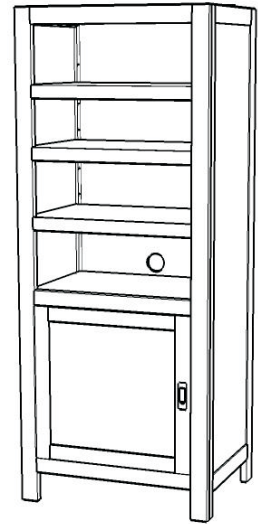
IMPORTANT NOTE

Carefully remove all the parts from the carton and put them individually on a soft cloth to prevent scratches or other damages occurring to the wood parts.

We have taken great care in the design of this product and request that you carefully and strictly follow our assembly instructions to ensure a completed product as it was designed.



Casual Attire For Today's Home



Part List



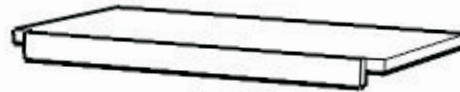
A.
Top
1 pc.



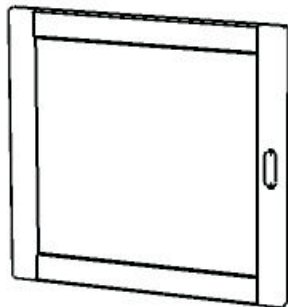
E.
Base
1 pc.



F.
Fixed Shelf
1 pc.



G.
Shelf
3 pcs.



H.
Door
1 pc.



I.
Shelf
1 pc.

Also need the following from carton 88 5536 131 :

Part List in carton 88 5536 131

Side Panel (B)	1 pc.
Side Panel (C)	1 pc.
Back Panel (D)	1 pc.

Hardware List in carton 88 5536 131

Cam Lock Screw	9 pcs.
Cam Lock	9 pcs.
Head Cap Bolt	7 pcs.
Adjustable Pin	17 pcs.
Pull Handle	1 pc.
Machine Screw for handle	2 pcs.
Wood Screw for hinge	5 pcs.
Wood Screw for Back Panel	10 pcs.

Tools required for assembly : **Phillips** screwdriver

Home Styles Consumer Assistance Line 888-680-7460 and 877-831-0319
servicedesk@homestyles-furniture.com

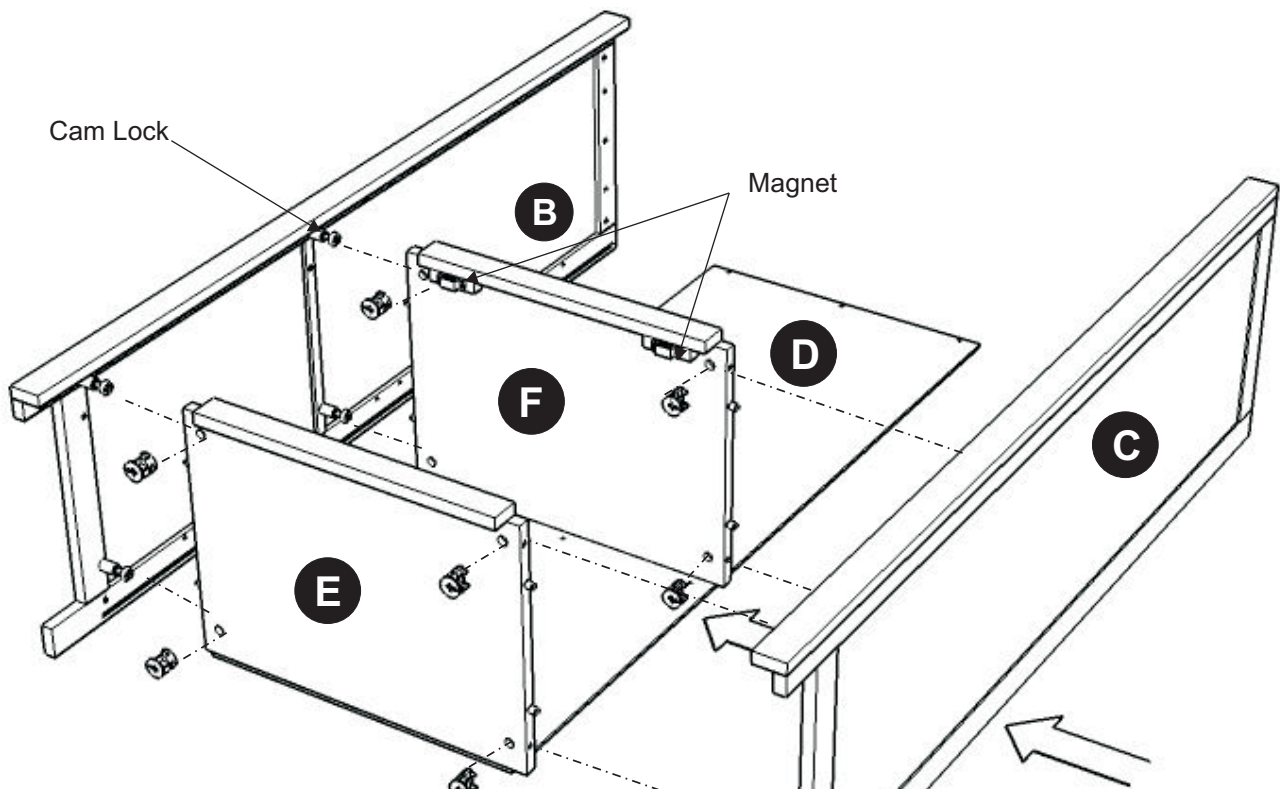
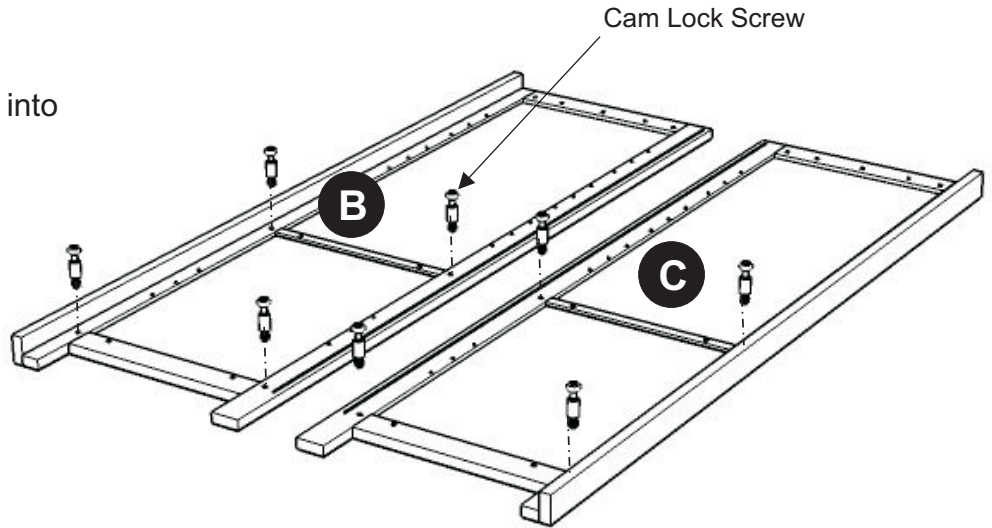
IMPORTANT

Do not tighten up all screws until each part is properly assembled.

You should keep Hex Wrench in a safe place as you may need to tighten up the Head Cap Bolts in the future.

STEP 1

Insert Cam Lock Screws into the pre-drilled holes of Side Panel (B) and (C).



STEP 2

Attach Fixed Shelf (F), and Base (E) to Side Panel (B) with Cam Locks (see Figure 1).

Slide Back Panel (D) into place.

Attach Side Panel (C) to the unit with Cam Locks.

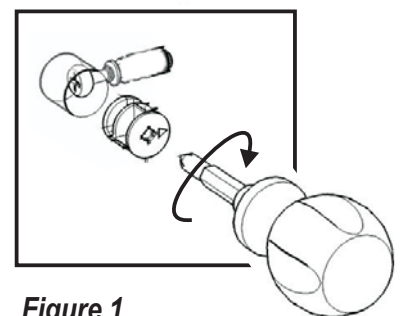


Figure 1

STEP 3

Turn the unit to its upright position.

Place Top (A) onto the unit with Head Cap Bolts and Cam Locks.

Note: The height of Top (A) can be adjusted slightly when tightening the Head Cap Bolts so that Top (A) is flush with the Side Panels.

Attach Door (H) to the unit by attaching the hinges to the side panel with Wood Screws (see Figure 2).

Customer Option:

The door can be attached on the unit so that it opens either to the left or to the right.

Attach Pull Handle to the door, using machine Screws (see Figure 3).

Insert Adjustable Pins into side panels at the desired level.

Place Shelves (G) and (I) into position.

Wood Screw
(for hinge)

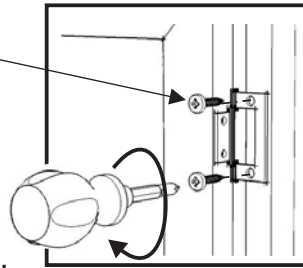
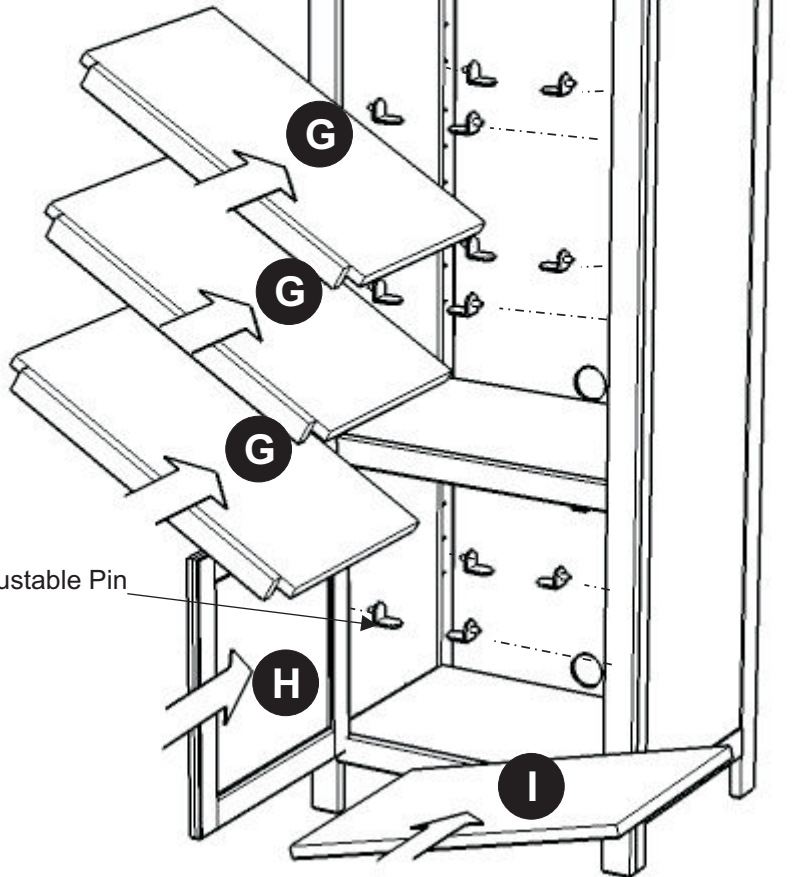
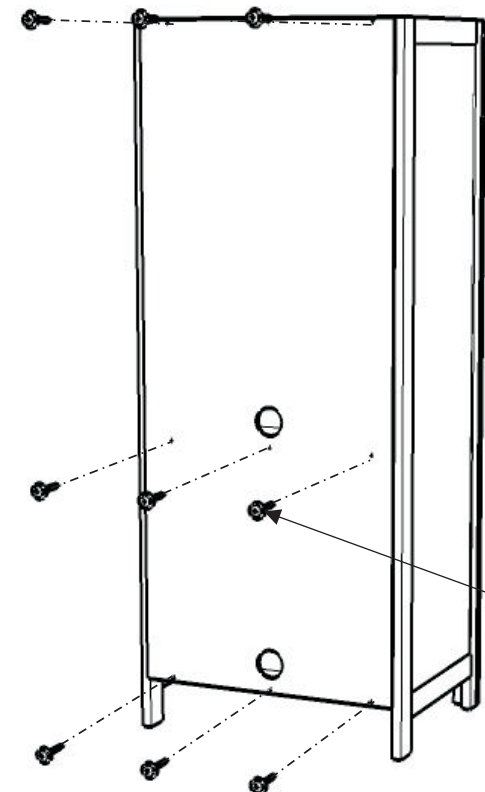


Figure 2



Adjustable Pin



Wood Screw
(for back panel)

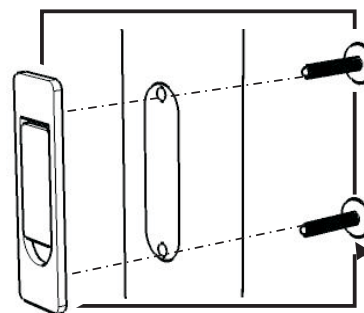


Figure 3

Machine Screw

STEP 4

Insert 9X Wood Screws into the pre-drilled holes of back panel.