

88 5532 17

Hanover

Corner Lap Top Desk

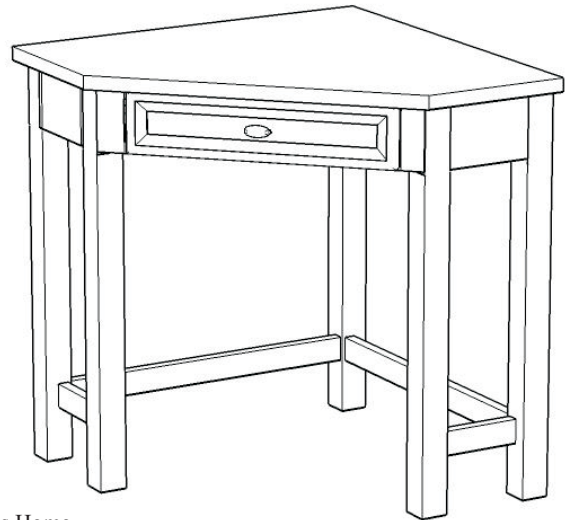
IMPORTANT NOTE

Carefully remove all the parts from the carton and put them individually on a soft cloth to prevent scratches or other damages occurring to the wood parts.

We have taken great care in the design of this product and request that you carefully and strictly follow our assembly instructions to ensure a completed product as it was designed.



Casual Attire For Today's Home



PART LIST



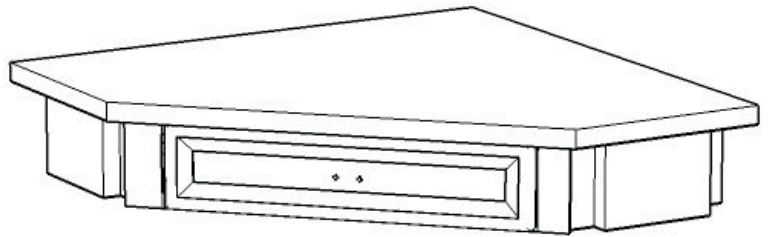
**B.
Leg**
1 pc.



**C.
Leg**
1 pc.



**D.
Leg**
3 pcs.



**A.
Top Unit**
1 pc.



**E.
Stretcher**
2 pcs.



**F.
Stretcher**
2 pcs.

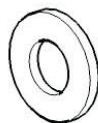
HARDWARE LIST



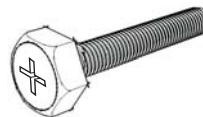
Key Wrench
1 pc.



Spring Washer
10 pcs. (+1 extra)



Flat Washer
10 pcs. (+1 extra)



Bolt
10 pcs. (+1 extra)



Wood Screw
8 pcs.

Tools Required For Assembly : Phillips screwdriver

Home Styles Consumer Assistance Line 888-680-7460 and 877-831-0319
servicedesk@homestyles-furniture.com

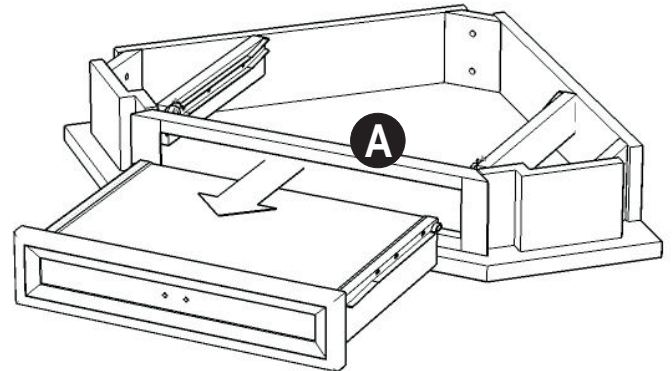
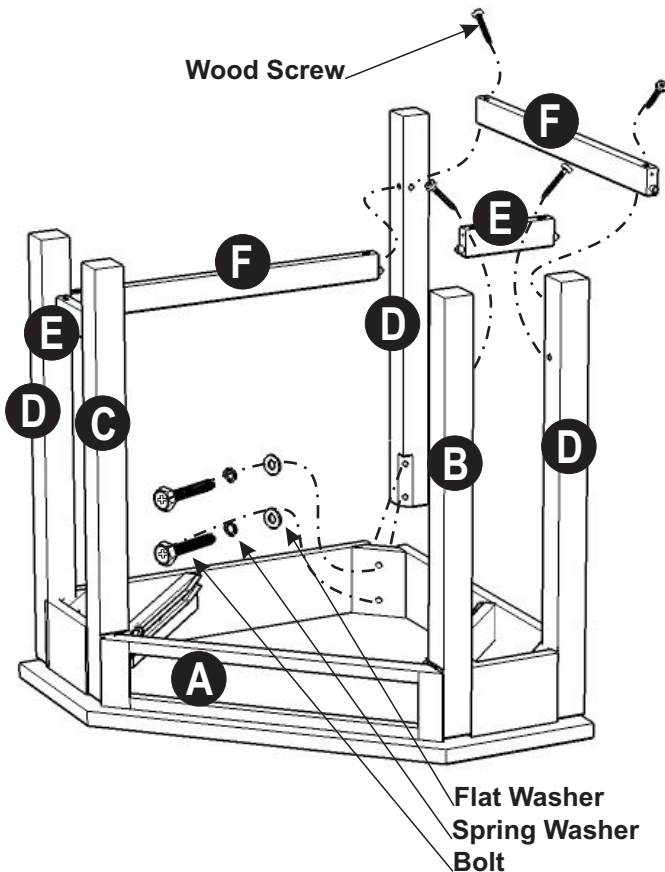
Assembly Instruction

IMPORTANT

Do not tighten up all the screws until each part is properly assembled. You should keep Key Wrench in a safe place as you may need to tighten up the Head Cap Bolts in the future.

STEP 1

Turn Top (A) upside down and place it on a soft cloth. Remove the drawer.



STEP 2

Attach Legs (B), (C) and (D) to Top (A) with Flat Washers, Spring Washers and Bolts, then tighten the bolts half way (see Figure 1).

Attach Stretcher (E) and (F) to the unit with Wood Screws.

Tighten up all bolts.

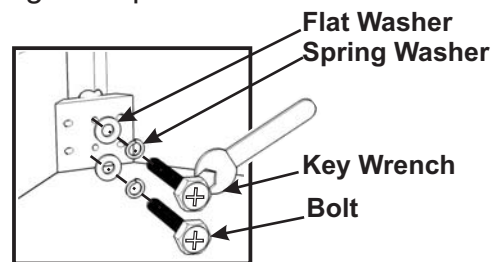


Figure 1

STEP 3

Turn the unit over to its' upright position.

Remove the Pull Handle that is installed on the inside of drawer and re-install it on the outside of the drawer (see Figure 2).

Slide the drawer into position.

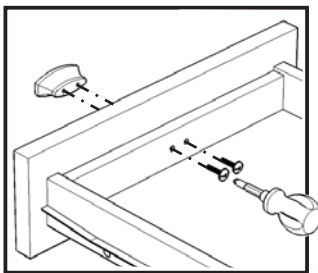


Figure 2

