

88 5532 01

The Hanover Mobile File

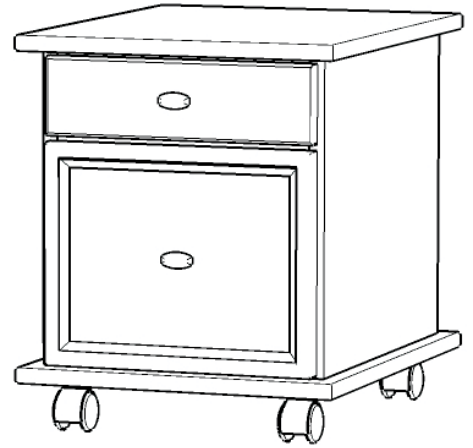
IMPORTANT NOTE

Carefully remove all the parts from the carton and put them individually on a soft cloth to prevent scratches or other damages occurring to the wood parts.

We have taken great care in the design of this product and request that you carefully and strictly follow our assembly instructions to ensure a completed product as it was designed.



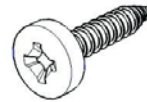
Casual Attire For Today's Home



HARDWARE LIST



Caster
4 pcs.



Wood Screw
for Caster
16 pcs. (+2 extra)

Assembly Instructions

IMPORTANT

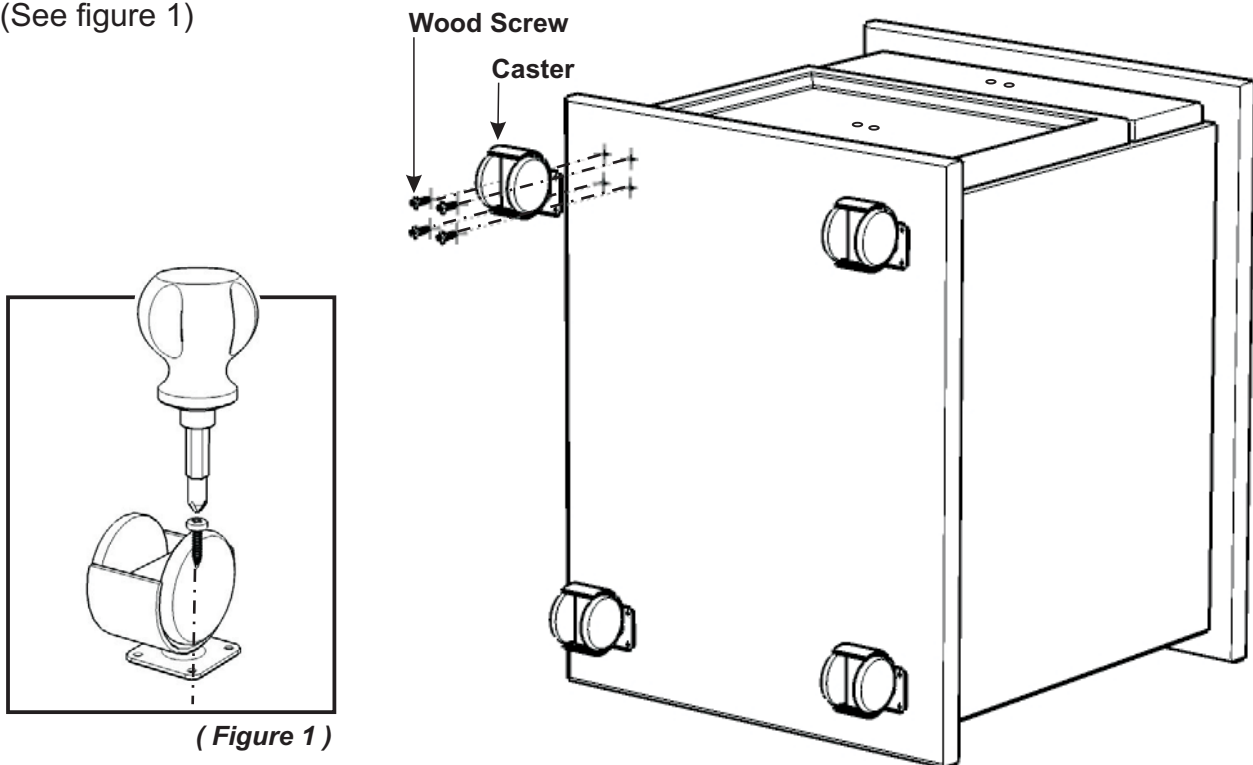
Do not tighten up all the screws until each part is properly assembled.

You should keep Hex Wrench in a safe place as you may need to tighten up the Head Cap Bolts in the future.

STEP 1

Turn the unit upside down and place it on the soft cloth.

Attach the Caster (4X) underneath unit with wood screws.
(See figure 1)



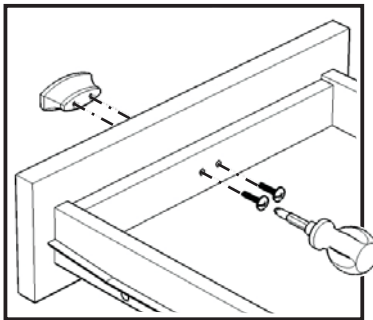
(Figure 1)

Tools Required For Assembly : Phillips screwdriver
Home Styles Consumer Assistance Line 888-680-7460 and 877-831-0319
servicedesk@homestyles-furniture.com

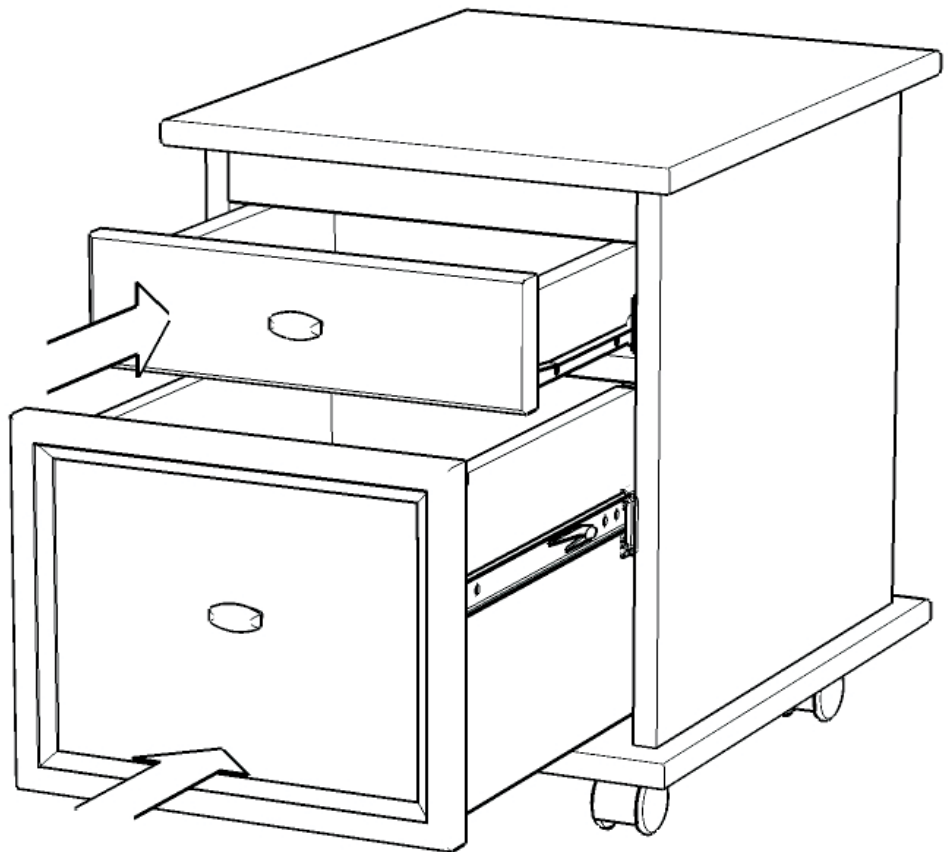
STEP 2

Remove the Pull Handles that are installed on the inside of the drawers and re-install them on the outside of the drawer. (See figure 2)

Slide Drawers into position.



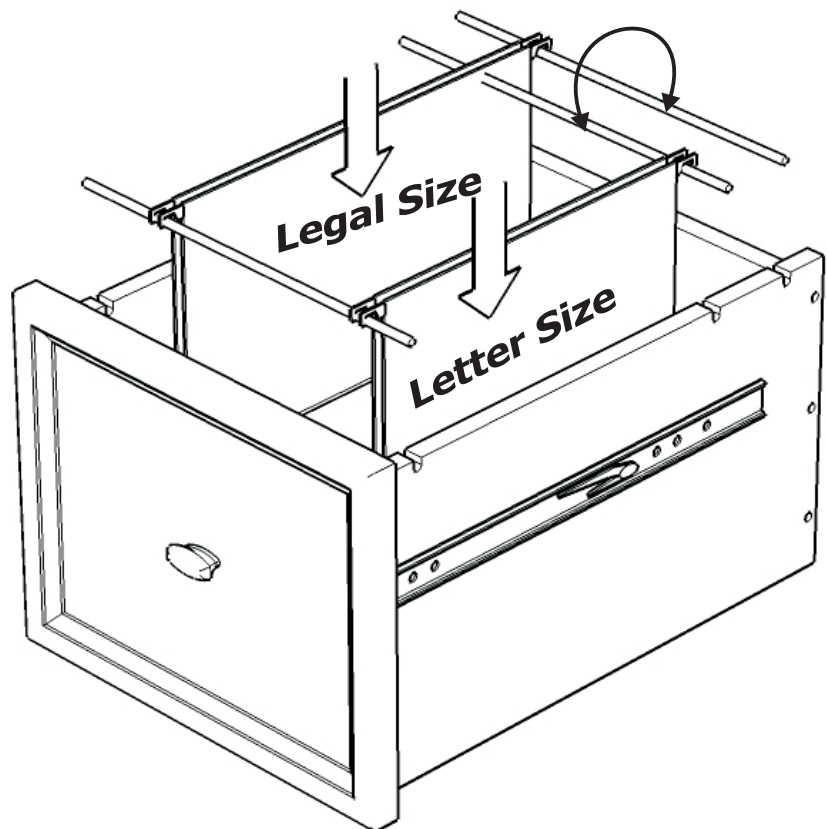
(Figure 2)



STEP 3

Remove the tape holding the Metal Strips in place.

You can adjust the Metal Strip for letter size or legal size file as shown.



Note:

If both drawers are fully loaded and opened at the same time the unit may tip forward. Do not open both drawers at the same time.