

88 5531 89

Bedford Counter Stool

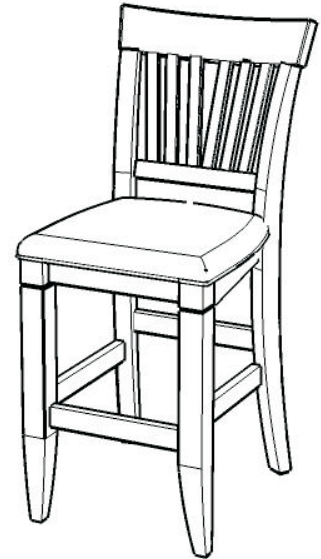
IMPORTANT NOTE

Carefully remove all the parts from the carton and put them individually on a soft cloth to prevent scratches or other damages occurring to the wood parts.

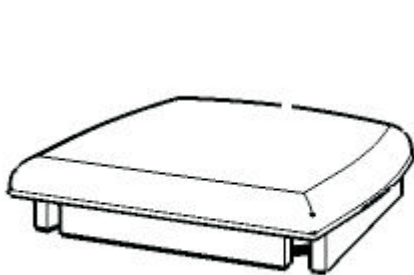
We have taken great care in the design of this product and request that you carefully and strictly follow our assembly instructions to ensure a completed product as it was designed.



Casual Attire For Today's Home



PART LIST



A.
Seat
1 pc.



B.
Leg
1 pc.



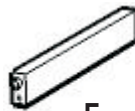
C.
Leg
1 pc.



D.
Back Frame
1 pc.



E.
Stretcher
1 pc.



F.
Stretcher
1 pc.



G.
Stretcher
1 pc.

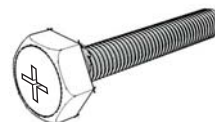
HARDWARE LIST



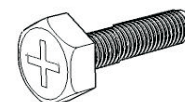
Key Wrench
1 pc.



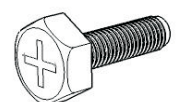
Spring Washer
9 pcs. (+1 extra)



Bolt (long)
4 pcs. (+1 extra)



Bolt (middle)
4 pcs. (+1 extra)



Bolt (short)
1 pc. (+1 extra)



Wood Screw
6 pcs. (+1 extra)



Flat Washer
9 pcs. (+1 extra)

Home Styles Consumer Assistance Line 888-680-7460 and 877-831-0319
servicedesk@homestyles-furniture.com

Assembly Instructions

IMPORTANT

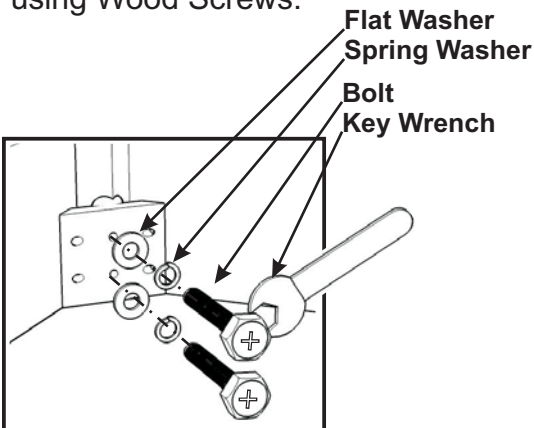
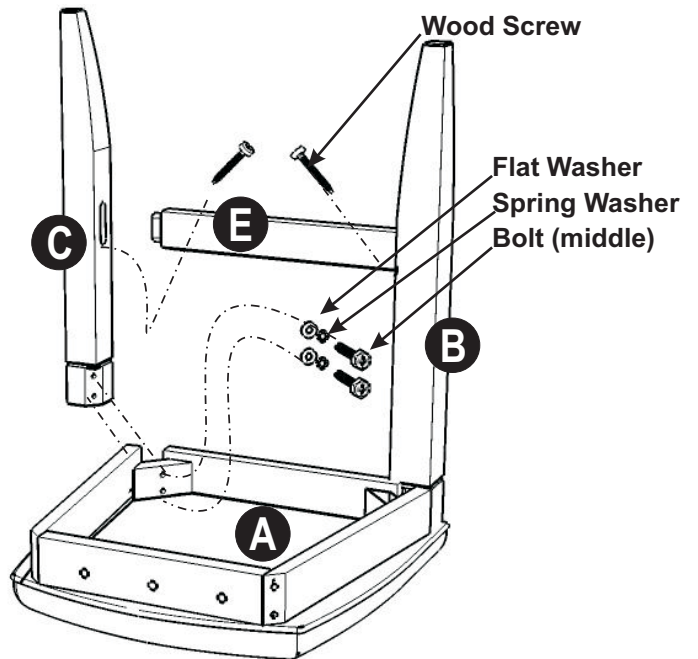
* You should keep Key Wrench in a safe place as you may need to tighten up the Bolts in the future.

STEP 1

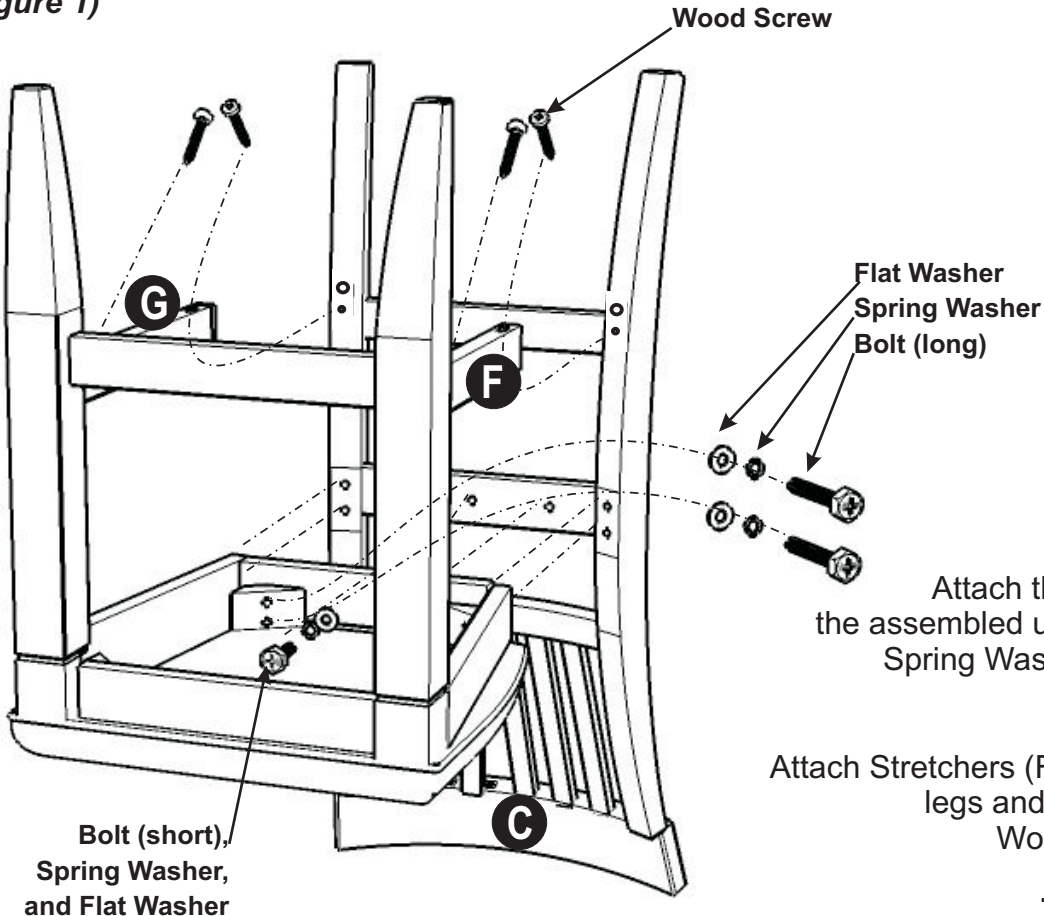
Attach Legs (B) and (C) to Seat (A) with Flat Washers, Spring Washers and Bolts (middle).

Tighten Bolts only half way (see Figure 1).

Attach Stretcher (E) in between Legs (B) and (C) using Wood Screws.



(Figure 1)



STEP 2

Attach the Back Frame (D) to the assembled unit with Flat Washers, Spring Washers, Bolt (short) and Bolts (long).

Attach Stretchers (F) and (G) in between legs and Back Frame (D) with Wood Screws as shown.

Tighten up all Bolts.