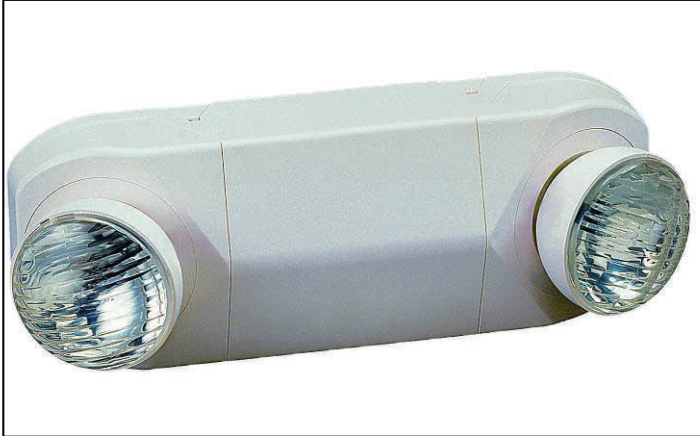


REL5 — Low Maintenance Emergency Light



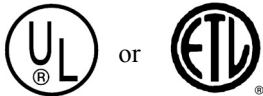
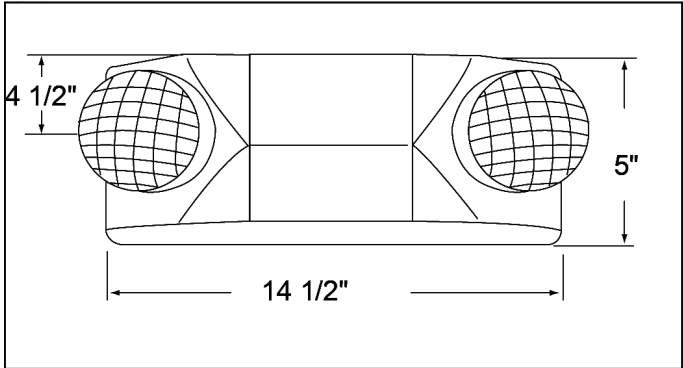
REL5WH Emergency Light

Features:

- Completely self contained.
- Fully automatic operation.
- Test switch.
- Lead-Calcium Battery (6V 7A) delivers more than 180 minutes capacity to emergency lamps and any remote light heads (up to 6V 10.8W), without additional battery.
- Solid state charger.
- Meets NEC, OSHA, NAPA life safety codes.
- Automatic low voltage disconnect protects battery from deep discharge.
- 2 x 6V 5.4W DC T5 wedge base lamps for emergency mode.
- Flame retardant, high-impact thermoplastic construction.
- Charge rate/power-on LED indicator light.
- 120V / 277V
- UL, ETL listed.
- 10 year expected battery life.
- Operating temperature range: 14° F (-10° C) to 104° F (40° C)
- Limited 5 year warranty.
- Damp location listed.

Operation:

When normal utility power fails, an internal solid state transfer switch automatically connects the internal battery to the two lamp leads, illuminating them for a minimum of 90 minutes. When utility power is restored, the battery disconnects from the lamps. The battery is recharged by fully automatic, solid state, two-rate charge, which includes current limiting and temperature compensation to insure an optimum recharging rate. The battery, even for a fully discharged battery, will then be recharged within 12 hours.



Project:
Contact:
Location:
Fixture Type:

Quantity	Remarks