

# New Portable Hand Sinks

For the large community outdoor function **when handwashing is a must.**  
Shipped complete with removable fresh and waste water tanks.



Also available in two (PHS-2) and three (PHS-3) compartment sinks.



## phs-1

<b>Overall Dimension</b> (W x D x H)	34.375 x 25.25 x 47.75"	<b>Actual Weight</b> (LBS)	160
<b>Water Pump</b>	120 Volt	<b>Water Heater</b>	120 Volt
		<b>Sink Compartments</b>	1

- Stainless steel construction
- Lockable Access door
- 120 Volt water heater (9.5 litre) 2 Imp. Gallons
- All critical components NSF listed
- Fully assembled & crated
- CSA, UL or equal approved
- 120 volt water pump
- Available with 2 (phs2) & 3 (phs3) compartments
- 2 x 20 litre (5 gallon) removable fresh water tanks
- 2 x 30 litre (7.5 gallon) removable waste water tanks
- Backsplash w/soap & towel dispensers
- 12 foot cord with standard wall plug
- City water and drain hookups

CROWN VERITY INC.



37 Adams Boulevard, Brantford, Ontario, Canada N3S 7V8  
tel 519.751.1800 fax 519.751.1802 e-mail info@crowverity.com web www.crowverity.com

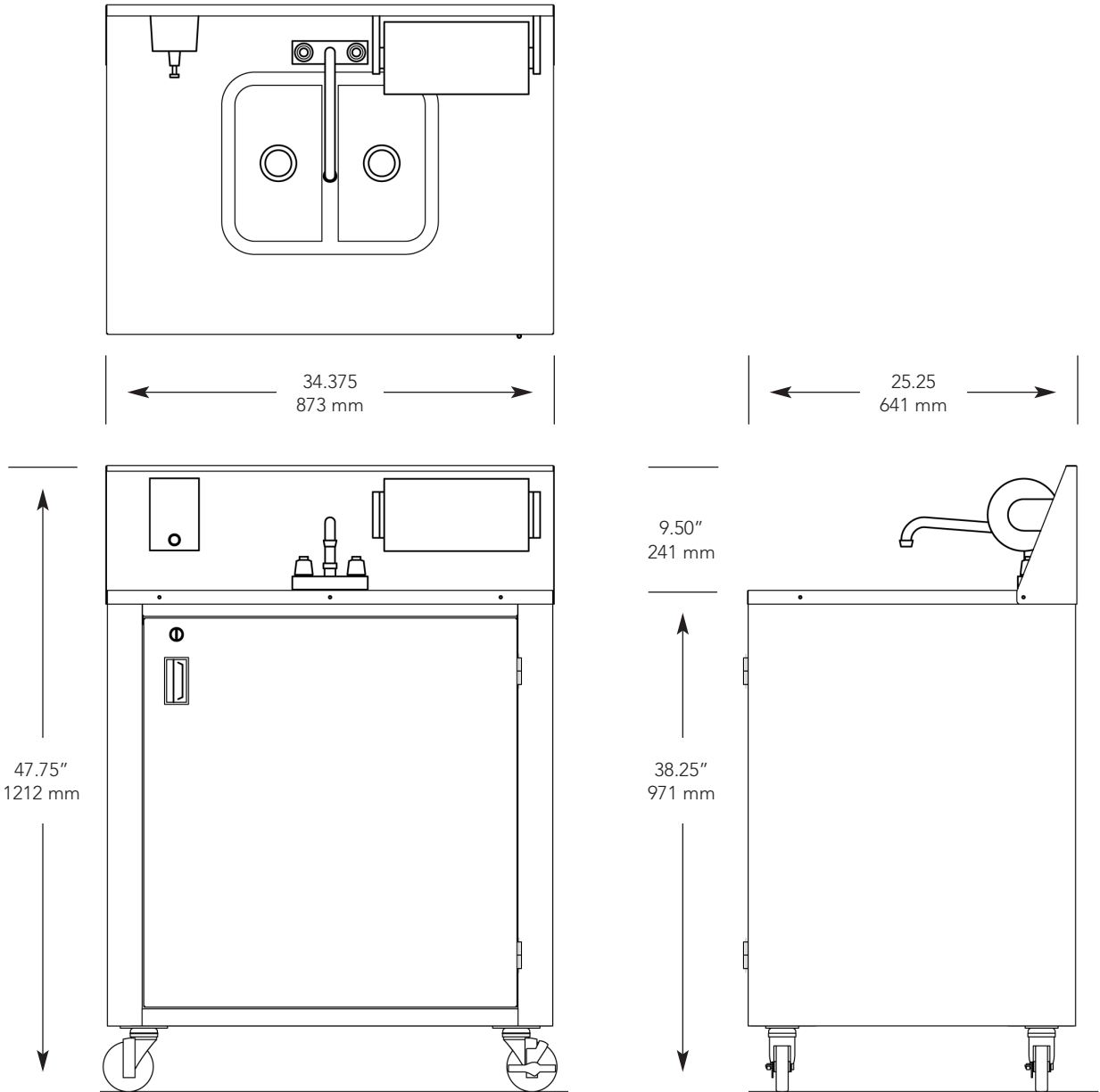
# Portable Hand Sinks

## Models:

phs-1 one compartment

phs-2 two compartments

phs-3 three compartments



CROWN VERITY INC.



37 Adams Boulevard, Brantford, Ontario, Canada N3S 7V8  
tel 519.751.1800 fax 519.751.1802 e-mail info@crowverity.com web www.crowverity.com